



PRODUCT PORTFOLIO

2022

UK BASED CUSTOMER SUPPORT LINE:

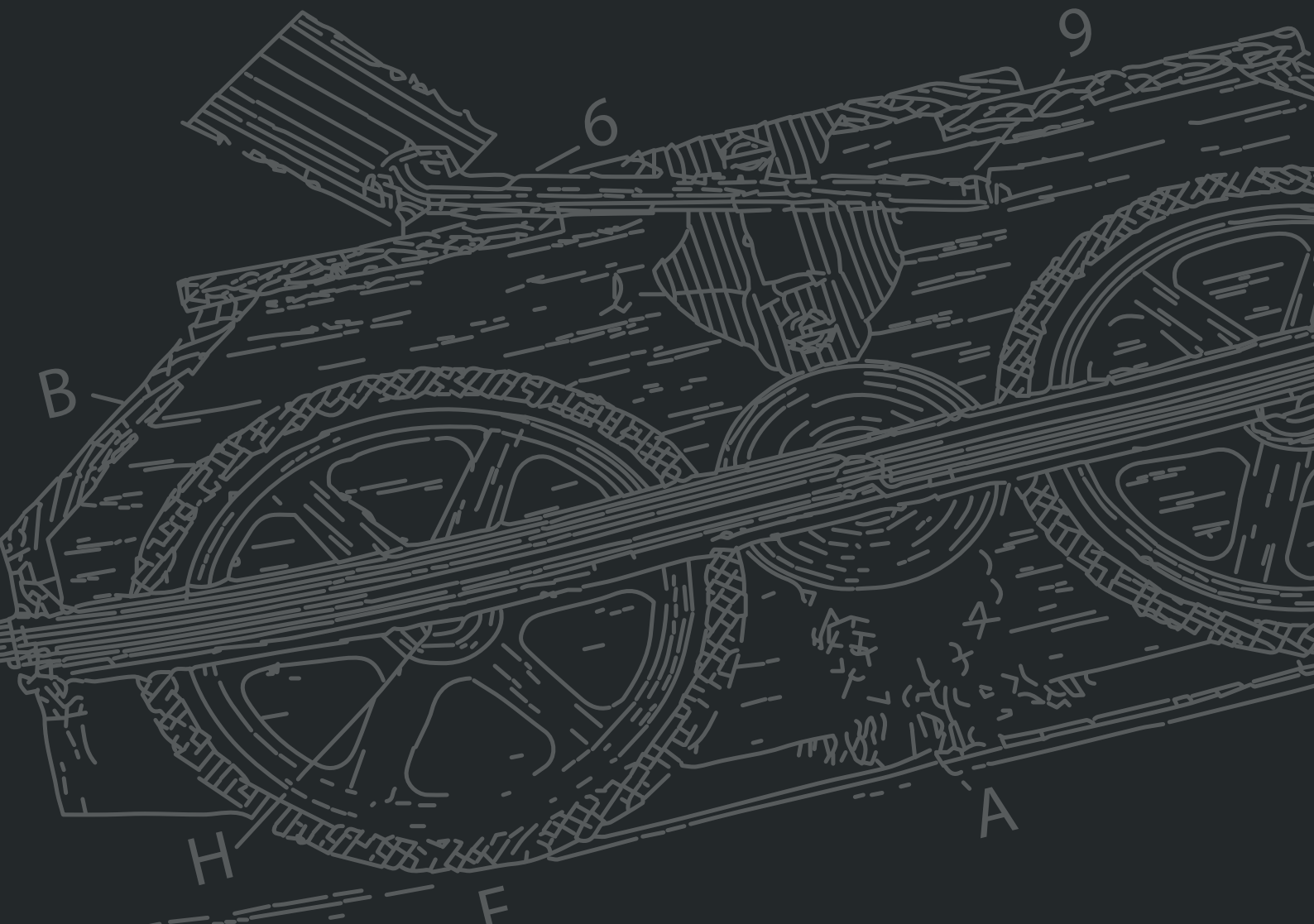
01473 271 272

KEEP IN TOUCH

@ewbankproducts
www.ewbank.co.uk

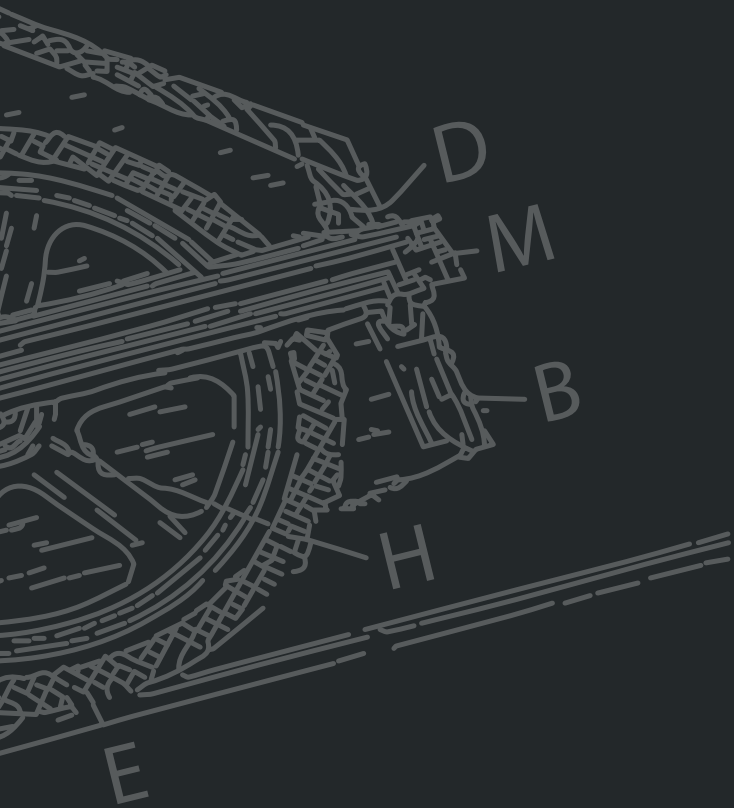


FIG: 2.



CONTENTS

Our Story	4
Vacuum Cleaners	5 - 13
Floor Cleaners	14 - 16
Steam Cleaners	17
Sweepers / Shampooers / Mops	18 - 19
Pressure Washers	20 - 21
Backpack Fogging Machine	22
Consumables	23





CLEANING HOMES SINCE 1880



1880

THE BEGINNING

Under the name Entwisle & Kenyon Limited, we started to manufacture manual washing machines and mangles.



1889

EWBANK BORN

Our first Ewbank Carpet Sweeper is sold. The name came from the Ewbank area of Accrington where our factory was located.



1945

MOVING ON

By the end of World War II, we became a major manufacturer selling in the UK and internationally.



2022

EWBANK TODAY

We still manufacture carpet sweepers along with floor polishers, vacuum cleaners, steam cleaners, pressure washers and foggers.

AIRSTORM 1

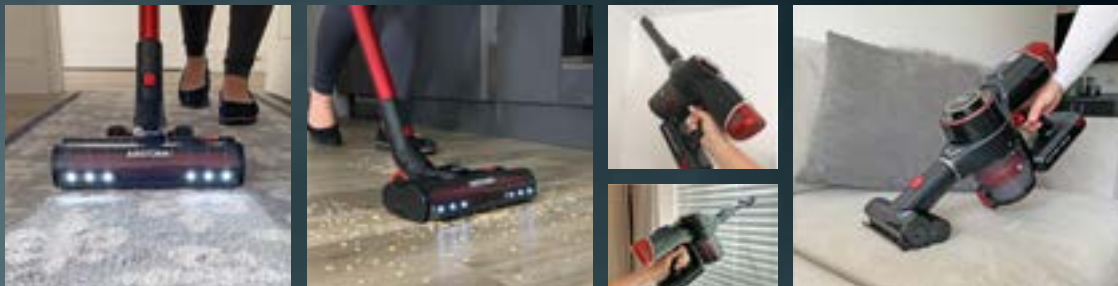
2-IN-1 PET CORDLESS VACUUM CLEANER

PRODUCT CODE EW3040

Combining Brushless DC Motor and Auto Dust Sensor technology to provide the **most powerful and efficient Ewbank cordless vacuum ever.**

- 25.2V Li-ion battery
- 35 minute max. run time
- 5 speeds with auto dust sensor
- 0.6L dust container
- Brushless DC motor
- HEPA filtration
- Vacuum (KPa): 23
- Suction power (W): 140
- 5 hour charge time
- LED display control panel
- Dust tracking floorhead lights
- Wall mounted charging dock
- Noise Level: 75dB
- Net Weight: 2.6kg
- Accessories include motorised floor head, telescopic crevice tool, 2-in-1 dusting and upholstery brush and motorised turbo pet brush

INCLUDES



KEY FEATURES



- 1 Dust volume indicator**
- 2 Product maintenance indicators**
- 3 Power level indicator**
- 4 5 speed settings**
- 5 AUTO mode**

In AUTO mode the vacuum **uses sensors to detect the amount of dust and debris** travelling through the tube, which then **automatically adjusts the amount of power required.**



SURGEPLUS PET

2-IN-1 CORDLESS VACUUM CLEANER

PRODUCT CODE EW3032

The lightweight and stylish **SURGEPLUS** 2-in-1 Pet Cordless Vacuum Cleaner offers superb cleaning performance with a run time of up to 55 minutes.

- 22.2V Li-ion battery
- 55 minute max run time
- 4.5 hour charge time
- 0.5L dust container
- Brushless DC motor and HEPA filtration
- Wall mounted charging dock
- Accessories include motorised floor head, 2-in-1 crevice tool (hard and soft surface) and turbo pet brush

INCLUDES

PET
TURBO
BRUSH



★★★★★

“I love how much pet hair it collects! It’s so lightweight and easy to manoeuvre, collecting every speck of hair.”

Customer review
SURGEAC PET 2-IN-1 CORDLESS VACUUM CLEANER

SURGEAC

2-IN-1 CORDED VACUUM CLEANER

PRODUCT CODE EW3021

The **SURGEAC** 2-in-1 Corded Vacuum Cleaner combines versatility and power to provide the ideal all-round cleaning appliance.

- 400W motor
- 0.5L dust container
- HEPA filtration
- 5m power cord
- Accessories: 2-in-1 crevice tool (hard and soft surface) and 2-in-1 tool (upholstery brush/soft brush)



★★★★★

“Brilliant little corded vac for the price. Great suction and easy to use and set up. It’s lightweight and easy to store.”

Customer review
SURGEAC 2-IN-1 CORDED VACUUM CLEANER

MOTION PET CYLINDER

BAGLESS VACUUM CLEANER

PRODUCT CODE EW3015

Packed with accessories and includes two different floor heads designed to optimise cleaning on both hard floor and carpet.

- 800W motor
- 2.5L dust container
- HEPA filtration
- 5m retractable power cord
- Accessories: POWERPLUS and PROGLIDE floor heads, 2-in-1 crevice tool (hard and soft surface), upholstery brush and pet turbo brush

INCLUDES

**PET
 TURBO
 BRUSH**



MOTION PET UPRIGHT

BAGLESS VACUUM CLEANER

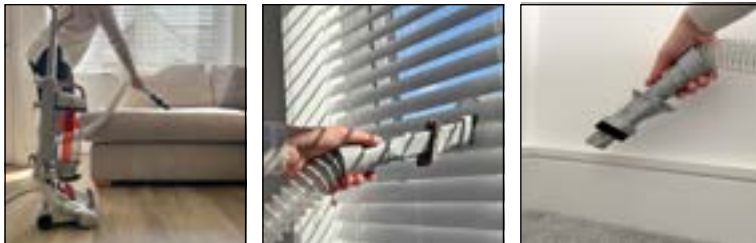
PRODUCT CODE EW3001

Lightweight and powerful, the **MOTION** Pet Upright is the perfect vacuum cleaner for a deep clean on all hard floors and carpets throughout the home.

- 700W motor
- 3L dust container
- HEPA filtration
- 9.3m power cord
- Easy handling with Air Swivel technology
- Accessories: 3-in-1 crevice tool, pet turbo brush

INCLUDES

PET
TURBO
BRUSH



Ewbank[®] commercial DV6

6L BAGLESS VACUUM CLEANER

PRODUCT CODE EW4001

The **DV6** bagless drum vacuum cleaner comes with a large 6 litre dust container, making it perfect for both domestic and office cleaning.

- 700W motor
- 6.0L dust container
- 1.5m hose
- 8m power cord
- High efficiency floor brush
- Accessories: 2-in-1 crevice tool, 1 x cloth bag



Ewbank[®] commercial **WDV15**

15L WET AND DRY VACUUM CLEANER

PRODUCT CODE EW5015

With a powerful 1200W motor and robust 15L plastic drum dirt container, the **WDV15** can be used both inside and outside on liquid spills as well as dry debris.

- 1200W motor
- 15L debris container
- 2m hose
- 8m power cord
- 3 part metal suction tubes
- Wet and dry floor head attachments
- 1 x HEPA cartridge filter
- 1 x Sponge filter for vacuuming large liquid spills
- Integrated power cord storage
- On-board tool storage
- Accessories: 2-in-1 crevice tool



2-IN-1 CORDED

VACUUM CLEANER

PRODUCT CODE EW0600 (VC600)

A powerful lightweight vacuum packed with all the great features you would expect on a larger model, plus it's easily converted into a handheld vacuum.

- 600W motor
- 0.5L dust container
- HEPA filtration
- 4m power cord
- Accessories: crevice tool



CHILLI 4 COMBI

VACUUM CLEANER

PRODUCT CODE EW0004 (HSVC4)

Quick to convert from an upright vacuum, the Chilli 4 easily becomes a powerful handheld vacuum suitable to clean all around the home.

- 800W motor
- 0.5L dust container
- HEPA filtration
- 7m power cord
- Accessories: Carry strap, upholstery brush, crevice tool with brush, pet turbo brush and flexible extension hose



INCLUDES

TURBO
BRUSH

UV-C 2-IN-1 VACUUM

BED & FABRIC SANITISER

PRODUCT CODE EW0400 (UV400)

Kills dust mite eggs and bacteria such as E-coli, streptococcus and MRSA to aid a healthy nights sleep.

- 400W motor
- UV-C light removes dust mites - chemical free cleaning
- Use separately as a normal vacuum cleaner
- Beater hits mattress at 3,000bpm releasing dust mites
- Reduces exposure to harmful dust, great for asthma sufferers
- Accessories: crevice tool, soft dusting brush and 2 extension tubes



★★★★★
Absolutely brilliant. Easy to use, good design. My mattress has never been so clean!
 Customer review
UV-C 2-IN-1 BED VACUUM & FABRIC SANITISER

HYDROH1

2-IN-1 CORDLESS HARD FLOOR CLEANER

PRODUCT CODE EW3060

WASH, CLEAN, VACUUM.

With the ability to wash, clean and vacuum all at the same time, dealing with spills and mess on hard floors has never been easier than with the **HYDROH1**.

- 22.2V Li-ion battery
- 25 minute max. run time
- 3-4 hour charge time
- Dual water tank technology
- 0.5L dirty water tank capacity
- 0.6L clean water tank capacity
- BOOST function for extra cleaning
- Self clean function
- Suitable for cleaning sealed wood floors, laminate, lino, vinyl, stone and tiled flooring
- Accessories: storage tray, 2-in-1 cleaning brush and extra brush roller



HYDRO C1

CARPET CLEANER

PRODUCT CODE EW3070

Getting rid of stubborn dirt and stains in the carpet has never been easier than with the **HYDRO C1** Carpet Washer. Featuring a 1.6L clean water tank and 1.8L dirty water tank, it effectively cleans deep into pile on carpets and rugs to help leave a spotless finish.

- 500W motor
- 6m power cord
- 1.6L capacity clean water tank
- 1.8L capacity dirty water tank
- Lightweight
- Solution release trigger
- Cord storage
- Fixed Brush Bar
- Suitable for cleaning carpets and rugs



VERSACLEAN

FLOOR CLEANER & POLISHER

PRODUCT CODE EW0170 (EPV170)

Effortlessly polish all sealed hard floors to a high shine. Quickly buff floors back to life with the microfibre pads.

- 2,200rpm discs deliver excellent performance
- 24cm wide polishing/cleaning path suitable for all hard floors
- Interchangeable and reusable pads
- Telescopic handle and cable storage
- Accessories: 2 nylon bristle brush plates, 2 white scourer pads, 2 blue cleaning/polishing pads and 2 yellow polishing/buffing pads



VERSACLEAN

CORDLESS FLOOR WASHER & POLISHER

PRODUCT CODE EW0190 (FP90)

Clean sealed hard floors the easy way with this practical electric mop with rapidly revolving pads. Perfect for tackling ingrained dirt or just giving the tiles, lino, stone or wooden floor a polish.

- 14.8V battery power
- 350ml water tank capacity
- 43.5cm wide cleaning path
- 35min operating time
- 4-5 hour charge time
- LED dust tracking floor head lights
- LED battery life display
- Button control for power, dust tracking lights and clean water spray
- Accessories included: 2 x white scouring pads, 2 x blue microfibre cleaning pads, 2 x yellow chenille polishing pads, measuring jug and charger



STEAMDYNAMO

MULTI TOOL STEAM CLEANER

PRODUCT CODE EW0010 (SC1000)

The stylish Ewbank STEAMDYNAMO powerfully and effortlessly cuts through dirt and grease without the use of chemicals. Steam-sanitising kills 99.99% of all common household bacteria without the need for chemicals.

- Powerful 1500W boiler
- 1.5L tank capacity
- 45 minutes cleaning time from one tank
- Steam on demand - pressure up to 54psi (3.4bar)
- Accessories: angle adapter and floor cleaning tool, straight adapter, window cleaning tool with squeegee, small nylon bristle detail brush, larger nylon bristle detail brush, nozzle, funnel and jug plus microfibre floor cloth



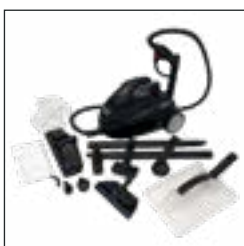
STEAMDYNAMO+

MULTI TOOL STEAM CLEANER

PRODUCT CODE EW0018

STEAMDYNAMO+ has more power and more accessories for use inside and outside of the home. Steam-sanitising kills 99.99% of all common household bacteria without the need for chemicals.

- 2000W motor
- 1.5L tank capacity
- Steam on demand - pressure up to 54psi (3.4bar)
- Accessories included: 2 x extension tubes, floor head brush, swivel adapter, straight adapter, water jug, funnel, microfibre cloth, turbo brush, stainless steel BBQ brush, wallpaper steamer, window cleaning head with squeegee, small and large nylon brushes



SPEEDSWEEP

CARPET SWEEPER

PRODUCT CODE EW2002 (525)

With its 20cm wide sweeping path and high impact body, this lightweight sweeper effortlessly glides across your carpeted floors.

- Quick, simple with excellent level of pickup
- High impact body casing
- Non-marking rubberised tyres
- Steel twisted nylon bristle brush
- Large capacity collection pans
- 105cm handle and low body height



EVO3

MULTI SURFACE SWEEPER

PRODUCT CODE EW2001 (830)

Transition between hard floor and carpet easily with the adjustable height setting. Durable, nylon tufted brushes provide excellent pick-up performance.

- Two adjustable height settings
- Rubberised furniture protection bumper
- Hygienic topside dust emptying system
- 23cm wide cleaning path
- High level pickup
- Low profile body to reach under furniture



310 HARD FLOOR SWEEPER

WITH MICROFIBRE DUSTER

PRODUCT CODE EW0310 (310)

The rubber blades are designed for maximum pick up while the microfibre pad collects dust as you sweep.

- Sweeper and duster all-in-one
- Rubber blades for maximum cleaning
- One click easy empty dust container
- Washable microfibre pad
- Handle lays flat to reach under furniture



HANDHELD

SHAMPOOER

PRODUCT CODE EW0265 (265)

The handy upholstery mini shampooer is a convenient way to spot clean upholstery or carpets. CDU of 12.

- Easy fill system with tank markers
- Tough polymer fibre pad
- Soft nylon bristle brush
- No damage to delicate fabrics
- 10cm cleaning head
- Free shampoo with every brush



COMPACT250

CARPET SHAMPOOER

PRODUCT CODE EW0250 (250)

The Ewbank 250 manual carpet shampooer brings the professional clean of rented counterparts without the use of electricity.

- Easy fill system with tank markers
- 2.0L capacity
- Telescopic handle with trigger release
- Lightweight yet highly effective
- Portable and compact
- Free carpet shampoo included



CASCADE

CARPET SHAMPOOER

PRODUCT CODE EW0280 (280)

Achieve professional carpet cleaning results without electricity with the Cascade manual carpet shampooer and concentrated carpet shampoo.

- Easy fill system with tank markers
- 2.5L capacity
- Telescopic handle with trigger release
- Lightweight yet highly effective
- Portable and compact
- Free carpet shampoo included



SPRAY MOP

WITH TWO HEADS

PRODUCT CODE EW0200 (200)

The Ewbank Spray Mop is light and easy to use; no bucket required. Simply fill the liquid capacity container with water, then spray and mop.

- 360° swivel head
- 380ml capacity
- Spray trigger for spraying any cleaning detergent
- Interchangeable heads (rectangular and round)
- Washable microfibre pad



SPRAY MOP

5-IN-1 SET

PRODUCT CODE EW0500 (5PKUK)

This multi-headed mop sweeps, mops and even cleans the windows and no buckets required with its on-board water or detergent dispenser.

- Trigger spray delivers water or detergent to the floor
- Lightweight for ease of use
- Various interchangeable cleaning heads: hard floor sweeper, microfibre pad, triangle head, flat head, cloth with squeegee
- Easy fill 380ml liquid container
- Designed for cleaning all hard floors and windows



AQUAROVER 140

1800W 140 BAR PRESSURE WASHER

PRODUCT CODE EW6140

Unique four-wheel design means the **AQUAROVER 140** will follow you seamlessly wherever you go, removing the frustrating 'stop start' nature of moving around traditional pressure washers.

- Motor power (W): 1800
- Max pressure (Bar): 140
- Max flow rate (L/min): 7.8
- Hose length (m): 5
- Hose material: PVC
- Power cable length (m): 5
- 4 wheels allow for static or mobile operation
- Built-in detergent tank
- Aluminium pump
- Auto stop system
- Self-priming
- On board accessory storage
- Accessories: High pressure gun with lock, spray lance, adjustable fan nozzle, jet nozzle, angled spray nozzle, nozzle holder, patio cleaning brush and fixed brush



AQUABLAST160

2200W 160 BAR PRESSURE WASHER

PRODUCT CODE EW6160

The **AQUABLAST** 160 makes light work of tough stains. The adjustable turbo nozzle means its suitable for stubborn dirt on the patio to more delicate surfaces. It also comes complete with a rotating brush ideal for car cleaning and a patio brush.

- Motor power (W): 2200
- Max pressure (Bar): 160
- Max flow rate (L/min): 7.5
- Hose length (m): 8
- Hose material: Steel
- Power cable length (m): 5
- Aluminium pump
- Auto stop system
- Self-priming
- Telescopic handle
- On board accessory storage
- Accessories: High pressure gun with 'NO FORCE' trigger and lock, spray lance, adjustable fan nozzle, turbo nozzle, patio cleaning brush and rotating brush, detergent nozzle and snow foam spray





BACKPACK FOGGING MACHINE

10L COMMERCIAL SANITISING BACKPACK FOGGING MACHINE

PRODUCT CODE EW5000



WHAT IS 'FOGGING'?

Fogging, as the term suggests, uses disinfectant sprayed from a Fogging machine to create what looks like fog in the room. It is an effective way to disinfect high levels of horizontal surfaces, hard to reach areas that are often missed or forgotten and confined spaces such as extractor units. It can also be effective at disinfecting vertical surfaces.

WHAT ARE THE BENEFITS?

- Effective at reducing airborne contaminants
- Effective at disinfecting hard to reach areas
- Highly effective at disinfecting horizontal surfaces

- 1400W motor power
- 10L disinfectant tank capacity
- Max flow rate: 750ml/min
- Horizontal coverage (m): 5-7
- Vertical coverage (m): 1.5-2
- Particle diameter (microns): 20-50
- Rotation speed (rpm): 31000
- 1 m high powered spray hose
- 5m power cord
- Dual shoulder straps
- Accessories: interchangeable spary nozzle, disinfectant funnel with filter
- 5L anti-viral disinfectant formula available (EWS5001)



EW5000

10 LITRE BACKPACK FOGGING MACHINE ONLY

EW5000PACK

EW5000 + 4 X EWS5001 DISINFECTANT FORMULA

EW5000PACK2

EW5000 + 1 X EWS5001 DISINFECTANT FORMULA

PAIR OF POLISHING PADS

FITS EW0190

EWS0078 (EB1319)



PAIR OF BUFFING PADS

FITS EW0190

EWS0079 (EB1320)



PAIR OF SCOURING PADS

FITS EW0190

EWS0080 (EB1323)



PAIR OF SCOURING PADS

FITS EW0170 & EW1100

EWS0001 (7FP100002)



PAIR OF BUFFING PADS

FITS EW0170 & EW1100

EWS0004 (7EP100013)



PAIR OF POLISHING PADS

FITS EW0170 & EW1100

EWS0005 (7FP100001)



5 PAIRS OF SCOURING PADS

FITS EW0170 & EW1100

EWS0053 (E170VER1RPV)



SINGLE MICROFIBRE TOWEL

FITS EW0010 & EW0018

EWS0047 (7SC100003)



SINGLE MICROFIBRE PAD

FITS EW0310

EWS1053 (EB1053)



ROUND MOP CLOTH

FITS EW0200

EWS1059 (EB1059)



RECTANGULAR MOP CLOTH

FITS EW0200

EWS1060 (EB1060)



**5L ANTI-VIRAL
DISINFECTANT FORMULA**

FOR EW5000

EWS5001



**PACK OF 5 DV6 PAPER
DUST BAGS**

FITS EW4001

EWS4000



ALL PURPOSE FLOOR POLISH

750ML SPRAY

EWS0006 (FP53500)



ALL PURPOSE FLOOR POLISH

500ML BOTTLE

EWS0002 (21000)



CARPET SHAMPOO

500ML BOTTLE

EWS0500 (021001000)



**EXTRA BATTERY FOR
AIRSTORM1**

FITS EW3040

EWS3044



FRAGRANCE CARDS

PACK OF 6

Used with UV-C bed
and fabric sanitizer

FRESH COTTON

EWS0003 (ZFR)



VANILLA

EWS0071 (ZFR)



VANILLA & COTTON

EWS0072 (ZFR)





 www.ewbank.co.uk

 01473 271272