



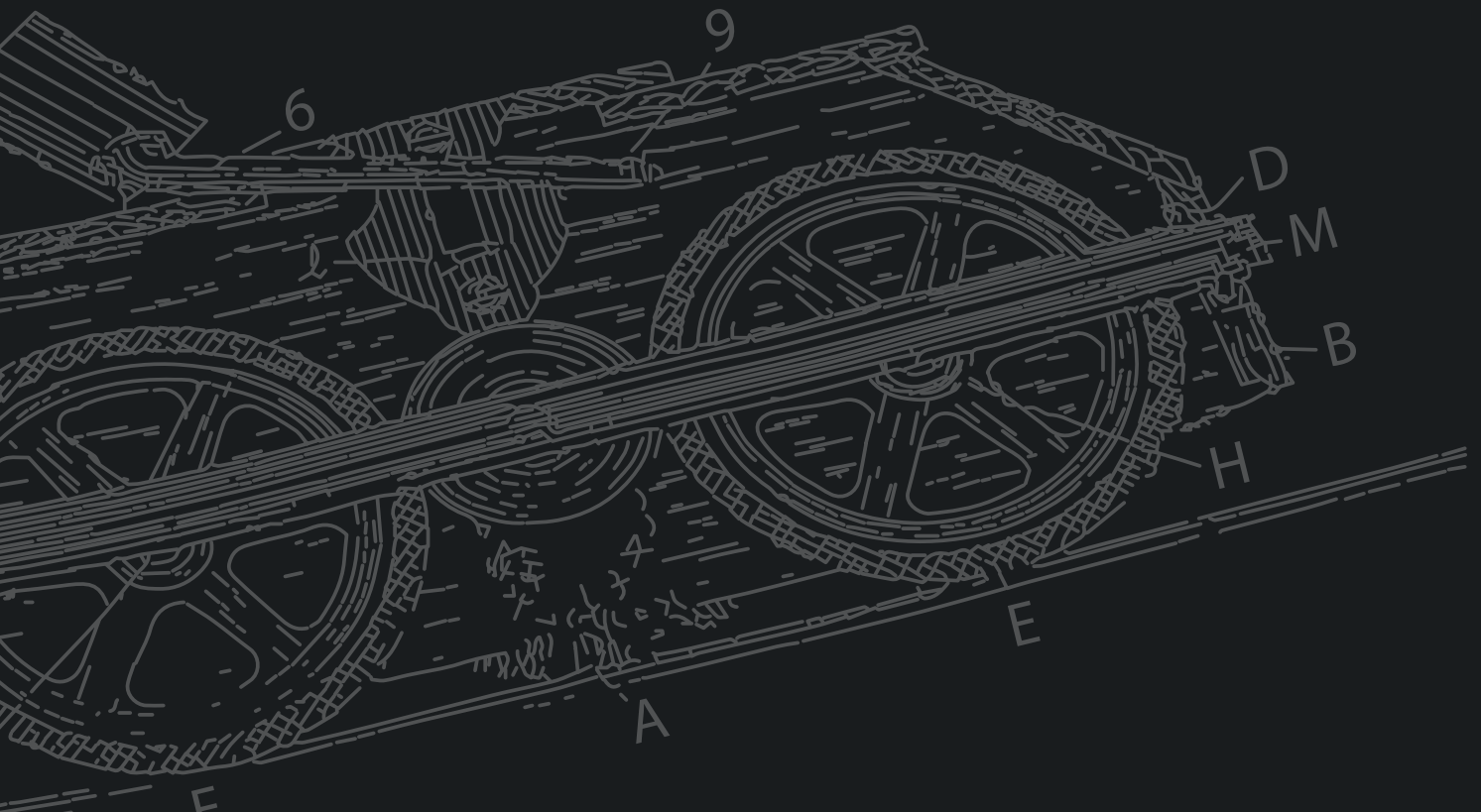
# PRODUCT PORTFOLIO

2021/22

# CONTENTS

Vacuum Cleaners	3 - 9
Floor Cleaners	10 - 11
Steam Cleaners	12
Sweepers	13
Shampoosers & Mops	14
Consumables	15

FIG: 2.



# AIRSTORM 1

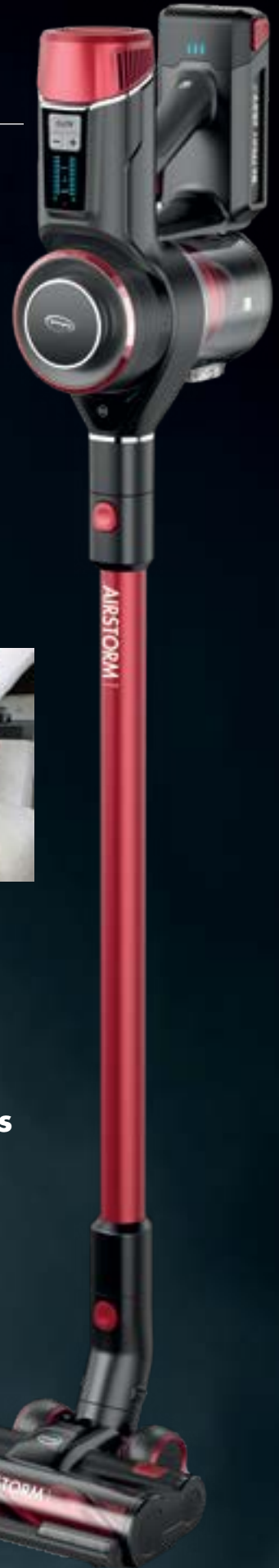
## 2-IN-1 PET CORDLESS VACUUM CLEANER

PRODUCT CODE EW3040

Combining Brushless DC Motor and Auto Dust Sensor technology to provide the **most powerful and efficient Ewbank cordless vacuum ever.**

- 25.2V Li-ion battery
- 35 minute max. run time
- 5 speeds with auto dust sensor
- 0.6L dust container
- Brushless DC motor
- HEPA filtration
- Vacuum (KPa): 23
- Suction power (W): 140
- 5 hour charge time
- LED display control panel
- Dust tracking floorhead lights
- Wall mounted charging dock
- Noise Level: 75dB
- Net Weight: 2.6kg
- Accessories include motorised floor head, telescopic crevice tool, 2-in-1 dusting and upholstery brush and motorised turbo pet brush

INCLUDES  
  
**PET  
 TURBO  
 BRUSH**



## KEY FEATURES



- 1** Dust volume indicator
- 2** Product maintenance indicators
- 3** Power level indicator
- 4** 5 speed settings
- 5** **AUTO mode**  
 In AUTO mode the vacuum **uses sensors to detect the amount of dust and debris** travelling through the tube, which then **automatically adjusts the amount of power required.**

# SURGEPLUS PET

## 2-IN-1 CORDLESS VACUUM CLEANER

PRODUCT CODE EW3032

The lightweight and stylish **SURGEPLUS** 2-in-1 Pet Cordless Vacuum Cleaner offers superb cleaning performance with a run time of up to 55 minutes.

- 22.2V Li-ion battery
- 55 minute max run time
- 4.5 hour charge time
- 0.5L dust container
- Brushless DC motor and HEPA filtration
- Wall mounted charging dock
- Accessories include motorised floor head, 2-in-1 crevice tool (hard and soft surface) and turbo pet brush

INCLUDES  
  
**PET**  
**TURBO**  
**BRUSH**



★★★★★

**“I love how much pet hair it collects! It’s so lightweight and easy to manoeuvre, collecting every spec of hair.”**

Customer review  
**SURGEAC PET 2-IN-1 CORDLESS VACUUM CLEANER**

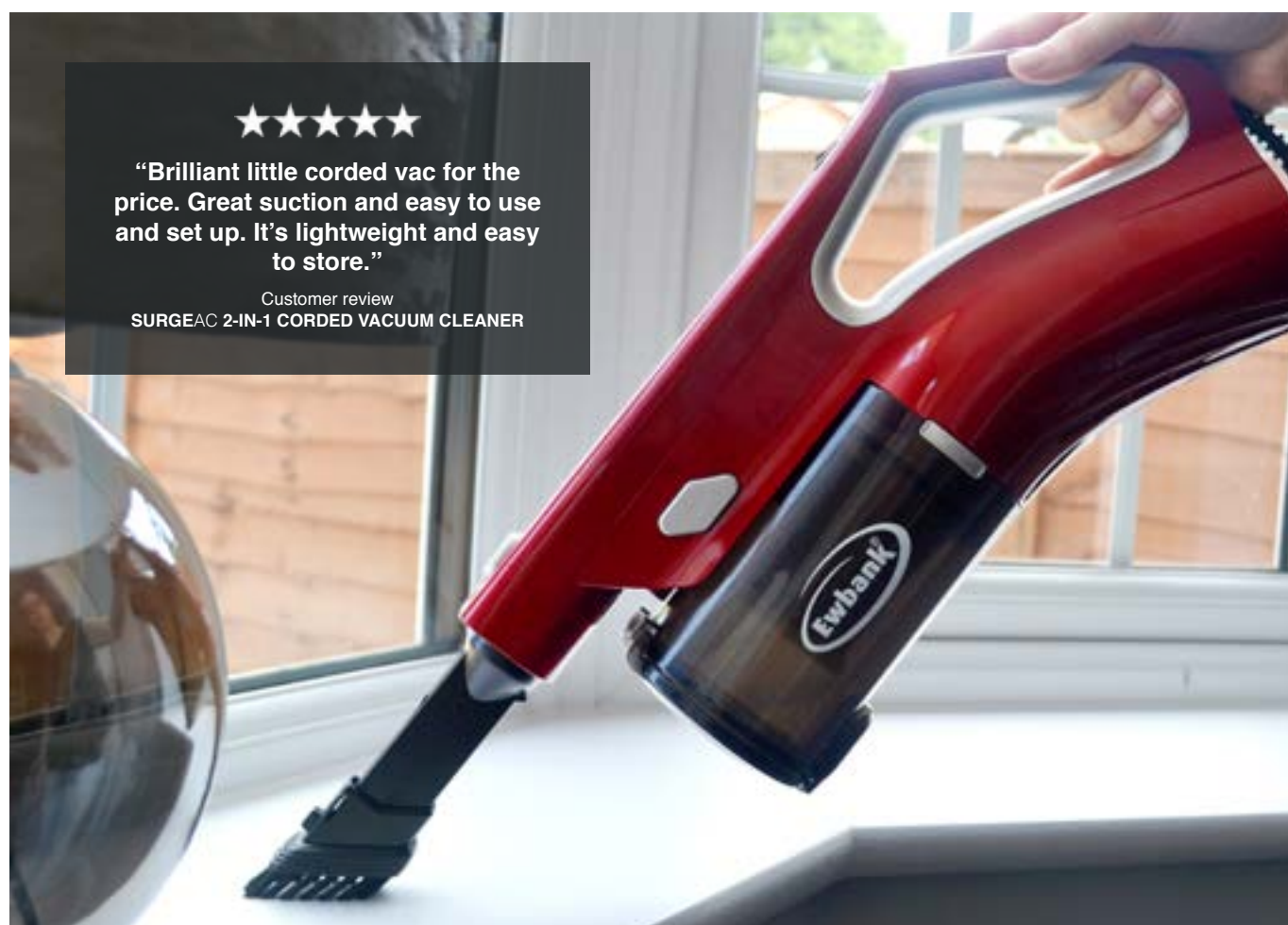
# SURGEAC

## 2-IN-1 CORDED VACUUM CLEANER

**PRODUCT CODE** EW3021

The **SURGEAC** 2-in-1 Corded Vacuum Cleaner combines versatility and power to provide the ideal all-round cleaning appliance.

- 400W motor
- 0.5L dust container
- HEPA filtration
- 5m power cord
- Accessories: 2-in-1 crevice tool (hard and soft surface) and 2-in-1 tool (upholstery brush/soft brush)



# MOTION PET CYLINDER

## BAGLESS VACUUM CLEANER

**PRODUCT CODE** EW3015

Packed with accessories and includes two different floor heads designed to optimise cleaning on both hard floor and carpet.

- 800W motor
- 2.5L dust container
- HEPA filtration
- 5m retractable power cord
- Accessories: **POWERPLUS** and **PROGLIDE** floor heads, 2-in-1 crevice tool (hard and soft surface), upholstery brush and pet turbo brush

INCLUDES  
  
**PET**  
**TURBO**  
**BRUSH**



# MOTION PET UPRIGHT

## BAGLESS VACUUM CLEANER

PRODUCT CODE EW3001

Lightweight and powerful, the **MOTION** Pet Upright is the perfect vacuum cleaner for a deep clean on all hard floors and carpets throughout the home.

- 700W motor
- 3L dust container
- HEPA filtration
- 9.3m power cord
- Easy handling with Air Swivel technology
- Accessories: 3-in-1 crevice tool, pet turbo brush

INCLUDES  
  
**PET**  
**TURBO**  
**BRUSH**



# Ewbank<sup>®</sup> commercial DV6

## 6L BAGLESS VACUUM CLEANER

PRODUCT CODE EW4001

The **DV6** bagless drum vacuum cleaner comes with a large 6 litre dust container, making it perfect for both domestic and office cleaning.

- 700W motor
- 6.0L dust container
- 1.5m hose
- 8m power cord
- High efficiency floor brush
- Accessories: 2-in-1 crevice tool, 1 x cloth bag





# 2-IN-1 CORDED VACUUM CLEANER

**PRODUCT CODE** EW0600 (VC600)

A powerful lightweight vacuum packed with all the great features you would expect on a larger model. It's easily converted into a handheld vacuum.

- 600W motor
- 0.5L dust container
- HEPA filtration
- 4m power cord
- Accessories: crevice tool



# UV-C 2-IN-1 VACUUM BED & FABRIC SANITISER

**PRODUCT CODE** EW0400 (UV400)

Kills dust mite eggs and bacteria such as E-coli, streptococcus and MRSA to aid a healthy nights sleep.

- 400W motor
- UVC light removes dust mites - chemical free cleaning
- Use separately as a normal vacuum cleaner
- Beater hits mattress at 3,000bpm releasing dust mites
- Reduces exposure to harmful dust, great for asthma sufferers
- Accessories: crevice tool, soft dusting brush and 2 extension tubes



# HYDROH1

## 2-IN-1 CORDLESS HARD FLOOR CLEANER

PRODUCT CODE EW3060

### WASH, CLEAN, VACUUM.

With the ability to **wash, clean and vacuum all at the same time**, dealing with spills and mess on hard floors has never been easier than with the **HYDROH1**.

- 22.2V Li-ion battery
- 25 minute max. run time
- 3-4 hour charge time
- Dual water tank technology
- 0.5L dirty water tank capacity
- 0.6L clean water tank capacity
- BOOST function for extra cleaning
- Self clean function
- Suitable for cleaning sealed wood floors, laminate, lino, vinyl, stone and tiled flooring
- Accessories: storage tray, 2-in-1 cleaning brush and extra brush roller



### VACUUM AND WASH AT THE SAME TIME



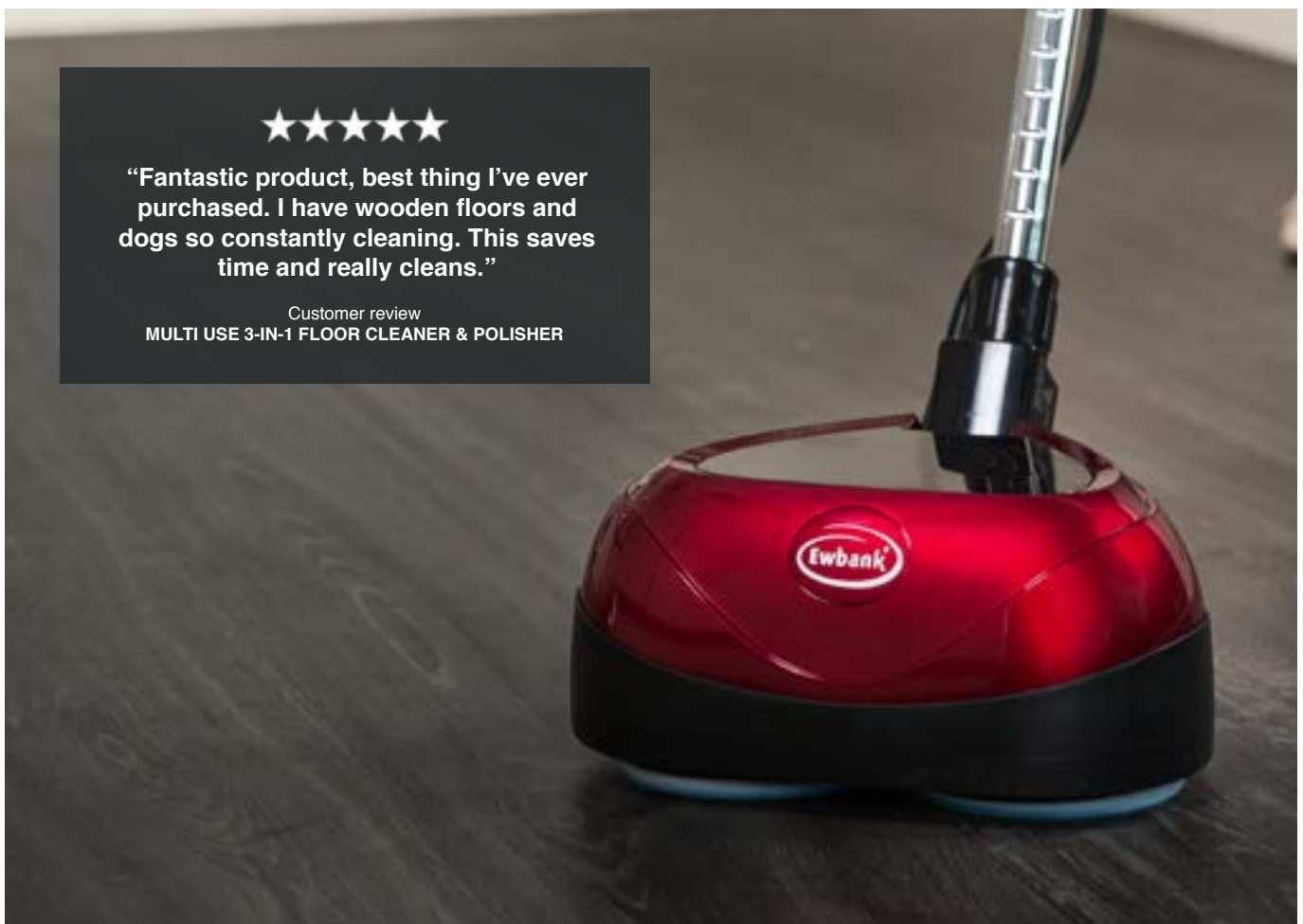
# VERSACLEAN

## 3-IN-1 FLOOR CLEANER & POLISHER

**PRODUCT CODE** EW0170 (EPV170)

Effortlessly polish all sealed hard floors to a high shine. Quickly buff floors back to life with the microfibre pads.

- 2,200rpm discs deliver excellent performance
- 24cm wide polishing/cleaning path suitable for all hard floors
- Interchangeable and reusable pads
- Telescopic handle and cable storage
- Accessories: 2 nylon bristle brush plates, 2 white scourer pads, 2 blue cleaning/polishing pads and 2 yellow polishing/buffing pads



**“Fantastic product, best thing I’ve ever purchased. I have wooden floors and dogs so constantly cleaning. This saves time and really cleans.”**

Customer review  
**MULTI USE 3-IN-1 FLOOR CLEANER & POLISHER**

# STEAM DYNAMO

## MULTI TOOL STEAM CLEANER

**PRODUCT CODE** EW0010 (SC1000)

The stylish Ewbank Steam Dynamo powerfully and effortlessly cuts through dirt and grease without the use of chemicals.

- Powerful 1500W boiler
- 1.5L tank capacity
- 45 minutes cleaning time from one tank
- Steam on demand - pressure up to 54psi (3.4bar)
- Accessories: angle adapter and floor cleaning tool, straight adapter, window cleaning tool with squeegee, small nylon bristle detail brush, larger nylon bristle detail brush, nozzle, funnel and jug plus microfibre floor cloth



# SPEEDSWEEP

## CARPET SWEEPER

**PRODUCT CODE** EW2002 (525)

With its 20cm wide sweeping path and high impact body, this lightweight sweeper effortlessly glides across your carpeted floors.

- Quick, simple with excellent level of pickup
- High impact body casing
- Non-marking rubberised tyres
- Steel twisted nylon bristle brush
- Large capacity collection pans
- 105cm handle and low body height



# EVO3

## MULTI SURFACE SWEEPER

**PRODUCT CODE** EW2001 (830)

Transition between hard floor and carpet easily with the adjustable height setting. Durable, nylon tufted brushes provide excellent pick-up performance.

- Two adjustable height settings
- Rubberised furniture protection bumper
- Hygienic topside dust emptying system
- 23cm wide cleaning path
- High level pickup
- Low profile body to reach under furniture



# 310 HARD FLOOR SWEEPER

## WITH MICROFIBRE DUSTER

**PRODUCT CODE** EW0310 (310)

The rubber blades are designed for maximum pick up while the microfibre pad collects dust as you sweep.

- Sweeper and duster all-in-one
- Rubber blades for maximum cleaning
- One click easy empty dust container
- Washable microfibre pad
- Handle lays flat to reach under furniture



# HANDHELD SHAMPOOER

**PRODUCT CODE** EW0265 (265)

The handy upholstery mini shampooer is a convenient way to spot clean upholstery or carpets. CDU of 12.

- Easy fill system with tank markers
- Tough polymer fibre pad
- Soft nylon bristle brush
- No damage to delicate fabrics
- 10cm cleaning head
- Free shampoo with every brush



# COMPACT250 CARPET SHAMPOOER

**PRODUCT CODE** EW0250 (250)

The Ewbank 250 manual carpet shampooer brings the professional clean of rented counterparts without the use of electricity.

- Easy fill system with tank markers
- 2.0L capacity
- Telescopic handle with trigger release
- Lightweight yet highly effective
- Portable and compact
- Free carpet shampoo included



# CASCADE CARPET SHAMPOOER

**PRODUCT CODE** EW0280 (280)

Achieve professional carpet cleaning results without electricity with the Cascade manual carpet shampooer and Ewbank concentrated carpet shampoo.

- Easy fill system with tank markers
- 2.5L capacity
- Telescopic handle with trigger release
- Lightweight yet highly effective
- Portable and compact
- Free carpet shampoo included



# SPRAY MOP WITH TWO HEADS

**PRODUCT CODE** EW0200 (200)

The Ewbank Spray Mop is light and easy to use; no bucket required. Simply fill the liquid capacity container with water, then spray and mop.

- 360° swivel head
- 380ml capacity
- Spray trigger for spraying any cleaning detergent
- Interchangeable heads (rectangular and round)
- Washable microfibre pad



**PAIR OF SCOURING PADS**

FITS EW0170 & EW1100

**EWS0001** (7FP100002)



**PAIR OF BUFFING PADS**

FITS EW0170 & EW1100

**EWS0004** (7EP100013)



**3 PAIRS OF MIXED PADS**

FITS EW0170 & EW1100

**EWS0171** (EP170VER1RC)



**5 PAIRS OF SCOURING PADS**

FITS EW0170 & EW1100

**EWS0053** (E170VER1RPW)



**SINGLE MICROFIBRE TOWEL**

FITS EW0010

**EWS0047** (7SC100003)



**SINGLE MICROFIBRE PAD**

FITS EW0310

**EWS1053** (EB1053)



**ROUND MOP CLOTH**

FITS EW0200

**EWS1059** (EB1059)



**RECTANGULAR MOP CLOTH**

FITS EW0200

**EWS1060** (EB1060)



**PACK OF 5 DV6 PAPER DUST BAGS**

FITS EW4001

**EWS4000**



**EXTRA BATTERY FOR AIRSTORM**

FITS EW3040

**EWS3044**



**ALL PURPOSE FLOOR POLISH**

750ML SPRAY

**EWS0006** (FP53500)



**ALL PURPOSE FLOOR POLISH**

500ML BOTTLE

**EWS0002** (21000)



**CARPET SHAMPOO**

500ML BOTTLE

**EWS0500** (021001000)



**FRAGRANCE CARDS**

PACK OF 6

Used with Zest 2-in-1 vacuum cleaner and UVC bed and fabric sanitizer

**FRESH COTTON**  
**EWS0003** (ZFR)



**VANILLA**  
**EWS0071** (ZFR)




**VANILLA & COTTON**  
**EWS0072** (ZFR)





 [www.ewbank.co.uk](http://www.ewbank.co.uk)

 01473 271272

