


STATESMAN

kitchen appliances

STATESMAN

SKA • Laundry • Refrigeration • Cooking • Dishwashing


www.statesmanappliances.co.uk | 01473 277508



Established in 2007, Statesman has developed an extensive range of freestanding and integrated kitchen appliances that combine user-friendly functionality with reliable build quality.

Offering consumers a selection of products across refrigeration, laundry, cooking and dishwashing, we ensure that the best technology is incorporated across the range to provide customers with white goods that are perfectly suited for the needs of modern living.

Our ethos is to provide the independent retailer with a brand they can rely on. Over 25,000 spare parts are stored in-house available for same-day dispatch, and our entire product range is supported by a full 2-year parts and labour guarantee for domestic use once registered* and a 1-year commercial warranty†. With Statesman, retailers can be confident that the needs of their customers will always be met.



2Year
Parts & Labour
Guarantee*

*First year included, users must register within 30 days of purchase to receive second year of guarantee

† Domestic use in a commercial environment

Contents

Small Kitchen Appliances	04 - 08
Air Fryer	05
Air Fryer Ovens	05
Pizza Ovens	06
Microwaves	07 - 08
Beer Dispenser	08
Laundry	09 - 13
Washing Machines	10 - 11
Washer Dryers	12
Tumble Dryers	13
Refrigeration	14 - 25
Freestanding	15 - 23
Integrated	24 - 25
Cooking	26 - 39
Freestanding Cookers	27 - 31
Built-In Ovens	32 - 33
Hobs	34 - 37
Cooker Hoods	38 - 39
Dishwashing	40 - 42
Freestanding	41
Integrated	42
Technical	43 - 59
Specifications	44 - 54
Installation Diagrams	55 - 59
Customer Care	60 - 61



SMALL KITCHEN APPLIANCES

Air Fryers • Air Fryer Ovens • Pizza Ovens • Microwaves • Beer Dispenser

5 Litre Digital Air Fryer

● **Black** SKAF05015BK



- Air fry for healthier cooking with less fat
- Quicker cooking times than conventional ovens
- 5 litre capacity
- 8 pre-set cooking programmes
- Temperature range of 65°C-200°C
- 90 min cooking timer
- 360° hot air circulation
- Clear viewing window
- Digital touch control panel
- Cool touch housing
- Dishwasher safe parts with removable racks
- Anti-slip feet

Dimensions (mm):
H:276 x W:266 x D:333

11 Litre 10-in-1 Digital Air Fryer Oven

● **Black** SKAO11015BK



- Temperature range up to 200°C
- Rotisserie lock system
- Interior light
- Clear digital touch button screen
- Digital 90min timer
- Non-stick and dishwasher safe accessories include:
 - Rotating basket
 - 2 x grill racks & drip tray
 - 8pc skewer set
 - Rotisserie fork and spit
 - Removable handle

Dimensions (mm):
H:369 x W:337 x D:336

15 Litre 13-in-1 Digital Air Fryer Oven

● **Black** SKAO15017BK



- Temperature range 30°C-200°C
- 60 min cooking timer
- Digital touch control panel
- Family size capacity
- Rotisserie system
- Auto-shut off
- Interior light
- Easy clean with removable guide rails
- Non-slip feet
- Non-stick and dishwasher safe accessories include:
 - Rotating basket
 - Rotisserie fork and spit
 - 2 x grill racks and drip tray
 - 8pc skewer set
 - Removable handle

Dimensions (mm):
H:356 x W:380 x D:433

13 Inch Wood Pizza Oven

● **Black** SKPO0W13SS

- 13 Inch ceramic pizza stone
- Dual layer heat system for consistent cooking
- Reaches temperature of up to 450°C
- 15min heat up time
- Wood pellet fuel system
- Stainless steel
- Temperature gauge
- Accessories include:
carry bag, pizza peel, portable carry handle



Dimensions (mm):
H:780 x W:400 x D:845



20L 800W Digital Solo Microwave

● **Black** SKMS0820DSB ● **Silver** SKMS0820DSS



- 20L stainless steel cavity
- 800W microwave power
- 245mm turntable diameter
- Digital display
- 11 Power levels
- 8 Auto cooking programmes
- Quick start
- Speed defrost & weight defrost
- Multi-stage cooking
- Child safety lock



Dimensions (mm):
H:262 x W:452 x D:392

25L 900W Digital Combination Microwave

● **Black** SKMC0925SB ● **Silver** SKMC0925SS



- 25L stainless steel cavity
- 900W microwave power
- 1950W grill power
- 1950W convection power
- 270mm turntable diameter
- Digital display
- 11 Microwave power levels
- 10 Auto cooking programmes
- Grill, grill+microwave
- Convection, convection+microwave
- Express cooking & preset
- Weight defrost
- Multi-stage cooking
- Child safety lock
- Grill pan included



Dimensions (mm):
H:281 x W:483 x D:450



30L 900W Digital Combination Microwave

● **Black** SKMC0930SB ● **Silver** SKMC0930SS

- 30 Litre capacity
- 900W microwave power
- 1250W grill power
- 2200W convection power
- Digital display
- 315mm turntable diameter
- Grill, grill+microwave, convection, convection+microwave
- 11 Power levels
- 10 Auto cooking programmes
- 95 Minute timer
- Auto defrost
- Multi-stage cooking
- Stainless steel cavity
- Child safety lock
- Button adhesion protection
- Grill pan included

Dimensions (mm):
H:300 x W:539 x D:452



Chilled Draught Beer Dispenser

● **Stainless Steel** SKBD500SS

- Fresh and cold beer dispenser at home
- Elegant and solid stainless steel design
- Suitable for prosecco and wine
- Compatible with universal 5L keg and pre-carbonated 5L keg
- Thermoelectric cooling system
- 800ml water capacity for enhanced cooling
- Cooling range from 2-12°C
- Led keg temperature display
- CO2 gas control
- 3 x 16g standard CO2 cannisters included
- Removable drip tray

Dimensions (mm):
H:430 x W:272 x D:414





LAUNDRY

Washing Machines • Washer Dryers • Tumble Dryers



8kg Integrated Washing Machine 1400rpm

○ White BIW0814

- 8kg load capacity
- 1400rpm spin speed
- 16 wash programs
- Eco wash
- 15-minute quick wash
- Pre wash
- Delay timer 3-24 hours
- LED display
- Sound off
- Child lock

Energy Rating: B

Dimensions (mm):
H:825 x W:595 x D:540

Spin Noise Class: B
Spin Dry Efficiency: B

For installation diagram, please see page 55



6kg Washing Machine 1000rpm

○ White FWM1610W

- 6kg capacity
- 15-minute rapid wash
- 15 wash programs
- Eco wash
- Pre wash
- Half load detection
- Delay timer
- Child lock

Energy Rating: D

Dimensions (mm):
H:845 x W:593 x D:480

Spin Noise Class: B
Spin Efficiency: C



7kg Washing Machine 1400rpm

○ White FWM1714W

- 7kg capacity
- 15 wash programs
- Eco wash
- 15-minute rapid wash
- Half load detection
- Delay timer up to 23 hours
- Water level control
- LED display
- Child lock

Energy Rating: A

Dimensions (mm):
H:850 x W:595 x D:529

Spin Noise Class: C
Spin Efficiency: B



9kg Washing Machine 1400rpm

○ White FWM1914W

- 9kg capacity
- 5 wash programs
- 15-minute rapid wash
- Eco and anti-allergy wash
- Pre wash
- Half load detection
- Delay timer up to 23 hours
- Child lock

Energy Rating: A

Dimensions (mm):
H:847 x W:594 x D:560

Spin Noise Class: B
Spin Efficiency: B





8kg/6kg Washer Dryer 1400rpm

○ White XD0806WE

- 8kg wash capacity
- 6kg dry capacity
- 1400rpm spin speed
- 16 wash programs
- 4 dry programs
- My cycle
- Baby care
- 15-minute quick wash
- Pre wash
- Delay timer up to 24 hours
- LED display

Energy Rating (Wash Only): B
Energy Rating (Wash and Dry): E

Dimensions (mm):
H:850 x W:595 x D:470

Spin Noise Class: B
Spin Efficiency: B



8kg/6kg Integrated Washer Dryer 1400rpm

○ White BXD0806

- 8kg wash capacity
- 6kg dry capacity
- 1400rpm spin speed
- 4 dry programs
- My cycle
- Baby care
- Add garment function
- 15-minute quick wash
- Pre wash
- Delay timer up to LED display

Energy Rating (Wash Only): B
Energy Rating (Wash and Dry): E

Dimensions (mm):
H:825 x W:595 x D:540

For installation diagram, please see page 55





7kg Vented Tumble Dryer

○ White TVM07W

- 7kg drying capacity
- 4 drying programs
- 3 dryness levels
- Drying sensor
- Anti-crease function
- Safety thermostat heater
- LED display
- Safety reset
- Child lock

Energy Rating: C

Dimensions (mm):
H:840 x W:595 x D:550



8kg Condenser Tumble Dryer

○ White TCM08W

- 8kg load capacity
- 16 sensor dry programs
- Heat function: low/high
- Anti-crease setting
- Delay timer up to Time remaining, tank full and clean filter indicators
- Reverse action drum
- LED display
- Child lock

Energy Rating: B

Dimensions (mm):
H:845 x W:595 x D:615



8kg Heat Pump Tumble Dryer

○ White THP18W

- Heat pump technology
- 8kg load capacity
- 16 sensor dry programs
- Heat function: low/high
- Reduced ironing function
- Time remaining indicator
- Tank full indicator
- Clean filter indicator
- Delay timer up to 24 hours
- Reverse action drum
- LED display
- Child lock

Energy Rating: A++

Dimensions (mm):
H:845 x W:595 x D:650



REFRIGERATION

Freestanding • Integrated



47cm Under Counter Larder Fridge

○ White UC47LFW

- 3 Adjustable glass shelves
- 3 Clear door shelves
- Large salad drawer
- Internal light
- Reversible door
- Adjustable feet
- Thermostat dial control
- Metal back

Energy Rating: E

Dimensions (mm):

H:864 x W:472 x D:446

Net Fridge Capacity: 93 Litres



47cm Under Counter Fridge with 4* Ice Box

○ White UC47IBW

- 2 Adjustable glass shelves
- 3 Clear door shelves
- Large salad drawer
- 4 Star freezer compartment
- Internal light
- Reversible door
- Adjustable feet
- Thermostat dial control
- Metal back

Energy Rating: E

Dimensions (mm):

H:845 x W:475 x D:445

Net Fridge Capacity: 68 Litres

Net Freezer Capacity: 12 Litres



47cm Under Counter Freezer

○ White UC47FZW

- 4 Star freezer
- 3 Large storage drawers
- Reversible door
- Adjustable feet
- Thermostat dial control
- Metal back

Energy Rating: E

Dimensions (mm):

H:845 x W:475 x D:445

Net Freezer Capacity: 60 Litres



55cm Under Counter Larder Fridge

○ White L255W ● Black L255B ● Silver L255S

- 2 Adjustable glass shelves
- Large salad drawer
- Internal light
- Reversible door
- Adjustable feet
- Metal back

Dimensions (mm):

H:845 x W:553 x D:574

Net Fridge Capacity: 131 Litres

Energy Rating: E



55cm Under Counter Fridge with 4* Ice Box

○ White R155W ● Black R155B ● Silver R155S

- 4 Star freezer compartment
- 1 Adjustable glass shelf
- Large salad drawer
- Internal light
- Reversible door
- Metal back

Dimensions (mm):

H:845 x W:553 x D:574

Net Fridge Capacity: 97 Litres

Net Freezer Capacity: 16 Litres

Energy Rating: E



55cm Under Counter Freezer

○ White U355W ● Black U355B ● Silver U355S

- 4 Star freezer
- 3 Large storage drawers
- Reversible door
- Adjustable feet
- Metal back

Dimensions (mm):

H:845 x W:553 x D:574

Net Freezer Capacity: 83 Litres

Energy Rating: E





142cm High, 55cm Wide Tall Larder Fridge

○ White TL235LWE

- 3 Adjustable glass shelves
- Reversible door
- Large salad drawer
- Internal light
- Adjustable feet
- Full metal back

Energy Rating: E

Dimensions (mm):

H:1420 x W:550 x D:550

Net Fridge Capacity: 230 Litres



170cm High, 60cm Wide Tall Larder Fridge

○ White TL335LWE

- 5 Adjustable glass shelves
- Reversible door
- Large salad drawer
- Internal light
- Adjustable feet
- Full metal back

Energy Rating: E

Dimensions (mm):

H:1715 x W:600 x D:590

Net Fridge Capacity: 331 Litres



142cm High, 55cm Wide Tall Freezer

○ White TF160LWE

- 2 Shelves with flap closures (top/bottom)
- 3 Clear freezer drawers
- Reversible door
- Adjustable feet
- Full metal back

Energy Rating: E

Dimensions (mm):

H:1420 x W:550 x D:550

Net Freezer Capacity: 160 Litres





170cm High, 60cm Wide Tall Freezer

○ White TF170LWE

- 4 star freezer
- 6 clear freezer drawers
- 1 maxi freezer box
- Reversible door
- Adjustable feet
- Full metal back



Energy Rating: E

Dimensions (mm):

H:1710 x W:600 x D:605

Net Freezer Capacity: 242 Litres



123cm High, 50cm Wide 80/20 Fridge Freezer

○ White F1230APWE

- 2 Adjustable glass shelves
- Large salad drawer
- Egg tray
- In door bottle storage
- Internal fridge and freezer lights
- 1 Clear freezer shelf

- Reversible doors
- Adjustable feet
- Full metal back



Energy Rating: E

Dimensions (mm):

H:1230 x W:500 x D:580

Total Capacity: 151 Litres

Net Fridge Capacity: 112 Litres

Net Freezer Capacity: 39 Litres



144cm High 50/50 Fridge Freezer

○ White F1448W

- 3 Adjustable glass fridge shelves
- 3 Clear fridge door shelves
- 3 Clear freezer drawers
- Large salad drawer
- Internal led light

- Reversible doors
- Levelling feet
- Noise emissions: 40db
- Manual defrost



Energy Rating: E

Dimensions (mm):

H:1140 x W:480 x D:505

Net Total Capacity: 142 Litres

Net Fridge Capacity: 87 Litres

Net Freezer Capacity: 55 Litres



137cm High 50/50 Fridge Freezer

○ White F13552W

- 3 Adjustable glass shelves and 2 salad drawers
- Clear fridge door shelves
- 3 Clear freezer drawers
- Reversible door
- Recessed handle
- 50:50 door split
- Removable door seal
- Adjustable levelling feet
- Manual defrost



Energy Rating: E

Dimensions (mm):

H:1365 x W:550 x D:570

Net Total Capacity: 185 Litres

Net Fridge Capacity: 114 Litres

Net Freezer Capacity: 71 Litres



165cm High 50/50 Fridge Freezer

○ White F1655W ● Inox F1655X

- 2 Adjustable glass shelves and 2 salad drawers
- 3 Clear fridge door shelves
- 4 Clear freezer drawers
- Reversible door
- Recessed handle
- 50:50 door split
- Removable door seal
- Adjustable levelling feet
- LED lighting
- Manual defrost



Energy Rating: E

Dimensions (mm):

H:1655 x W:550 x D:570

Net Total Capacity: 235 Litres

Net Fridge Capacity: 139 Litres

Net Freezer Capacity: 96 Litres



150cm High 60/40 Fridge Freezer Frost Free

○ White FF1547W

- 3 Adjustable fridge shelves
- 3 Fridge door shelves
- Large salad drawer
- 1 Sliding freezer tray
- 2 Clear freezer drawers
- Reversible door
- Frost free technology
- Auto-defrost
- Fast freeze function
- LED lighting



Energy Rating: E

Dimensions (mm):

H:1500 x W:470 x D:566

Net Total Capacity: 173 Litres

Net Fridge Capacity: 120 Litres

Net Freezer Capacity: 53 Litres



55cm 50/50 Fridge Freezer Total No Frost

○ White TNF18552W ● Inox TNF18552X

- 3 Adjustable fridge shelves
- 1 Sliding tray and 3 freezer drawers
- Large salad drawer
- 3 Fridge door shelves
- Reversible door
- Recessed handle
- 50:50 door split
- Removable door seal
- Adjustable levelling feet
- LED lighting
- No need for manual defrost



Energy Rating: E

Dimensions (mm):

H:1810 x W:545 x D:600

Net Total Capacity: 247 Litres

Net Fridge Capacity: 165 Litres

Net Freezer Capacity: 82 Litres



186cm High, 60cm Wide 60/40 Fridge Freezer Total No Frost

○ White TNF1860WE ● Inox TNF1860XE

- 3 Glass shelves
- 1 Crystal salad crisper drawer with glass cover
- 1 Fresh converter drawer
- 3 Clear freezer drawers
- Advanced sensor technology
- 3 Control modes: eco, holiday, super freeze
- Total no frost
- Reversible doors
- Door alarm
- LED door display
- Internal LED light
- Adjustable feet
- Full metal back



Energy Rating: E

Dimensions (mm):

H:1840 x W:600 x D:665

Net Fridge Capacity: 219 Litres

Net Freezer Capacity: 104 Litres



Multi Door Fridge Freezer

Total No Frost

● Inox MD018362NI

- Super freeze function
- 4 Door shelves
- 1 Large crisper drawer with humidity control
- 3 Adjustable fridge shelves
- 6 Freezer compartments
- ECO function
- Total no frost
- Door open alarm
- Soft touch digital display
- LED internal light



Energy Rating: E

Dimensions (mm):

H:1800 x W:795 x D:630

Net Fridge Capacity: 237 Litres

Net Freezer Capacity: 125 Litres

177cm High, 90cm Wide American Side-By-Side Fridge Freezer Total No Frost

● **Inox** SBS177X

- 4 Star freezer rating
- 4 Fridge shelves
- 1 Crystal salad crisper drawer with glass cover
- 1 Clear freezer drawers
- Reversible doors
- Door alarm
- Total no frost
- Internal LED light
- Adjustable feet
- Full metal back

Energy Rating: E

Dimensions (mm):

H:1770 x W:905 x D:670

Net Total Capacity: 532 Litres

Net Fridge Capacity: 347 Litres

Net Freezer Capacity: 185 Litres



99 Litre Chest Freezer

○ White CHF100



- Freezing capacity (Kg/24h): 4.5
- Suitable for outbuildings
- Refrigerant: R600a
- Super freezing function
- 1 x ice scraper
- 1 x basket
- Front manual control
- Front water disposal device
- Power indicator function
- Compressor switch off function

Energy Rating: E

Dimensions (mm):

H:850 x W:547 x D:446

Net Freezer Capacity: 99 Litres



142 Litre Chest Freezer

○ White CHF150



- Freezing capacity (Kg/24h): 6.5
- Suitable for outbuildings
- Refrigerant: R600a
- Super freezing function
- 1 x ice scraper
- 1 x basket
- Front manual control
- Front water disposal device
- Power indicator function
- Compress switch off function

Energy Rating: E

Dimensions (mm):

H:850 x W:600 x D:560

Net Freezer Capacity: 142 Litres



198 Litre Chest Freezer

○ White CHF198



- Freezing capacity (Kg/24h): 9
- Suitable for outbuildings
- Refrigerant: R600a
- Super freezing function
- 1 x ice scraper
- 1 x basket
- Front manual control
- Front water disposal device
- Power indicator function
- Compressor switch off function

Energy Rating: E

Dimensions (mm):

H:850 x W:770 x D:560

Net Freezer Capacity: 198 Litres





177cm High, 55cm Wide 50/50 Integrated Fridge Freezer Frost Free

○ White BIFF15050FF

- 4 Adjustable glass shelves
- 4 Clear freezer drawers
- Salad drawer
- Transparent door shelves
- Reversible doors
- Ice tray
- Frost free technology
- LED lighting
- Adjustable feet
- Full metal back

Energy Rating: E

Dimensions (mm):

H:1770 x W:540 x D:545

Net Total Capacity: 229 Litres

Net Fridge Capacity: 145 Litres

Net Freezer Capacity: 85 Litres

For installation diagram, please see page 56





177cm High, 55cm Wide 70/30 Integrated Fridge Freezer Frost Free

○ White BIFF17030FF

- 4 Adjustable Glass Shelves
- 3 Clear Freezer Drawers
- Frost Free Technology
- Salad Drawer
- Transparent Door Shelves
- Reversible Doors
- Ice Tray
- LED Lighting
- Adjustable feet
- Full Metal Back



Energy Rating: E

Dimensions (mm):
H:1770 x W:540 x D:545

Net Total Capacity: 242 Litres
Net Fridge Capacity: 180 Litres
Net Freezer Capacity: 63 Litres

For installation diagram, please see page 56



60cm Integrated Under Counter Larder Fridge

○ White BU160LF4E

- 2 Adjustable glass shelves
- Recessed salad crisper
- Reversible door
- Internal light
- Adjustable feet

Energy Rating: E

Dimensions (mm):
H:818 x W:595 x D:548

Net Fridge Capacity: 134 Litres

For installation diagram, please see page 56



60cm Integrated Under Counter Freezer

○ White BU160FZ4E

- 4 Star Freezer
- 3 Large Storage Drawers
- Adjustable Feet
- Reversible Door

Energy Rating: E

Dimensions (mm):
H:818 x W:598 x D:548

Net Freezer Capacity: 96 Litres

For installation diagram, please see page 56



COOKING

Freestanding • Built-In • Hobs • Hoods

STATESMAN



50cm Single Cavity Electric Cooker

○ White DELTA50W

- Conventional oven
- Integrated grill
- Double glazed door
- 2 Oven shelves and deep oven tray with chrome grid
- Grill pan, rack and handle set
- 4 Solid hotplates (1 rapid hotplate)
- Closed door grilling
- Removable door
- Usable storage compartment
- Adjustable height

Energy Rating: A

Dimensions (mm):

H:900 x W:500 x D:600

Net Oven Capacity: 55 Litres



50cm Twin Cavity Electric Cooker

○ White FUSION50W

- Conventional main oven
- Separate grill
- Double glazed doors
- 2 Oven shelves and deep oven tray with chrome grid
- Grill pan, rack and handle set
- 4 Solid hotplates (1 rapid hotplate)
- Adjustable height

Energy Rating: A

Dimensions (mm):

H:850 x W:500 x D:600

Net Oven Capacity: 55 Litres

Net Grill Capacity: 31 Litres



60cm Single Cavity Electric Cooker

○ White NAPIER60EW

- Conventional oven
- Integrated grill
- Double glazed door
- 1 Oven shelf and 1 tray
- Grill pan, rack and handle set
- 4 Solid hotplates
- Closed door grilling
- Removable door
- Usable storage compartment
- Adjustable height
- Pre fitted cable

Energy Rating: A

Dimensions (mm):

H:900 x W:600 x D:600

Net Oven Capacity: 72 Litres



50cm Single Cavity Gas Cooker

○ White STUDIO2

- Conventional gas oven
- Integrated grill
- Double glazed door
- 1 Oven shelf and 1 tray
- Grill pan, rack and handle set
- Enamel pan supports
- Easy clean
- Ignition button
- 4 Gas burners
- Includes LPG conversion kit
- Flame failure device

Energy Rating: A

Dimensions (mm):

H:900 x W:500 x D:600

Net Oven Capacity: 51 Litres



50cm Enamel Lid Single Cavity Gas Cooker

○ White LEGACY50GSLF

- Conventional gas oven
- Integrated grill
- Double glazed door
- 1 Oven shelf and 2 trays
- Grill pan, rack and handle set
- Enamel lid
- Enamel pan supports
- Easy clean
- Usable storage compartment
- Ignition button
- Battery operated ignition
- 4 Gas burners
- Includes LPG conversion kit
- Flame failure device

Energy Rating: A

Dimensions (mm):

H:900 x W:500 x D:500

Net Oven Capacity: 49 Litres





60cm Single Cavity Gas Cooker

○ White MAXI60GSF

- Conventional gas oven
- Integrated grill
- Double glazed door
- 1 Oven shelf and 1 tray
- Grill pan, rack and handle set
- Enamel pan supports
- Easy clean
- 4 Gas burners
- Removable door
- Usable storage compartment
- Includes LPG conversion kit
- Flame failure device

Energy Rating: A

Dimensions (mm):

H:900 x W:600 x D:600

Net Oven Capacity: 63 Litres



50cm Double Oven Electric Cooker

○ White EDC50W ● Black EDC50B ● Silver EDC50S



- Double oven
- Integrated grill
- Ceramic hob
- Fan assisted main oven
- 2 Chrome shelves
- 1 Deep tray with wired chrome grid
- Double glazed door
- Adjustable height
- 2 Oven lights
- Pre-fitted cable



Energy Rating: **A**

Dimensions (mm):
H:900 x W:500 x D:600

Net Main Oven Capacity: 50 Litres
Net Top Oven Capacity: 31 Litres

60cm Double Oven Electric Cooker

○ White EDC60W2 ● Black EDC60B2 ● Silver EDC60S2



- Double oven
- Integrated grill
- Ceramic hob
- Fan assisted main oven
- 2 Chrome shelves
- 1 Deep tray with wired chrome grid
- Double glazed door
- Moulded enamel oven walls
- 2 Oven lights
- Adjustable height
- Pre-fitted cable



Energy Rating: **A**

Dimensions (mm):
H:900 x W:600 x D:600

Net Main Oven Capacity: 63 Litres
Net Top Oven Capacity: 36 Litres



50cm Glass Lid Twin Cavity Gas Cooker

○ White GTL50W

- Double oven
- Separate grill
- Double glazed door
- 2 Chrome shelves
- 1 Deep tray with wired chrome grid
- Moulded enamel walls
- 2 Oven lights
- 4 Gas burners
- Enamel pan supports
- Glass lid
- Ignition button with cable
- Thermostat
- Includes LPG conversion kit
- Flame failure device

Energy Rating: A

Dimensions (mm):

H:900 x W:500 x D:600

Net Main Oven Capacity: 53 Litres

Net Top Oven Capacity: 29 Litres



60cm Glass Lid Double Oven Gas Cooker

○ White GDL60W2

- Double oven
- Separate grill
- Double glazed door
- 2 Chrome shelves
- 1 Deep tray with wired chrome grid
- Moulded enamel walls
- 2 Oven lights
- 4 Gas burners
- Enamel pan supports
- Glass lid
- Ignition button with cable
- Thermostat
- Included LPG conversion kit
- Flame failure device

Energy Rating: A+

Dimensions (mm):

H:900 x W:600 x D:600

Net Main Oven Capacity: 62 Litres

Net Top Oven Capacity: 27 Litres

Built-In Single Fan Oven

● **Stainless Steel** BSF60SS ○ **White** BSF60WH ● **Black** BSF60BL



- 70L capacity oven with fan assisted cooking
- 4 Cooking functions
- 2 Hour timer
- 2 Oven shelves
- 1 Universal pan
- Easy clean enamel interior
- Removable door
- Pre-fitted 13a cable



Energy Rating: A

Dimensions (mm):

H:595 x W:595 x D:575

Net Oven Capacity: 70 Litres



For installation diagrams, please see page 56

Built-In Single Multifunctional Oven

● **Stainless Steel** BSM60SS ● **Black** BSM60BL



- 70L capacity multifunction oven with fan assisted cooking
- 8 Cooking functions
- Programmable timer with led display
- 2 Oven shelves
- 1 Universal pan
- Easy clean enamel interior
- Removable door
- Pre-fitted 13a cable



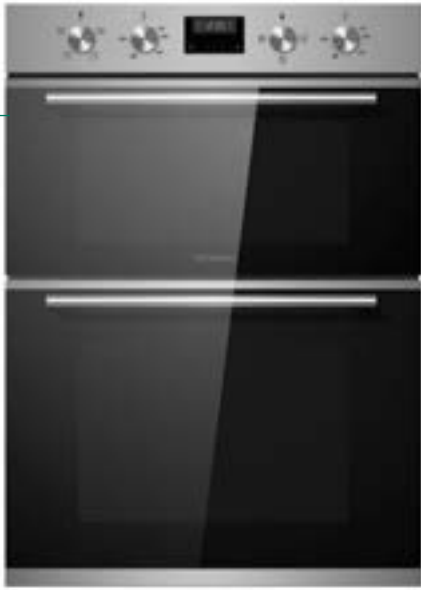
Energy Rating: A

Dimensions (mm):

H:595 x W:595 x D:575

Net Oven Capacity: 70 Litres

For installation diagrams, please see page 56



Built In 35/70L Multifunction Double Oven

● **Stainless Steel** BDM373SS ● **Black** BDM373BL

- Top cavity capacity: 35L
- Bottom cavity capacity: 70L
- 3 Cooking functions
- 2 Oven shelves
- Catalytic oven liners
- 1 Deep pan
- 3 Top cavity shelf positions
- 5 Bottom cavity shelf positions



- Removable rack supports
- Open and closed door grilling
- 2-Layer flat glass door
- Digital minute minder
- LED display

Energy Rating: A

Dimensions (mm):

H:885 x W:595 x D:575

Net Oven Capacity: 110 Litres

Net Main Oven Capacity: 72 Litres

Net Top Oven Capacity: 38 Litres

For installation diagrams, please see page 57





60cm 4 Plate Electric Hob

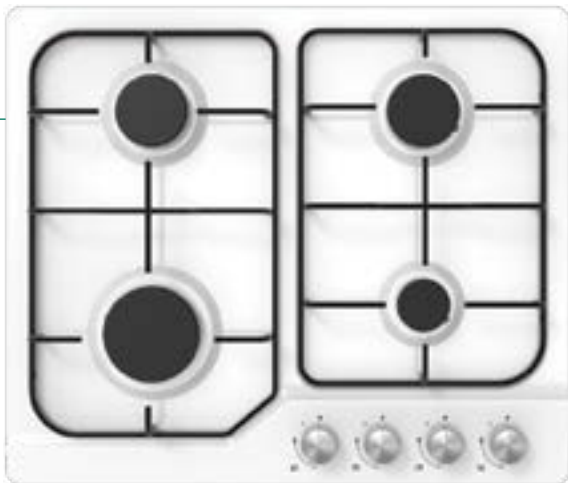
● **Stainless Steel** ESH630SS ○ **White** ESH630WH

- 2 x large hotplates
- 2 x small hotplates
- Side dial control
- Easy clean hob surface

Dimensions (mm):

H:40 x W:580 x D:510

For installation diagrams, please see page 57



60cm 4 Zone Gas Glass Hob

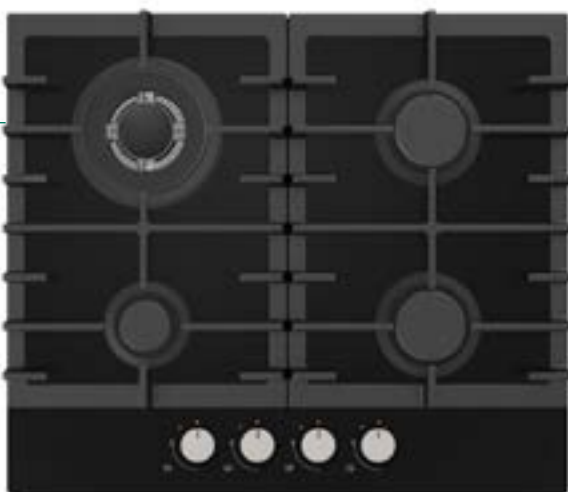
○ **White** GH160WH

- 4 Burners: 1 wok, 2 semi-rapid and 1 simmer
- Automatic ignition
- Front dial control
- Durable cast iron pan supports
- Includes LPG conversion kit

Dimensions (mm):

H:95 x W:590 x D:510

For installation diagrams, please see page 57



60cm 4 Zone Gas Glass Hob

● **Black** GH160GB

- 4 Burners: 1 wok, 2 semi-rapid and 1 simmer
- Automatic ignition
- Front dial control
- Durable cast iron pan supports
- Includes LPG conversion kit

Dimensions (mm):

H:102 x W:600 x D:510

For installation diagrams, please see page 57



60cm 4 Zone Gas Hob

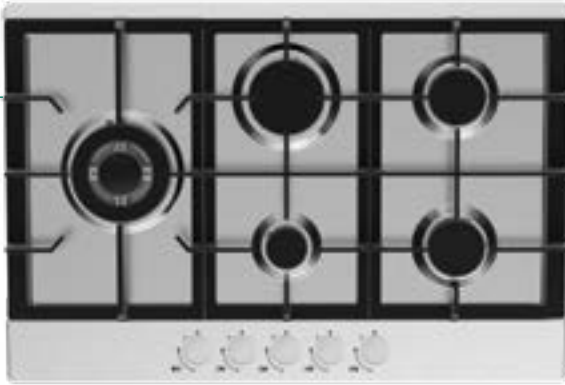
● **Stainless Steel** GH161SS

- 4 Burners: 1 wok, 2 semi-rapid and 1 simmer
- Automatic ignition
- Front dial control
- Durable cast iron pan supports
- Includes LPG conversion kit

Dimensions (mm):

H:90 x W:594 x D:514

For installation diagrams, please see page 57



75cm 5 Zone Gas Hob

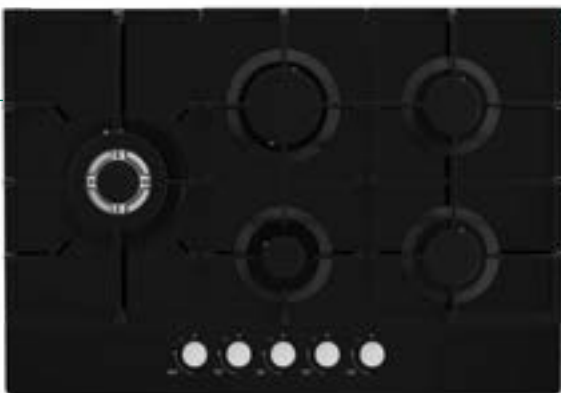
● **Stainless Steel** GH175SS

- 5 Burners: 1 triple crown wok burner, 1 rapid, 2 semi-rapid and 1 simmer
- Automatic ignition
- Front dial control
- Durable cast iron pan supports
- Includes LPG conversion kit

Dimensions (mm):

H:90 x W:760 x D:510

For installation diagrams, please see page 58



75cm 5 Zone Gas Hob

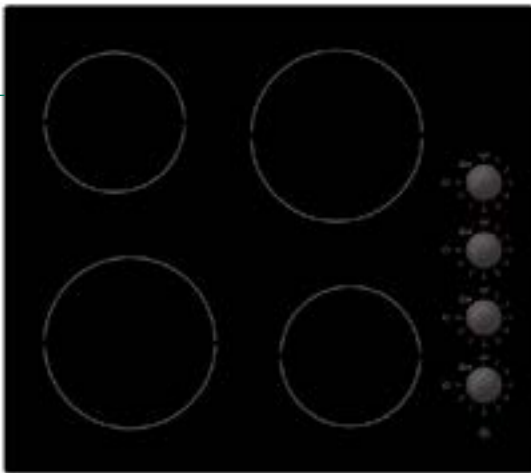
● **Black** GH175GB

- 5 Burners: 1 triple crown wok burner, 1 rapid, 2 semi-rapid and 1 simmer
- Automatic ignition
- Front dial control
- Durable cast iron pan supports
- Includes LPG conversion kit

Dimensions (mm):

H:90 x W:760 x D:510

For installation diagrams, please see page 58



60cm 4 Zone Ceramic Hob with Dial Control

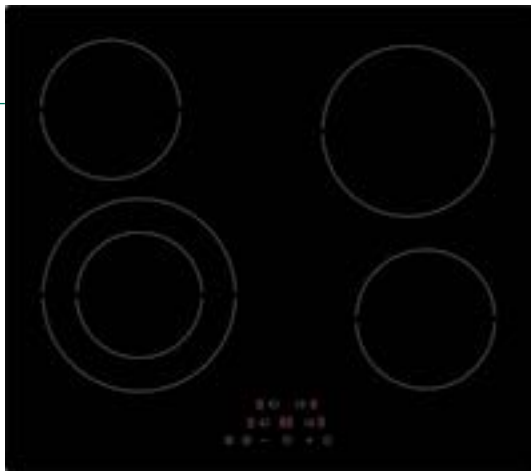
● Black CHZ460D

- 6000W total power output
- Front left/rear right zones: 1.8kW power, 200mm diameter
- Rear left/front right zones: 1.2kW power, 135mm diameter
- 9 Stage power settings
- Side dial control
- Residual heat indicators
- Programmable timer
- Easy clean black Scott glass
- Child lock

Dimensions (mm):

H:50 x W:590 x D:520

For installation diagrams, please see page 57



60cm 4 Zone Ceramic Hob with Touch Control

● Black CHZ460T

- 6400W total power output
- Dual zone function (front left zone only)
- Front left zone: 1.1/2.2kW power, 140/230mm diameter
- Rear left/front right zones: 1.2kW power, 135mm diameter
- Rear right zone: 1.8kW power, 200mm diameter
- 9 Stage power settings
- Programmable timer
- Easy clean black Scott glass
- Touch control
- Child lock

Dimensions (mm):

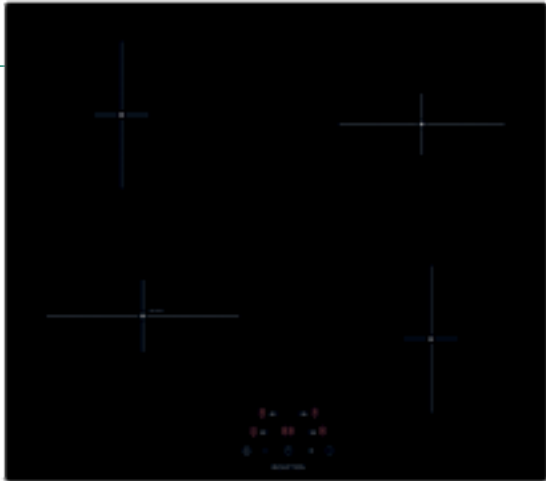
H:50 x W:590 x D:520

For installation diagrams, please see page 57



60cm 4 Zone Induction Hob Touch Control

● **Black** IHZ460



- 6800W total power output
- Boost function (front left zone only)
- Front left zone: 1.8/2.2kW power, 210mm diameter
- Rear left/front right zones: 1.4kW power, 160mm diameter
- Rear right zone: 1.8kW power, 180mm diameter
- Touch control
- Residual heat indicators
- 9 Stage power settings
- Programmable timer
- Easy clean black Scott's glass

Dimensions (mm):

H:58 x W:590 x D:520

For installation diagrams, please see page 57

2 and 4 zone induction hobs with 15min auto cut off timer available.

2 Zone: IHZ230CT

4 Zone: IHZ460CT





60cm Visor Cooker Hood

White VH60WH Stainless Steel VH60SS



- 2 Speed settings
- Extraction rate: 103.1 m³/h
- Slide control
- Metal and aluminium grease filters
- 1.5W LED light
- Noise level: 60 dB(A)

Energy Rating: C

Dimensions (mm):

H:105 x W:600 x D:480

For installation diagrams, please see page 58

60cm Chimney Cooker Hood

● **Stainless Steel** CHM60SS



- 3 Speed settings
- Extraction Rate: 188.2m³/h
- Push button control
- Aluminium mesh washable grease filter
- 1.5W LED light
- Noise level: 65 dB(A)

Energy Rating: B

Dimensions (mm):

H:569 x W:600 x D:450

For installation diagrams, please see page 59

60cm Curved Glass Chimney Cooker Hood

● **Stainless Steel** CGH60GS



- 3 Speed settings
- Extraction rate: 198.4m³/h
- Push button control
- Aluminium mesh washable grease filter
- 1.5W LED light
- Noise level: 65 dB(A)

Energy Rating: B

Dimensions (mm):

H:480 x W:600 x D:440

For installation diagrams, please see page 59

60cm Angled Glass Chimney Cooker Hood

● **Black** ACH60BL



- 3 Speed settings
- Extraction rate: 156.2m³/h
- Push button control
- Aluminium mesh washable grease filter
- 1.5W LED light
- Noise level: 65 dB(A)

Energy Rating: B

Dimensions (mm):

H:400 x W:597 x D:392

For installation diagrams, please see page 59



DISHWASHING

Freestanding · Integrated

STATESMAN



45cm Slimline 10 Place Dishwasher

○ White FD10PWE

- 10 Place settings
- 6 Wash programs: all in one, intensive, ECO, 90 min, glass and soak
- Program indicator
- Half load wash function
- Cold water fill
- Water softness adjustment
- Water consumption (L/cycle): 9
- Energy consumption (kWh/cycle) 0.76
- Noise level: 49dB

Energy Rating: E

Dimensions (mm):

H:845 x W:448 x D:610



60cm 12 Place Dishwasher

○ White FD12PWE

- 12 Place settings
- 6 Wash programs: intensive, all in one, ECO, 90 mins, glass and soak
- Program indicator
- Half load wash function
- Cold water fill
- Water softness adjustment
- Water consumption (L/cycle): 11
- Energy consumption (kWh/cycle): 0.93
- Noise level: 49dB

Energy Rating: E

Dimensions (mm):

H:845 x W:598 x D:610



45cm Slimline 9 Place Integrated Dishwasher

○ White BDW4509

- 9 Place settings
- 5 Wash programs: intensive, normal, eco, 90min, rapid
- Adjustable basket
- 3/6/9 Hour timer
- Indicator lights

Energy Rating: E

Dimensions (mm):

H:815 x W:448 x D:550

For installation diagram, please see page 55



60cm 14 Place Integrated Dishwasher

○ White BDW6014

- 14 place settings
- 5 wash programs: intensive, normal, ECO, 90 min, rapid
- Cutlery basket
- 3/6/9 hour timer
- Water softness adjustment
- LED light

Energy Rating: E

Dimensions (mm):

H:815 x W:598 x D:550

For installation diagram, please see page 55



TECHNICAL

Specifications • Installation Diagrams

Air Fryers	SKAF05015BK	SKAO11015BK	SKAO15017BK
Features			
Type	Air fryer	Air fryer oven	Air fryer oven
Cavity capacity (L)	5.4	10.8	15
Cavity dimensions (HxWxDmm)	132 x 208 x 197	179 x 260 x 232	183 x 275 x 302
Control type	Touch control	Touch control	Touch control
Number of functions	9	10	13
Number of shelf positions	0	3	3
Number of shelves	0	3	3
Oven light	Yes	Yes	Yes
Oven tray included	Yes	Yes	Yes
Power indicator light	Yes	Yes	Yes
Non-stick basket	Yes	-	-
Temperature range (°C)	65 - 200	30 - 200	30 - 200
Variable temperature	Yes	Yes	Yes
360° Hot air function	Yes	Yes	Yes
Accessories included	Crisping Rack	2 Non-stick racks Non-stick drip tray Rotating basket Handle 8pc skewer set Rotisserie fork and spit	2 Non-stick racks Non-stick drip tray Rotating basket Removable handle 8pc skewer set Rotisserie fork and spit
Non-slip feet	Yes	Yes	Yes
Heat resistant housing	Yes	Yes	Yes
Auto shut-off	Yes	Yes	Yes
Dishwasher safe parts	Yes	Yes	Yes
Viewing window	Yes	Yes	Yes
Timer	Yes	Yes	Yes
Display type	Digital LCD	LED	LED
Programs			
Air fry	Yes	Yes	Yes
Roast	Yes	Yes	Yes
Bake	Yes	Yes	Yes
Grill	Yes	Yes	Yes
Dehydrate	-	Yes	Yes
Rotisserie	-	Yes	Yes
Reheat	Yes	Yes	Yes
Pizza	-	Yes	Yes
Dimensions and Weight			
Product dimensions (HxWxDmm)	276x266x333	369x337x336	356x380x433
Packed dimensions (HxWxDmm)	312x317x376	440x388x388	505x450x420
Net weight (kg)	3.65	7.9	9.8
Gross weight (kg)	4.3	9.3	12.3
Colour			
Colour	Black	Black	Black

Statesman operate a policy of continual improvement and development. We therefore reserve the right to change/alter the specification and appearance without prior notice.

Pizza Ovens

SKPO0W13SS

Features

Type	Wood Fuel
Cooking capacity (inch)	13
Control type	-
Temperature Gauge	Yes
Pizza size	12 inch
Temperature range (°C)	up to 430°C
Variable temperature	-
Accessories included	Pizza peel Waterproof storage cover
Non-slip feet	Yes
Heat resistant housing	Yes
Timer	-

Dimensions and Weight

Product dimensions (HxWxDmm)	
Packed dimensions (HxWxDmm)	780x400x845
Net weight (kg)	265x570x490
Gross weight (kg)	11.7

Colour

Colour	14.1 Black
--------	---------------

Microwaves	SKMS0820DSB/S	SKMG0923DSB/S	SKMC0925SB/S	SKMC0930SB/S
Features				
Type	Digital solo	Digital with grill	Digital combination	Digital combination
Microwave output power (W)	800	900	900	900
Finish	Painted steel	Painted steel	Painted steel	Painted steel
Voltage (V)	230	230	230	230
Frequency (Hz)	50	50	50	50
Wattage (W)	800	900	900	900
Cable length (m)	1.01	1.01	1.01	1.01
Control type	Dials & buttons	Dials & buttons	Dials & buttons	Dials & buttons
Cavity capacity (L)	20	23	25	30
Cavity dimensions (HxWxDmm)	178x315x329	197x340x337	197x340x360	223x354x362
Turntable diameter (mm)	245	270	270	315
Digital display	Yes	Yes	Yes	Yes
Convection cooking function	-	-	Yes	Yes
Convection output power (W)	-	-	1950	2200
Grill function	-	Yes	Yes	Yes
Grill output power (W)	-	1000	1950	1250
Number of power levels	11	11	11	6
Number of auto cooking programmes	8	9	10	10
Defrost function	Yes	Yes	Yes	Yes
Cavity material	Stainless steel	Stainless steel	Stainless steel	Stainless steel
Interior light	Yes	Yes	Yes	Yes
Dimensions and Weight				
Product dimensions (HxWxDmm)	262x452x392	281x483x424	281x483x450	300x539x449
Packed dimensions (HxWxDmm)	292x496x425	337x547x456	362x564x480	366x608x480
Net weight (kg)	11.9	13.7	15.2	19
Gross weight (kg)	13	14.9	16.3	20.1
Colour				
Colour	Black, Silver	Black, Silver	Black, Silver	Black, Silver

Beer Dispenser **SKBD500SS**

Features	
Finish	Stainless steel
Voltage (V)	220-240
Frequency (Hz)	50
Wattage (W)	65
Cable length (m)	1.2
Capacity (L)	5
Maximum operating pressure (bar)	60kg
Cooling time at room temperature (23°C) (hours)	21
Number of CO ₂ cannisters included	3
Suitable for pre-carbonated 5L kegs	Yes
Suitable for non-carbonated 5L keg	Yes
Removable drip tray	Yes
Cooling function	Yes
Variable temperature control	Yes
Variable temperature range (°C)	2-12
Keg adapter	Yes
Cleaning bottle	Yes
Dimensions and Weight	
Product dimensions (HxWxDmm)	430x272x414
Packed dimensions (HxWxDmm)	470x334x460
Net weight (kg)	6.65
Gross weight (kg)	7.90
Colour	
Colour	Black

Statesman operate a policy of continual improvement and development. We therefore reserve the right to change/alter the specification and appearance without prior notice.

Washing Machines

	FWM1610W	FWM1714E	FWM1914W	BIW0814
Features				
Fit type	Freestanding	Freestanding	Freestanding	Integrated
Spin speed (rpm)	1000	1400	1400	1400
Load capacity (kg)	6	7	9	8
Water inlet	Cold	Cold	Cold	Cold
Variable spin	Yes	Yes	Yes	No
Delay timer	Yes	Yes	Yes	Yes
Delay timer length	Up to 12 hours	Up to 24 hours	Up to 24 hours	Up to 24 hours
Child lock	Yes	Yes	Yes	Yes
LED panel	-	Yes	Yes	Yes
Control type	Dial/Button	Dial/Button	Dial/Button	Dial/Button
Inverter motor	-	-	-	Yes
Programs				
Spin	Yes	Yes	Yes	Yes
Rinse	Yes	Yes	Yes	Yes
Prewash	Yes	Yes	Yes	Yes
Quick wash	15min	15min	15min	15min
Number of Wash Programs	15	15	15	16
Performance				
Energy rating <i>(New 2021 Energy Labelling Regulations)</i>	D	A	A	B
Energy consumption per cycle (kWh)	0.65	0.44	0.49	0.545
Voltage (V)	220-240	220-240	220-240	220-240
Frequency (Hz)	50	50	50	50
Power rating (W)	2050	1950	1950	1950
Weighted water consumption per cycle (lt)	43	45	50	48
Program duration at rated capacity (min)	198	208	228	218
Spin-drying efficiency	C	B	B	B
Spin noise level (dB)	80	72	72	76
Spin noise class	C	A	A	B
Dimensions and Weight				
Product dimensions (HxWxDmm)	845x593x480	850x595x529	895x595x549	825x595x540
Packed dimensions (HxWxDmm)	870x645x492	885x650x555	885x650x575	875x680x605
Net weight (kg)	52	60	61	63
Gross weight (kg)	54	63	65	66
Colour				
Colour	White	White	White	White

Statesman operate a policy of continual improvement and development. We therefore reserve the right to change/alter the specification and appearance without prior notice.

Washer Dryers	XD0806WE	BXD0806
Features		
Fit type	Freestanding	Integrated
Spin speed (rpm)	1400	1400
Wash capacity (kg)	8	8
Drying Capacity (kg)	6	6
Water inlet	Cold	Cold
Add garment function	-	-
Variable spin	Yes	Yes
Delay timer	Yes	Yes
Delay timer length	24 Hours	24 Hours
Child lock	Yes	Yes
LED panel	Yes	Yes
Control type	Dial/Button	Dial/Button
Heat Settings	Cold/20/30/ 40/60/90	Cold/20/30/ 40/60/90
Drying Programs	4	3
Programs		
Quick Wash	Yes	Yes
Extra Rinse	Yes	Yes
Prewash	Yes	-
Easy Iron	Yes	Yes
Extra Wash	Yes	-
Number of Programs	16	16
Performance		
Energy rating (wash only)	B	B
Energy rating (wash and dry)	E	E
Energy consumption per cycle wash only (kWh)	0.544	0.545
Energy consumption per cycle wash and dry (kWh)	3.7	3.6
Voltage (V)	220~240	220~240
Frequency (Hz)	50	50
Power rating (W)	1900	1900
Water consumption per cycle (lt)	Wash and dry: 90 Wash only: 48	Wash and dry: 90 Wash only: 48
Spin noise level (dB)	76	76
Spin noise class	B	B
Dimensions and Weight		
Product dimensions (HxWxDmm)	850x595x475	825x595x540
Packed dimensions (HxWxDmm)	885x650x555	875x680x605
Net weight (kg)	65	64
Gross weight (kg)	68	68
Colour		
Colour	White	White

Tumble Dryers	TVM07W	TCM08W	THP18W
Features			
Drying type	Vented	Condenser	Heat Pump Condenser
Drying control	Sensor	Sensor	Sensor
Drying capacity (kg)	7	8	8
Door opening angle°	165	165	170
Door diameter (inner mm)	375	375	375
Drum material	Steel	Steel	Steel
Venting position	Rear	N/A	N/A
Water collection	N/A	Yes	Yes
Number of programs	4	16	16
Reduced Ironing	Yes	Yes	Yes
Child lock	Yes	Yes	Yes
Performance			
Energy rating	C	B	A++
Voltage (V)	220~240	220~240	220~240
Power rating (W)	2000	2700	800
Frequency (Hz)	50	50	50
Cycle duration (mins)	130	140	210
Noise level (dB)	69	69	65
Dimensions and Weight			
Product dimensions (HxWxDmm)	840x595x550	845x595x615	845x595x600
Packed dimensions (HxWxDmm)	890x665x575	880x660x680	885x685x695
Net weight (kg)	33	41	40
Gross weight (kg)	36	44	43
Colour			
Colour	White	White	White

Statesman operate a policy of continual improvement and development. We therefore reserve the right to change/alter the specification and appearance without prior notice.

Under Counter Refrigeration	UC47LFW	UC47IBW	UC47FZW	R155W/B/S	L255W/B/S	U355W/B/S
Features						
Type	U/C Fridge	U/C Fridge/Freezer	U/C Freezer	U/C Fridge	U/C Fridge	U/C Freezer
Fit type	Freestanding	Freestanding	Freestanding	Freestanding	Freestanding	Freestanding
Internal light	Yes	Yes	No	Yes	Yes	-
Adjustable feet	Yes	Yes	Yes	Yes	Yes	Yes
Reversible doors	Yes	Yes	Yes	Yes	Yes	Yes
Star rating	-	4	4	4	-	4
Auto defrost	-	-	-	-	-	-
Frost free	-	-	-	-	-	-
HFC free	Yes	Yes	Yes	Yes	Yes	Yes
Climate class	ST/N	ST/N	ST/N	ST/N	ST/N/SN	ST/N/SN
Performance						
Energy rating	E	E	E	E	E	E
Energy consumption (kWh/24hr)	0.24	0.38	0.43	0.39	0.25	0.45
Voltage (V-AC)	220~240	220~240	220~240	220~240	220~240	220~240
Frequency (Hz)	50	50	50	50	50	50
Refrigerant	R600a	R600a	R600a	R600a	R600a	R600a
Gross total volume (ltr)	93	80	60	113	131	88
Net refrigerant volume (ltr)	93	68	-	97	131	-
Net freezing volume (ltr)	-	12	60	16	-	88
Freezing capacity (kg/24hr)	-	2	6	2	-	4
Dimensions and Weight						
Gross weight	22.6	22.8	22.6	29	28.7	29.5
Product dimensions (HxWxDmm)	864x472x446	845x475x445	845x475x445	845x553x574	845x553x574	845x553x574
Packed dimension (HxWxDmm)	890x490x460	865x490x460	865x490x460	865x578x598	865x578x598	865x578x598
Colour						
Colour	White	White	White	White, Black Silver	White, Black Silver	White, Black Silver

Integrated Under Counter	BU160LF4E	BU160FZ4E
Features		
Type	U/C Fridge	U/C Freezer
Fit type	Integrated	Integrated
Internal light	Yes	-
Adjustable feet	Yes	Yes
Reversible doors	Yes	Yes
Star rating	-	4
Auto defrost	-	-
Frost free	-	-
HFC free	Yes	Yes
Climate class	SN	SN
Performance		
Energy rating	E	E
Energy consumption (kW/24h)	0.32	0.60
Voltage (V-AC)	220~240	220~240
Frequency (Hz)	50	50
Refrigerant	R600a	R600a
Gross total volume (ltr)	134	96
Net refrigerant volume (ltr)	134	-
Net freezing volume (lt/cft)	-	96
Freezing capacity (kg/24hr)	-	5
Dimensions and Weight		
Gross weight	31	37
Product dimensions (HxWxDmm)	818x595x548	818x595x548
Packed dimension (HxWxDmm)	883x659x586	883x659x586
Colour		
Colour	White	White

Chest Freezers	CHF100	CHF150	CHF198
Features			
Internal Light	No	No	No
Adjustable Feet	Yes	Yes	Yes
Star Rating	4	4	4
HFC Free	Yes	Yes	Yes
Climate Class	SN/N/ST	SN/N/ST	SN/N/ST
Performance			
Energy Rating	E	E	E
Energy Consumption (kWh/24hr)	0.5	0.5	0.5
Voltage (V-AC)	230	230	230
Frequency (Hz)	50	50	50
Noise Level (dB)	38	40	41
Refrigerant	R600a	R600a	R600a
Gross Total Volume (ltr)	99	143	198
Net Freezing Volume (ltr)	99	143	198
Freezing Capacity (lg/24hr)	4.5	6.5	9
Dimensions and Weight			
Gross weight	24.5	25.2	28.3
Product dimensions (HxWxDmm)	850x547x446	850x600x560	850x770x560
Packed dimension (HxWxDmm)	870x574x463	870x629x578	870x797x578
Colour			
Colour	White	White	White

Statesman operate a policy of continual improvement and development. We therefore reserve the right to change/alter the specification and appearance without prior notice.

Freestanding Refrigeration	TL235LWE	TL335LWE	TF160LWE	TF170LWE	F1230APWE	F1448W
Features						
Type	Tall Fridge	Tall Fridge	Tall Freezer	Tall Freezer	Fridge Freezer	Fridge Freezer
Fit type	Freestanding	Freestanding	Freestanding	Freestanding	Freestanding	Freestanding
Internal light	Yes	Yes	No	No	Yes	Yes
Adjustable feet	Yes	Yes	Yes	Yes	Yes	Yes
Reversible doors	Yes	Yes	Yes	Yes	Yes	Yes
Star rating	-	-	4	4	4	4
Auto defrost	-	-	-	-	-	-
Frost free	-	-	-	-	-	-
Total no frost	-	-	-	-	-	-
HFC free	Yes	Yes	Yes	Yes	Yes	Yes
Climate class	ST/N	ST/N	ST/N	ST/N	ST/N	ST/N
Performance						
Energy rating	E	E	E	E	E	E
Energy consumption (kW/24h)	0.28	0.40	0.50	0.74	0.48	0.51
Voltage (V-AC)	220~240	220~240	220~240	220~240	220~240	220~240
Frequency (Hz)	50	50	50	50	50	50
Refrigerant	R600a	R600a	R600a	R600a	R600a	R600a
Total volume (lt)	230	331	160	242	151	142
Net refrigerant volume (lt)	230	331	-	-	112	87
Net freezing volume (lt)	-	-	160	242	39	55
Freezing capacity (kg/24hr)	-	-	7.2	11	2.4	2.5
Dimensions and Weight						
Gross weight	41.5	56	44	64	36	40
Product dimensions (HxWxDmm)	1420x550x550	1715x600x590	1420x550x550	1710x600x605	1230x500x580	1440x480x505
Packed dimension (HxWxDmm)	1450x585x585	1783x650x635	1450x585x585	1783x650x635	1284x530x618	1517x510x560
Colour						
Colour	White	White	White	White	White	White

Freestanding Refrigeration	F13552W	F1655W/X	FF1547W	TNF18552W/X	MD018362NI	TNF1860WE/XE
Features						
Type	Fridge Freezer	Fridge Freezer	Fridge Freezer	Fridge Freezer	Fridge Freezer	Fridge Freezer
Fit type	Freestanding	Freestanding	Freestanding	Freestanding	Freestanding	Freestanding
Internal light	Yes	Yes	Yes	Yes	Yes	Yes
Adjustable feet	Yes	Yes	Yes	Yes	Yes	Yes
Reversible doors	Yes	Yes	Yes	Yes	Yes	Yes
Water dispenser	-	-	-	-	-	-
Star rating	4	4	4	4	4	4
Auto defrost fridge	-	-	Yes	Yes	-	Yes
Frost free	-	-	Yes	-	-	-
Total no frost	-	-	-	Yes	Yes	Yes
HFC free	Yes	Yes	Yes	Yes	Yes	Yes
Climate class	ST/N	N	SN/N/ST	N/ST	SN/N/ST/T	SN/N/ST
Performance						
Energy rating	E	E	E	E	E	E
Energy consumption (kWh/Annum)	0.55	0.59	0.56	0.62	0.17	0.68
Voltage (V-AC)	220~240	220~240	220~240	220~240	220~240	220~240
Frequency (Hz)	50	50	50	50	50	50
Noise level (dB)		40	41	40	39	40
Refrigerant	R600a	R600a	R600a	R600a	R600a	R600a
Total volume (lt)	185	235	179	247	362	323
Net refrigerant volume (lt)	114	139	120	165	237	219
Net freezing volume (lt)	71	96	53	82	125	104
Freezing capacity (kg/24hr)	3.2	4.4	3	3.7		6.4
Dimensions and Weight						
Gross weight	46	55	42	55	87	72
Product dimensions (HxWxDmm)	1365x550x570	1655x550x570	1500x470x566	1810x545x600	1800x795x630	1840x600x665
Packed dimension (HxWxDmm)	1415x575x605	1706x575x605	1540x505x583	1885x577x622	1895x857x665	1931x640x715
Colour						
Colour	White	White, Inox	White	White, Inox	Inox	White, Inox

Statesman operate a policy of continual improvement and development. We therefore reserve the right to change/alter the specification and appearance without prior notice.

Freestanding Refrigeration SBS177X

Features	
Type	Fridge Freezer
Fit type	Freestanding
Internal light	Yes
Adjustable feet	Yes
Reversible doors	Yes
Water dispenser	-
Star rating	4
Auto defrost fridge	Yes
Frost free	-
Total no frost	Yes
HFC free	Yes
Climate class	ST/N/ST
Performance	
Energy rating	E
Energy consumption (kW/24h)	0.86
Voltage (V-AC)	220~240
Frequency (Hz)	50
Noise level (dB)	40
Refrigerant	R600a
Gross total volume (lt)	532
Net refrigerant volume (lt)	347
Net freezing volume (lt)	185
Freezing capacity (kg/24hr)	14
Dimensions and Weight	
Gross weight	86
Product dimensions (HxWxDmm)	1770x905x670
Packed dimension (HxWxDmm)	1862x972x710
Colour	
Colour	Inox

Integrated Refrigeration BIFF17030FF BIFF15050FF

Features		
Type	Fridge Freezer	Fridge Freezer
Fit type	Integrated	Integrated
Internal light	Yes	Yes
Adjustable feet	No	No
Reversible doors	Yes	Yes
Star rating	4	4
Auto defrost fridge	Yes	Yes
Frost free	Yes	Yes
Total no frost	-	-
HFC free	Yes	Yes
Climate class	T/N	T/N
Performance		
Energy rating	E	E
Energy consumption (kW/annum)	273	290
Voltage (V-AC)	220~240	220~240
Frequency (Hz)	50	50
Refrigerant	R600a	R600a
Total volume (lt)	242	229
Net refrigerant volume (lt)	180	145
Net freezing volume (lt)	68	85
Freezing capacity (kg/24hr)	3.3	3.9
Dimensions and Weight		
Gross weight	53	56.5
Product dimensions (HxWxDmm)	1770x540x545	1770x540x545
Packed dimension (HxWxDmm)	1834x584x577	1834x584x577
Colour		
Colour	White	

Cookers DELTA50W FUSION50W NAPIER60EW STUDIO2 LEGACY50GSLF MAXI60GSF

Features						
Fuel type	Electric	Electric	Electric	Gas	Gas	Gas
Pan supports	-	-	-	Enamel	Enamel	Enamel
Lid	-	-	-	-	Yes	-
Storage compartments	Yes	-	-	-	Yes	-
Hob				Burner		
Type	Hotplate	Hotplate	Hotplate	-	Burner	Burner
Rear left hotplate (kW)	1.5	1.5	1.5	-	-	-
Front left hotplate (kW)	1	1	1.5	-	-	-
Front right hotplate (kW)	2	2	2	-	-	-
Rear right hotplate (kW)	1	1	1	1	-	-
Number of Auxiliary Burners				1	1	1
Number of Rapid Burners				2	1	1
Number of Semi-Rapid Burners					2	2
Controls				Yes		
Button ignition	-	-	-	Yes	Yes	Yes
Double glazed door	Yes	Yes	Yes	Yes	Yes	Yes
LPG conversion kit	-	-	-	51	Yes	Yes
Main Cavity Capacity	55	55	72		49	63
Top Cavity Capacity		31				
Performance				A		
Energy rating	A	A	A	-	A	A
Energy consumption (kW/24hr)	17.52	17.52	19.20		-	-
Dimensions and Weight				900x500x600		
Product dimensions (HxWxDmm)	900x500x600	900x500x600	900x500x600	974x545x684	900x500x500	900x600x600
Packed dimensions (HxWxDmm)	974x545x684	974x545x684	977x645x684	37	967x545x684	977x645x684
Net weight (kg)	43	43	46	40	36	43
Gross weight (kg)	46.2	46	49.5		39	46.5
Colour				White		
Colour	White	White	White		White	White

Statesman operate a policy of continual improvement and development. We therefore reserve the right to change/alter the specification and appearance without prior notice.

Cookers	EDC50W/B/S	EDC60W2/B2/S2	TDC60X	GTL50W	GDL60W2
Features					
Fuel type	Electric	Electric	Electric	Gas	Gas
Pan supports	-	-	-	Enamel	Enamel
Lid	-	-	-	Yes	Yes
Storage compartments	-	-	-	-	-
Hob					
Type	Heat Zone	Heat Zone	Heat Zone	Burner	Burner
Rear left hotplate (kW)	1.2	1.2	1.2	-	-
Front left hotplate (kW)	1.8	1.8	1.8	-	-
Front right hotplate (kW)	1.2	1.2	1.2	-	-
Rear right hotplate (kW)	1.8	1.8	1.8	-	-
Number of Auxiliary Burners				1	1
Number of Rapid Burners				1	1
Number of Semi-Rapid Burners				2	2
Controls					
Button ignition	-	-	-	Yes	Yes
Removable door	Yes	Yes	Yes	Yes	Yes
LPG conversion kit	-	-	-	Yes	Yes
Net main oven volume (lt)	50	63	63	53	62
Net main top volume (lt)	31	36	36	29	27
Performance					
Energy rating	A	A	A	A+	A+
Energy consumption (kW/24hr)					
Main oven	17.52	18.48	18.48	-	1.35
Top oven	17.28	17.76	17.76	-	-
Dimensions and Weight					
Product dimensions (HxWxDmm)	900x500x600	900x600x600	900x600x600	900x500x600	900x600x600
Packed dimensions (HxWxDmm)	922x555x694	980x655x694	977x645x684	922x555x694	980x655x694
Net weight (kg)	46	48.9	50.3	45.9	49.0
Gross weight (kg)	47.1	50.5	52.3	47.3	50.5
Colour					
Colour	White	White, Black, Silver	Inox	White	White

Built-In Ovens	BSF60SS/BL/WH	BSM60SS/BL	BDM373SS/BL
Features			
Fuel type	Electric	Electric	Electric
Controls type	Manual	Digital	Digital
LED panel	-	Yes	Yes
Program electronic timer	-	Yes	Yes
Light	Yes	Yes	Yes
Removable door	Yes	Yes	Yes
Easy clean enamel	Yes	Yes	-
Catalytic liners	-	-	Yes
Defrost	Yes	Yes	Yes
Fan oven	Yes	Yes	Yes
Fan assisted cooking	Yes	Yes	Yes
Fan assisted grilling	-	Yes	Yes
Dual grilling	-	Yes	Yes
Top oven volume (lt)	-	-	38
Main oven volume (lt)	-	-	72
Net oven volume (lt)	70	70	110
Performance			
Energy rating	A	A	A
Dimensions and Weight			
Product dimensions (HxWxDmm)	595x595x575	595x595x575	885x595x575
Packed dimensions (HxWxDmm)	670x648x688	668x648x688	965x693x718
Net weight (kg)	32	32	49.8
Gross weight (kg)	36	36	54.6
Colour			
Colour	Stainless Steel, Black, White	Stainless Steel, Black	Stainless Steel, Black

Statesman operate a policy of continual improvement and development. We therefore reserve the right to change/alter the specification and appearance without prior notice.

Hobs	GH60WH	GH61SS	GH60GB	GH75SS
Features				
Type	Gas	Gas	Gas	Gas
Cooking zones	4	4	4	5
Residual heat indicator	-	-	-	-
Control type	Dial	Dial	Dial	Dial
Control position	Front	Front	Front	Front
Pan supports	Enamel	Cast iron	Cast iron	Cast iron
Ignition type	Push Knob	Push Knob	Push Knob	Push Knob
Flame failure device	Yes	Yes	Yes	Yes
LPG conversion kit	Yes	Yes	Yes	Yes
Child lock	-	-	-	-
Performance				
Voltage	220~240	220~240	220~240	220~240
Front left rating (kW)	-	-	-	-
Front right rating (kW)	-	-	-	-
Rear left rating (kW)	-	-	-	-
Rear right rating (kW)	-	-	-	-
Middle rating (kW)	-	-	-	-
Number of Auxiliary Burners	1	1	1	1
Number of Rapid Burners	1	-	-	1
Number of Semi-Rapid Burners	2	2	2	2
Number of Triple Crown Burners	-	1	-	1
Number of Wok Burners	-	1	1	1
Dimensions and Weight				
Product dimensions (HxWxDmm)	95x600x510	90x594x514	102x600x510	90x750x510
Packed dimensions (HxWxDmm)	168x652x562	173x672x582	180x678x590	188x833x598
Aperture dimensions (WxDmm)	560x480	560x490	560x490	560x490
Colour				
Colour	White	Stainless Steel	Black Glass	Stainless Steel

Hobs	CHZ460D	CHZ460T	IHZ460	ESH630WH/SS
Features				
Type	Ceramic	Ceramic	Induction	Solid Plate
Cooking zones	4	4	4	4
Residual heat indicator	Yes	Yes	Yes	-
Control type	Dial & Touch	Touch	Touch	Dial
Control position	Side	Front	Front	Side
Pan supports	-	-	-	-
Flame failure device	-	-	-	-
LPG conversion kit	-	-	-	-
Child lock	No	No	Yes	-
Programmable timer	No	Yes	Yes	-
Performance				
Voltage	220~240	220~240	220~240	220~240
Front left rating (kW)	1.8	2.2	2.2	1.5
Front right rating (kW)	1.2	1.2	1.4	1
Rear left rating (kW)	1.2	1.2	1.4	1
Rear right rating (kW)	1.8	1.8	1.8	1.5
Middle rating (kW)	-	-	-	-
Dimensions and Weight				
Product dimensions (HxWxDmm)	50x590x520	50x590x520	58x590x520	40x580x510
Packed dimensions (HxWxDmm)	120x660x590	115x650x580	115x650x580	152x640x584
Aperture dimensions (WxDmm)	-	-	-	560x490
Colour				
Colour	Black	Black	Black	Stainless Steel, White

Statesman operate a policy of continual improvement and development. We therefore reserve the right to change/alter the specification and appearance without prior notice.

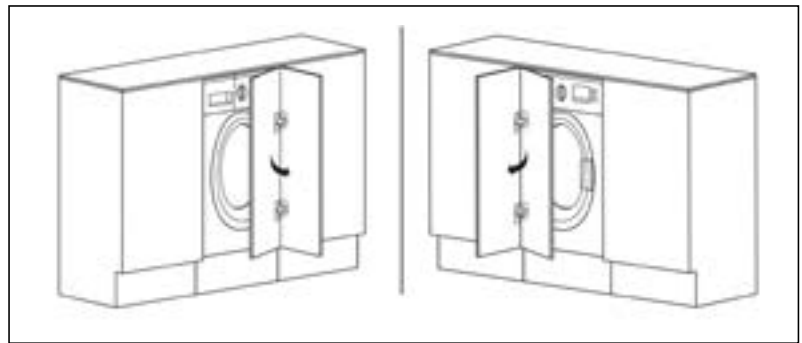
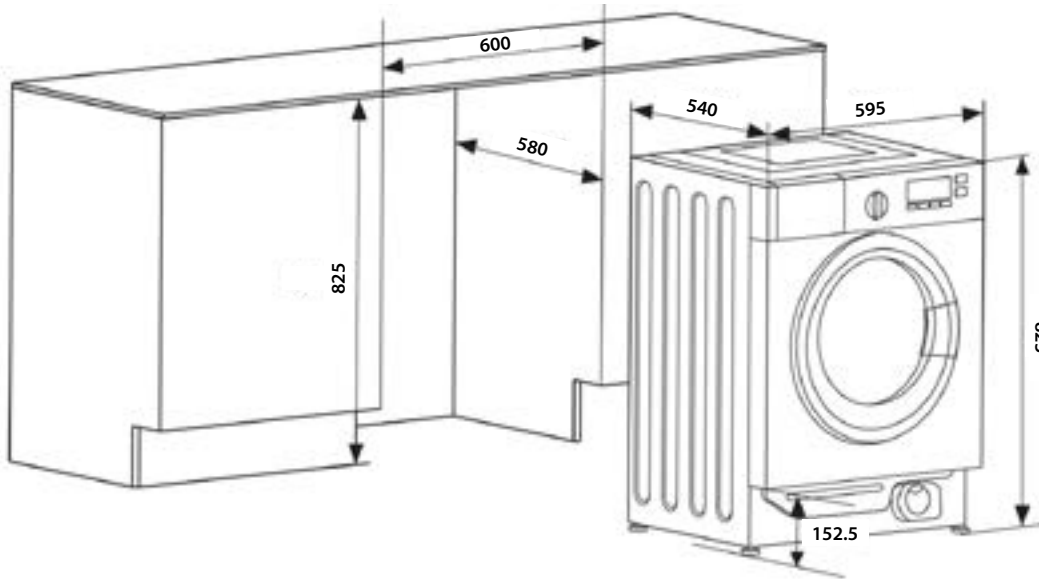
Hoods	VH60WH/SS	CHM60SS	CGH60GS
Features			
Type	Visor	Chimney	Chimney curved glass
Light	1 x LED 1.5W	2 x 1.5W	2 x LED 1.5W
Speed settings	2	3	3
Grease filter type	Metal and Aluminium	Aluminium	Aluminium
Performance			
Energy rating	C	B	B
Noise level (dB)	60	65	65
Air Flow at Maximum Speed in Normal Use (m ³ /hr)	166	333.3	336.9
Energy consumption (kW/annum)	42.9	26.3	28.6
Dimensions and Weight			
Product dimensions (HxWxDmm)	105x600x480	569x600x450	440x600x480
Packaging dimensions (HxWxDmm)	540x640x145	520x655x245	555x660x265
Gross weight (kg)	5.3	6.4	9.4
Hose diameter (mm)	120	150	150
Net Weight			
Colour			
Colour	White, Stainless Steel	Stainless Steel	Stainless Steel

Dishwashers	FD10PWE	FD12PWE	BDW4509	BDW6014
Features				
Type	Freestanding	Freestanding	Integrated	Integrated
Place settings	10	12	9	14
Adjustable basket	Yes	Yes	Yes	Yes
Indicator lights	Yes	Yes	Yes	Yes
Temperatures (°C)	45/50/55/60/65/70	45/50/55/60/65/70	45/50/55/65	45/50/55/60/65
Flood protection	Yes	Yes	Yes	Yes
Heater protection	Yes	Yes	Yes	Yes
Wash cycle indicators	Yes	Yes	Yes	Yes
Programmes				
Prewash	Yes	Yes	-	-
Eco	45-60°C	45-60°C	45-66°C	45-60°C
Intensive	50-65°C	50-60°C	50-65°C	50-65°C
All in one/3-in-1	50-70°C	50-70°C	-	-
Normal/Universal	-	-	45-65°C	45-65°C
Rapid	-	-	45-50°C	45-50°C
90 Mins	60-65°C	60-65°C	60-65°C	60-65°C
Glass	50-65°C	50-65°C		
Delay Timer Length (Hrs)	1-24	1-24	3/6/9	3/6/9
Performance				
Noise level (db)	49	49	49	49
Energy consumption (kWh/cycle)	0.741	0.923	0.704	0.95
Voltage	230	230	220-240	220-240
Frequency	50	50	50	50
Energy rating	E	E	E	E
Dimensions and Weight				
Product dimensions (HxWxDmm)	845x448x610	845x598x610	815x448x550	815x598x550
Packed dimensions (HxWxDmm)	890x495x672	890x645x672	890x495x645	890x645x645
Net weight (kg)	35.5	41	29	32.5
Gross weight (kg)	40.5	46.5	34	38.5
Colour				
Colour	White	White	White	White

Statesman operate a policy of continual improvement and development. We therefore reserve the right to change/alter the specification and appearance without prior notice.

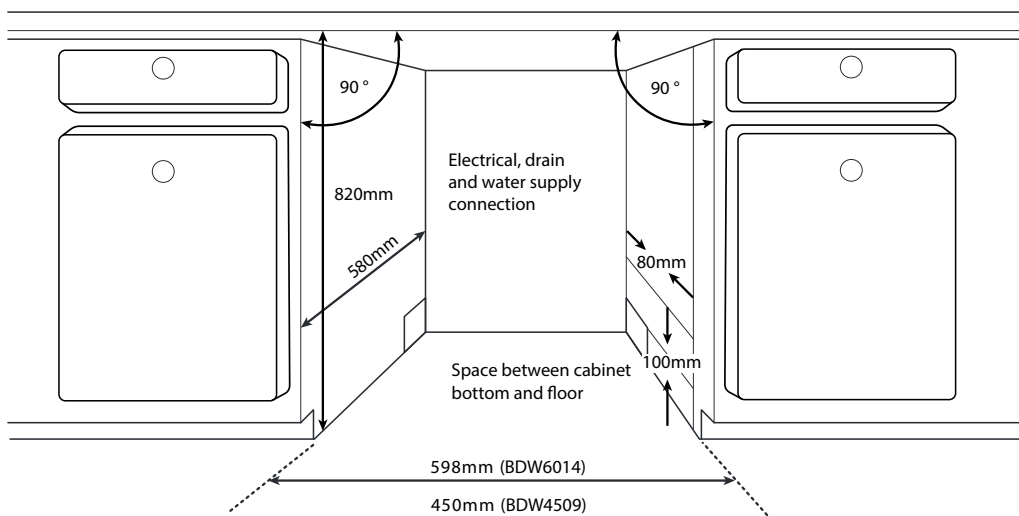
BIW10814
8kg Integrated Washing Machine

BXD0806
8kg/6kg Integrated Washer Dryer



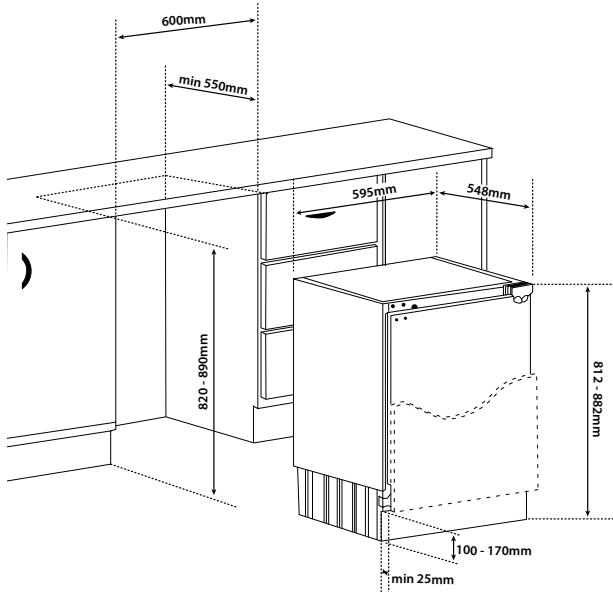
BDW4509
45cm Slimline 9 Place Integrated Dishwasher

BDW6014
60cm 14 Place Integrated Dishwasher

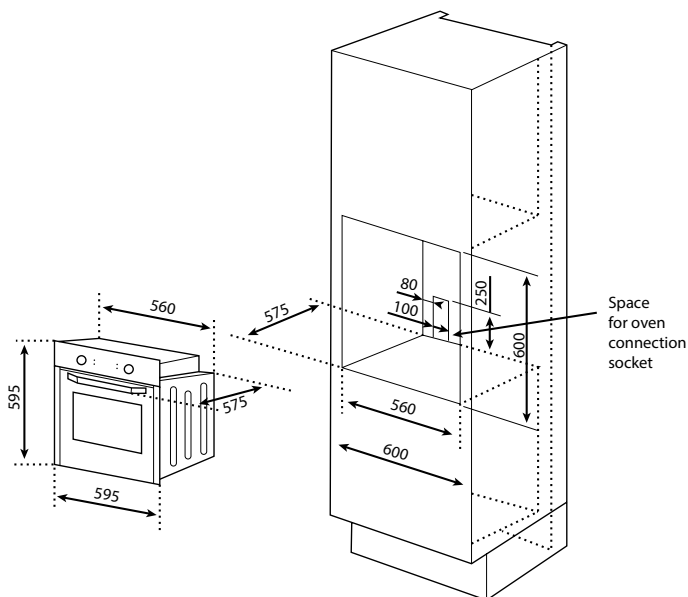
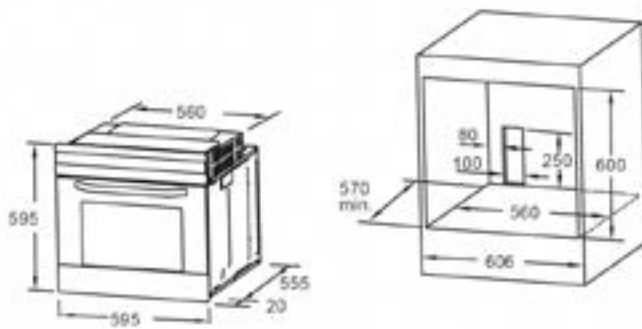


Statesman operate a policy of continual improvement and development. We therefore reserve the right to change/alter the specification and appearance without prior notice.

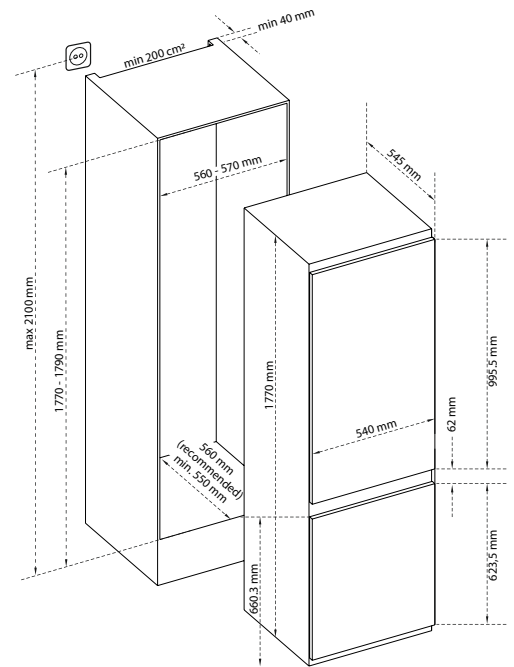
BU160LF4E / BU160FZ4E
Under Counter Refrigeration Units



BSF60SS/WH & BSM60SS/WH/BL
Built-In Oven

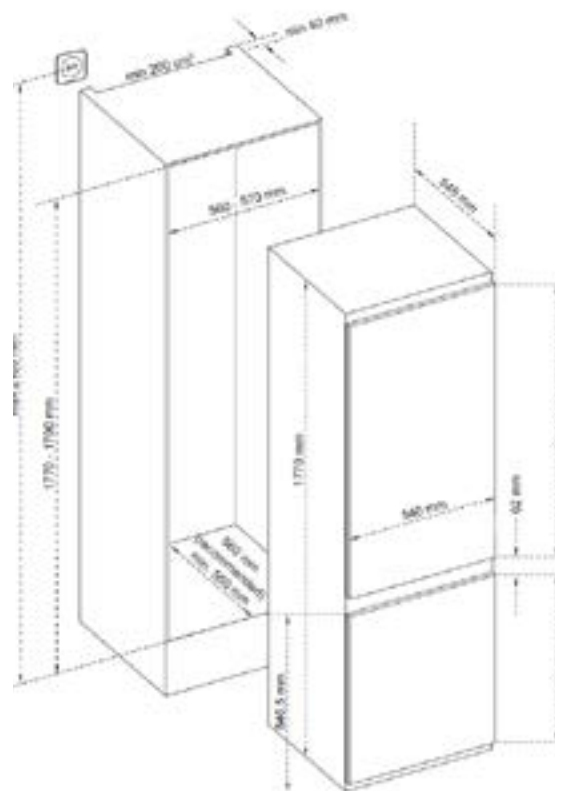


BIFF17030FF
55cm 70/30 Integrated Fridge Freezer



BIFF15050FF
55cm 50/50 Integrated Fridge Freezer

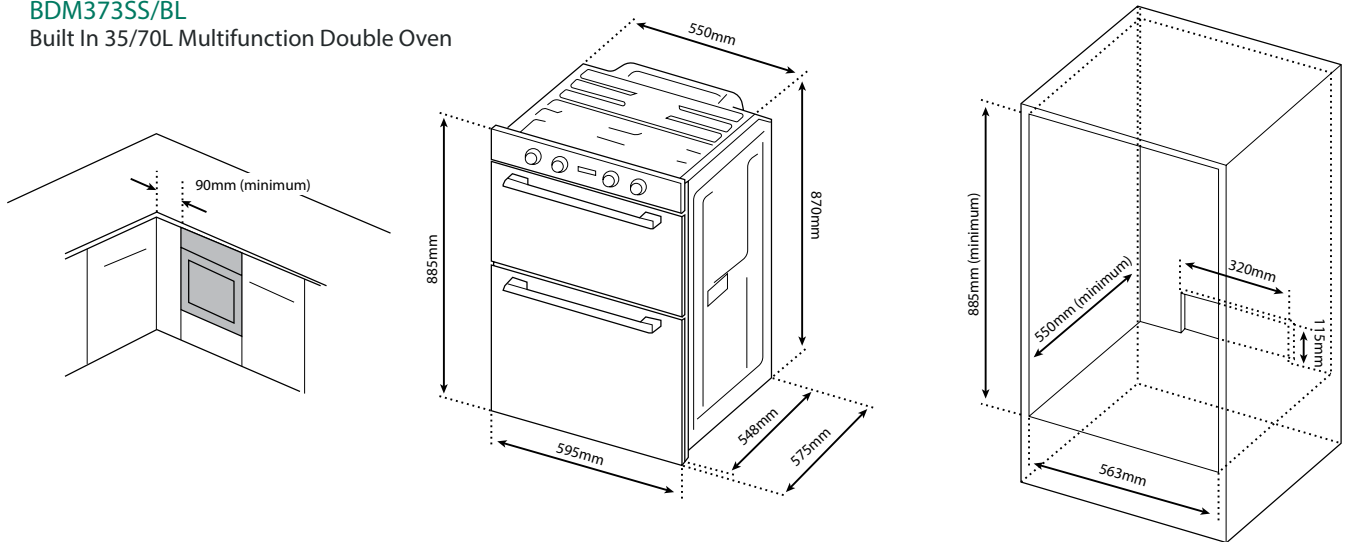
A (mm)	1770	D (mm)	817
B (mm)	840.5	E (mm)	1770 - 1790
C (mm)	802	F (mm)	62



All measurements are in mm unless otherwise stated

BDM373SS/BL

Built In 35/70L Multifunction Double Oven



CHZ460D

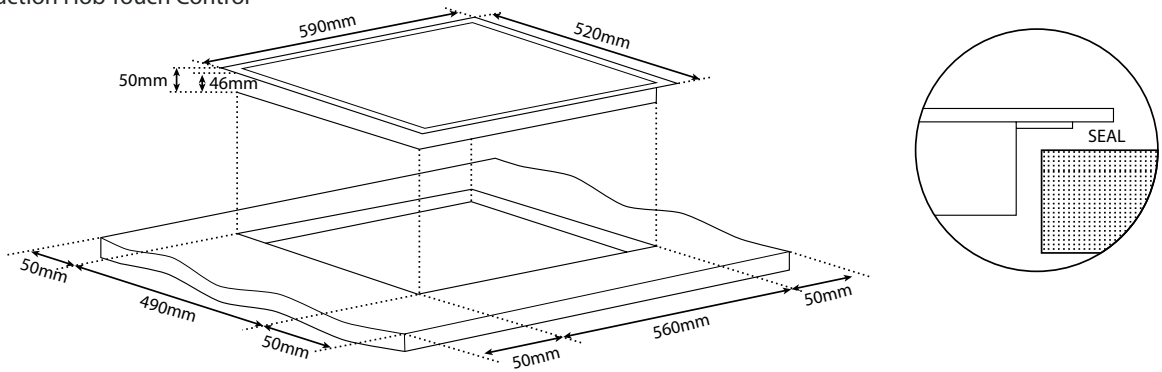
60cm 4 Zone Ceramic Hob with Dial Control

CHZ460T

60cm 4 Zone Ceramic Hob with Touch Control

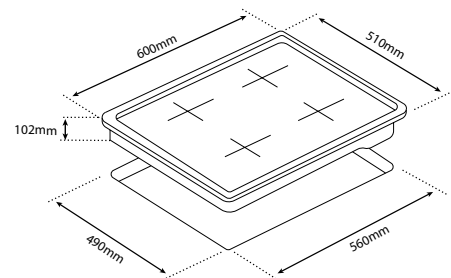
IHZ460

60cm 4 Zone Induction Hob Touch Control



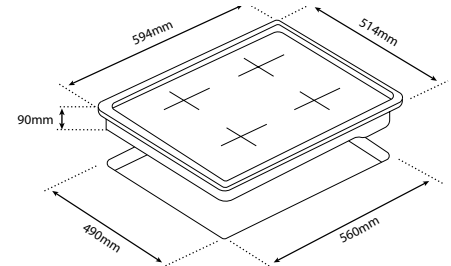
GH160GB/WH

60cm 4 Zone Gas Glass Hob



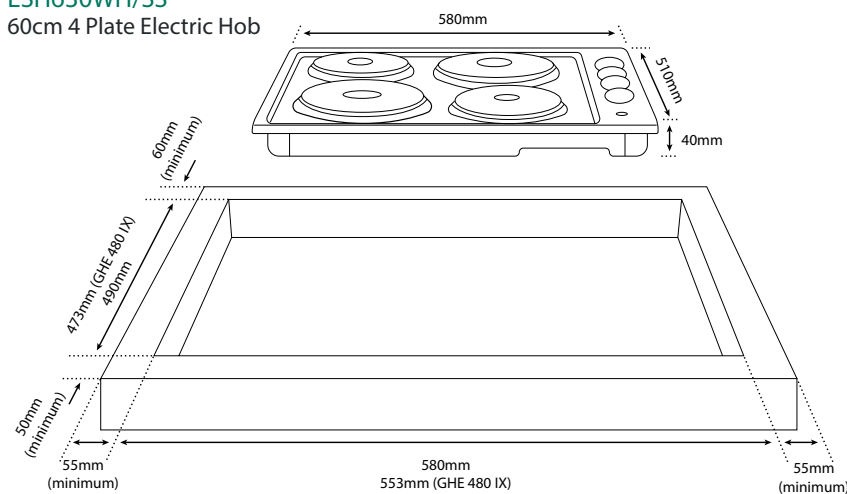
GH161SS

60cm 4 Zone Gas Hob



ESH630WH/SS

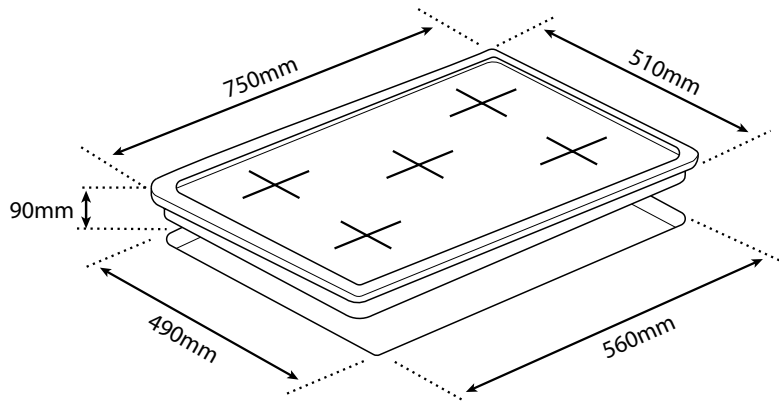
60cm 4 Plate Electric Hob



All measurements are in mm unless otherwise stated

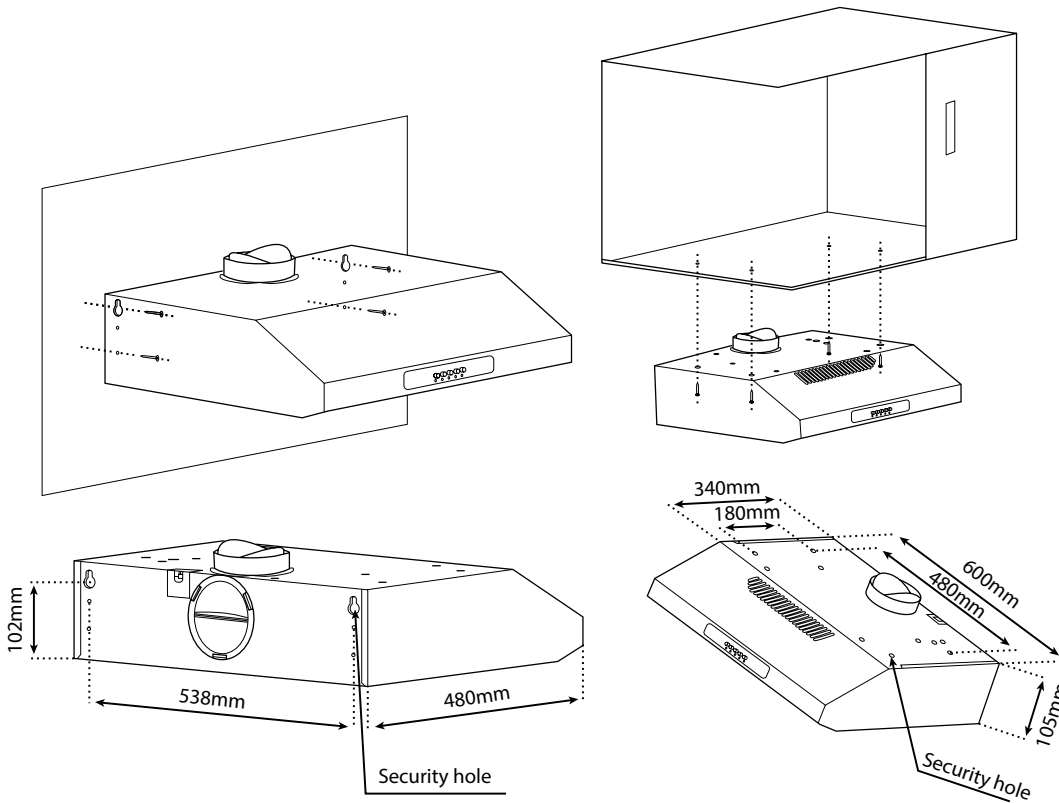
GH175SS/GB

75cm 5 Zone Gas Hob



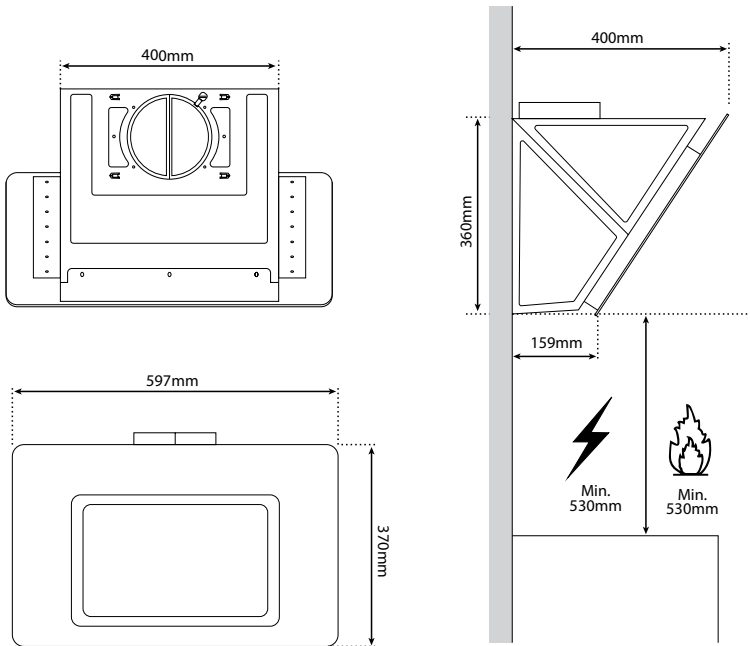
VH60WH/SS

60cm Visor Cooker Hood

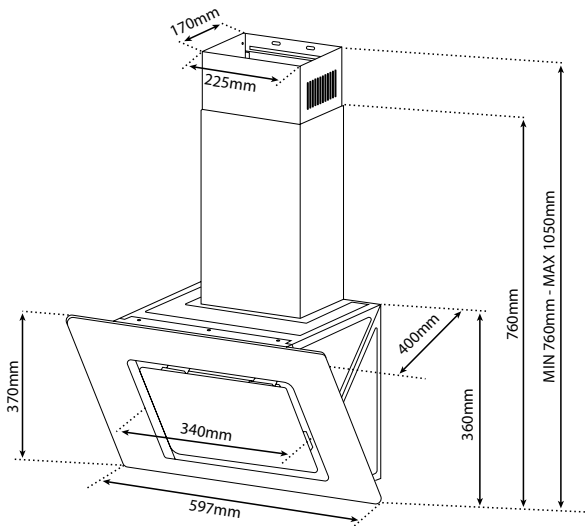
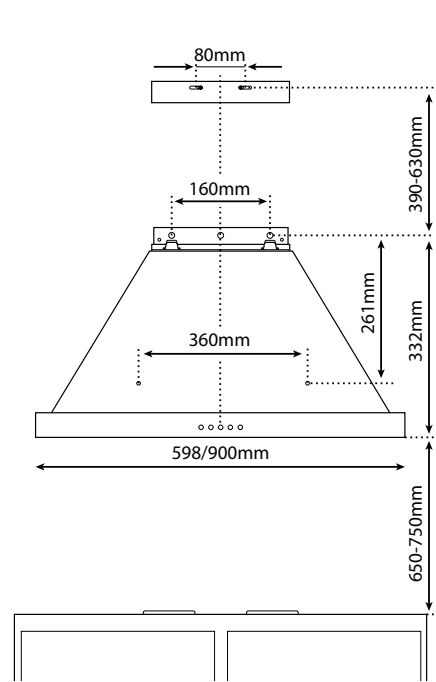


All measurements are in mm unless otherwise stated

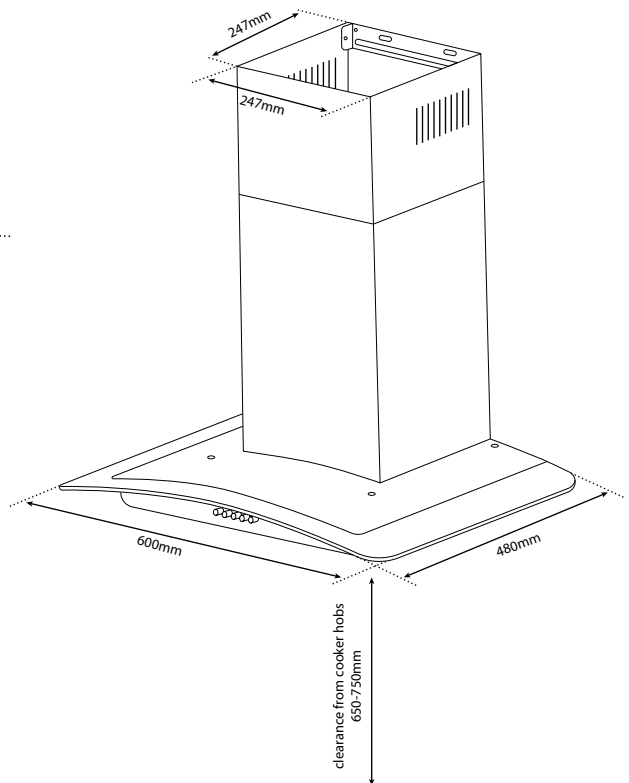
ACH60BL
60cm Angled Glass Chimney Cooker Hood



CHM60SS
60cm Chimney Cooker Hood



CGH60GS
60cm Curved Glass Chimney Cooker Hood



All measurements are in mm unless otherwise stated

CUSTOMER CARE

Reliable • Trustworthy • Dedicated

We are passionate about the service we deliver to our customers and always aim to exceed customer expectations when they contact us for support.

Our experienced UK-based customer service department is open 5 days a week Monday to Friday to ensure that if you have a query, we are on hand to diagnose, troubleshoot and help in any way we can.

Sales, Customer Service & Spare Parts

01473 277508

Our service department is open 5 days a week Monday to Friday from 8.20am to 4.50pm



Register within 30 days to activate your additional **FREE 12 months warranty**

Thank you for choosing a Statesman appliance. To help protect your product, we want to give you an additional 12 months warranty. If you register your appliance within 30 days of purchase, we will activate your additional 12 months warranty, giving you 24 months peace of mind.

This means that in the event of a fault or breakdown, your appliance will be repaired or replaced, and the best part is it won't cost you a penny.

Benefits of registering your guarantee

1. Access to a nationwide network of Statesman approved engineers
2. Call-out, parts and labour included
3. New for old replacement if your appliance can't be fixed
4. Fast and reliable service.

Register today

You can instantly activate your 24 months guarantee by visiting **www.statesmanwarranty.co.uk**. Once your registration has been processed you will receive confirmation of your guarantee.

Register now: **www.statesmanwarranty.co.uk**
0333 577 7235

Guarantee Conditions

We, **STATESMAN**, undertake that if within 24 months, subject to registration within 30 days of the date of purchase this **STATESMAN** appliance or any part thereof is proved to be defective by reason only of faulty workmanship or material, we will at our discretion repair or replace the same **FREE OF CHARGE** for labour, material or carriage on condition that:

- The appliance has been correctly installed and used only on the electricity or gas supply stated on the rating plate.
- The appliance has been used for domestic purposes only, and in accordance with the manufacturer's operating and maintenance instructions.
- The appliance has not been serviced, maintained, repaired, taken apart or tampered with by any person not authorised by us.
- All service work under this guarantee must be undertaken by an authorised engineer.
- Any appliance or defective part replaced shall become the company's property.
- This guarantee is in addition to your statutory and other legal rights.

Exclusions

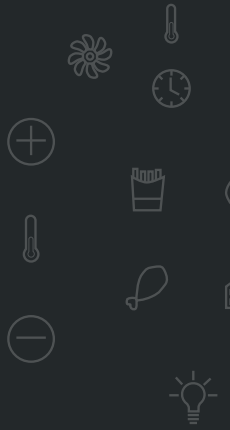
This guarantee does not cover:

- Damage or calls resulting from transportation, improper use or neglect, the replacement of any light bulbs or removable parts or glass or plastic
- Door seals
- Appliances found to be in use within a commercial environment, plus those which are the subject of rental agreements, except where prior authorisation is granted by Statesman
- Products of Statesman manufacture which are not marketed by Statesman
- EU Countries - the standard guarantee is applicable but is subject to the owner's responsibility and cost, to ensure the appliance meets the standards set by the country to which the product is taken

Your Guarantee is administered by UK Warranty Ltd, Picktree Court, Picktree Lane, Chester-le-Street, Co Durham, DH3 3SY (Registered in England no 07728040).







STA