


Celebrating  
**15** Years  
2007 - 2022

**STATESMAN**  
kitchen appliances

Laundry • Refrigeration • Cooking • Dishwashing


[www.statesmanappliances.co.uk](http://www.statesmanappliances.co.uk) | 01473 277508



**Established in 2007, Statesman has developed an extensive range of freestanding and integrated kitchen appliances that combine user-friendly functionality with reliable build quality.**

Offering consumers a selection of products across refrigeration, laundry, cooking and dishwashing, we ensure that the best technology is incorporated across the range to provide customers with white goods that are perfectly suited for the needs of modern living.

Our ethos is to provide the independent retailer with a brand they can rely on. Over 25,000 spare parts are stored in-house available for same-day dispatch, and our entire product range is supported by a full 2-year parts and labour guarantee for domestic use once registered\* and a 1-year commercial warranty†. With Statesman, retailers can be confident that the needs of their customers will always be met.



**2**Year  
Parts & Labour  
Guarantee\*

\*First year included, users must register within 30 days of purchase to receive second year of guarantee

† Domestic use in a commercial environment

# Contents

<b>Laundry</b>	<b>04 - 08</b>
Washing Machines	05 - 06
Washer Dryers	07
Tumble Dryers	08
<b>Refrigeration</b>	<b>09 - 19</b>
Freestanding	10 - 17
Integrated	18 - 19
<b>Cooking</b>	<b>20 - 33</b>
Freestanding Cookers	21 - 25
Built-In Ovens	26 - 27
Hobs	28 - 31
Cooker Hoods	32 - 33
<b>Dishwashing</b>	<b>34 - 36</b>
Freestanding	35
Integrated	36
<b>Technical</b>	<b>37 - 49</b>
Specifications	38 - 45
Installation Diagrams	46 - 49
<b>Customer Care</b>	<b>50 - 51</b>



# LAUNDRY

Washing Machines • Washer Dryers • Tumble Dryers





## 8kg Integrated Washing Machine 1400rpm

○ White BIW0814

- 8kg Load Capacity
- 1400rpm Spin Speed
- LED Display
- 16 Wash Programs
- Eco Wash
- 15 Minute Quick Wash
- Pre Wash
- Delay Timer 3-24 Hours
- Child Lock
- Sound Off

**Energy Rating: B**

**Dimensions (mm):**

**H:825 x W:595 x D:540**

**Spin Noise Class: B**

**Spin Dry Efficiency: B**

For installation diagram, please see page 46



## 6kg Washing Machine 1000rpm

○ White FWM0610W

- 6kg Capacity
- 15 Minute Rapid Wash
- 15 Wash Programs
- Eco Wash
- Pre Wash
- Child Lock
- Delay Timer
- Half Load Detection

**Energy Rating: D**

**Dimensions (mm):**

**H:845 x W:597 x D:497**

**Spin Noise Class: B**

**Spin Efficiency: C**



## 7kg Washing Machine 1400rpm

○ White FWM0714E

- 7kg Capacity
- 15 Wash Programs
- Eco Wash
- 15 Minute Rapid Wash
- Half Load Detection
- Delay Timer up to 23 Hours
- Child Lock
- LED Display
- Water Level Control

**Energy Rating: D**

**Dimensions (mm):**

**H:845 x W:597 x D:527**

**Spin Noise Class: C**

**Spin Efficiency: B**



## 9kg Washing Machine 1400rpm

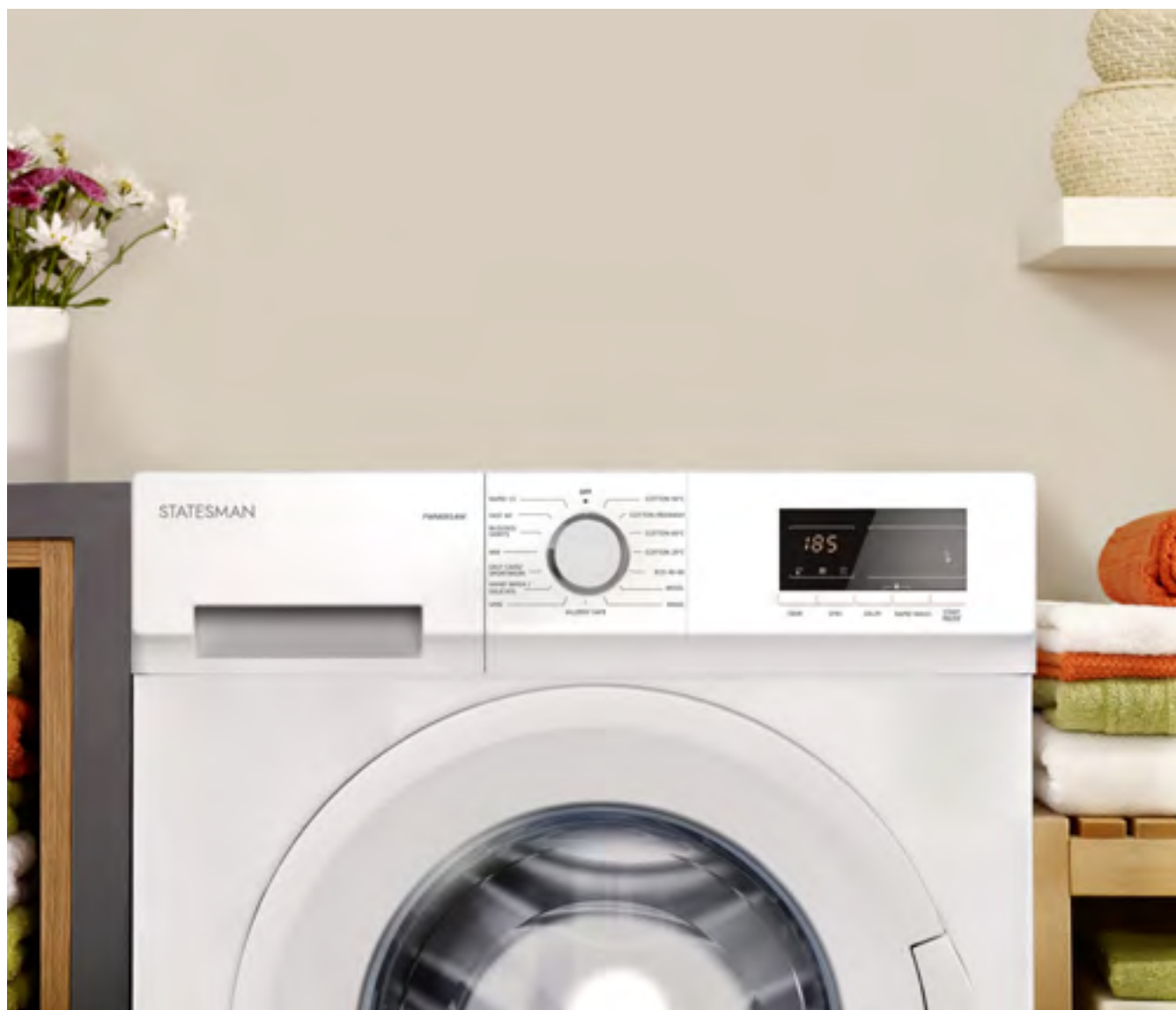
○ White FWM0914W

- 9kg Capacity
- 15 Minute Rapid Wash
- 5 Wash Programs
- Eco & Anti-Allergy Wash
- Child Lock
- Pre Wash
- Delay Timer Up to 23 Hours
- Half Load Detection

**Energy Rating: C**

**Dimensions (mm):**  
H:845 x W:597 x D:582

**Spin Noise Class: B**  
**Spin Efficiency: C**





## 8kg/6kg Washer Dryer 1400rpm

○ White XD0806WE

- 8kg Wash Capacity
- 6kg Dry Capacity
- My Cycle
- Baby Care
- 1400rpm Spin Speed
- 16 Wash Programs
- 4 Dry Programs
- 15 Minute Quick Wash
- Pre Wash
- LED Display
- 24 Delay Timer

**Energy Rating (Wash Only): B**  
**Energy Rating (Wash and Dry): E**

**Dimensions (mm):**  
**H:850 x W:595 x D:470**

**Spin Noise Class: B**  
**Spin Efficiency: B**



## 8kg/6kg Integrated Washer Dryer 1400rpm

○ White BXD0806

- 8kg Wash Capacity
- 6kg Dry Capacity
- Add Garment Function
- My Cycle
- Baby Care
- 1400rpm Spin Speed
- 16 Wash Programs
- 4 Dry Programs
- 15 Minute Quick Wash
- Pre Wash
- LED Display
- 24 Delay Timer

**Energy Rating (Wash Only): B**  
**Energy Rating (Wash and Dry): E**

**Dimensions (mm):**  
**H:825 x W:595 x D:540**

For installation diagram, please see page 46





## 7kg Vented Tumble Dryer

○ White TVM07W

- 7kg Drying Capacity
- Drying Sensor
- 4 Drying Programs
- Child Lock
- LED Display
- Safety Thermostat Heater
- 3 Dryness Levels
- Safety Reset
- Anti-Crease Function

**Energy Rating: C**

**Dimensions (mm):**  
H:840 x W:595 x D:550



## 8kg Condenser Tumble Dryer

○ White CTD08W

- 8kg Load Capacity
- LED Display
- Delay Timer
- 16 Drying Programs
- Anti-Crease & Delicate Functions
- Iron & Cupboard Dry Programs
- Baby Care & Mixed Program
- Tank Full Indicator
- Clean Filter Indicator
- Child Lock

**Energy Rating: B**

**Dimensions (mm):**  
H:845 x W:596 x D:563



## 8kg Heat Pump Tumble Dryer

○ White THP08W

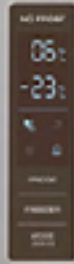
- Heat Pump Technology
- 8kg Load Capacity
- Heat Function: Low/High
- 16 Sensor Dry Programs
- LED Display
- Reduced Ironing Function
- Time Remaining Indicator
- 24 Hour Delay Timer
- Tank Full Indicator
- Clean Filter Indicator
- Child Lock
- Reverse Action Drum

**Energy Rating: A++**

**Dimensions (mm):**  
H:845 x W:595 x D:650



STATION N



# REFRIGERATION

Freestanding • Integrated



### 55cm Under Counter Fridge with 4\* Ice Box

○ White R155W ● Black R155B ● Silver R155S

- 4 Star Freezer Compartment
- 1 Adjustable Glass Shelf
- Large Salad Drawer
- Internal Light
- Reversible Door
- Metal Back

**Dimensions (mm):**

**H:845 x W:553 x D:574**

**Net Fridge Capacity: 97 Litres**  
**Net Freezer Capacity: 16 Litres**

**Energy Rating: F**



### 55cm Under Counter Larder Fridge

○ White L255W ● Black L255B ● Silver L255S

- 2 Adjustable Glass Shelves
- Large Salad Drawer
- Internal Light
- Reversible Door
- Adjustable Feet
- Metal Back

**Dimensions (mm):**

**H:845 x W:553 x D:574**

**Net Fridge Capacity: 131 Litres**

**Energy Rating: F**



### 55cm Under Counter Freezer

○ White U355W ● Black U355B ● Silver U355S

- 4 Star Freezer
- 3 Large Storage Drawers
- Reversible Door
- Adjustable Feet
- Metal Back

**Dimensions (mm):**

**H:845 x W:553 x D:574**

**Net Freezer Capacity: 83 Litres**

**Energy Rating: F**





## 142cm High, 55cm Wide Tall Larder Fridge

○ White TL235LWE

- 3 Adjustable Glass Shelves
- Reversible Door
- Large Salad Drawer
- Internal Light
- Adjustable Feet
- Full Metal Back



**Energy Rating: F**

**Dimensions (mm):**

**H:1420 x W:550 x D:550**

**Net Fridge Capacity: 230 Litres**



## 170cm High, 60cm Wide Tall Larder Fridge

○ White TL335LWE

- 5 Adjustable Glass Shelves
- Reversible Door
- Large Salad Drawer
- Internal Light
- Adjustable Feet
- Full Metal Back



**Energy Rating: F**

**Dimensions (mm):**

**H:1700 x W:600 x D:600**

**Net Fridge Capacity: 335 Litres**



## 142cm High, 55cm Wide Tall Freezer

○ White TF160LWE

- 2 Shelves with Flap Closures (Top/Bottom)
- 3 Clear Freezer Drawers
- Reversible Door
- Adjustable Feet
- Full Metal Back



**Energy Rating: F**

**Dimensions (mm):**

**H:1420 x W:550 x D:550**

**Net Freezer Capacity: 160 Litres**



## 170cm High, 60cm Wide Tall Freezer

○ White TF170LWE

- 6 Clear Freezer Drawers
- 1 Maxi Freezer Box
- Reversible Door
- Adjustable Feet
- 4 Star Freezer
- Full Metal Back



**Energy Rating: F**

**Dimensions (mm):**

**H:1700 x W:600 x D:600**

**Net Freezer Capacity: 242 Litres**



## 123cm High, 50cm Wide 80/20 Fridge Freezer

○ White F1230APWE

- 2 Adjustable Glass Shelves
- Large Salad Drawer
- Egg Tray
- In Door Bottle Storage
- Internal Fridge and Freezer Lights
- 1 Clear Freezer Shelf

- Reversible Doors
- Adjustable Feet
- Full Metal Back



**Energy Rating: F**

**Dimensions (mm):**

**H:1230 x W:500 x D:580**

**Total Capacity: 151 Litres**

**Net Fridge Capacity: 112 Litres**

**Net Freezer Capacity: 39 Litres**



## 145cm High, 50cm Wide 50/50 Fridge Freezer Low Frost

○ White LF1450W

- Low Frost Technology
- LED Lighting
- 3 Adjustable Glass Shelves
- Salad Drawer
- 3 Clear Freezer Drawers
- Ice Tray

- Transparent Door Shelves
- Reversible Doors
- Adjustable feet
- Full Metal Back



**Energy Rating: F**

**Dimensions (mm):**

**H:1450 x W:497 x D:560**

**Net Total Capacity: 173 Litres**

**Net Fridge Capacity: 113 Litres**

**Net Freezer Capacity: 61 Litres**





## 136cm High, 55cm Wide

### 50/50 Fridge Freezer Low Frost

○ **White** LF1355W

- Low Frost Technology
- LED Lighting
- 3 Adjustable Glass Shelves
- Salad Drawer
- 2 Clear Freezer Drawers
- Ice Tray
- Transparent Door Shelves
- Reversible Doors
- Adjustable feet
- Full Metal Back



**Energy Rating: F**

**Dimensions (mm):**

**H:1360 x W:540 x D:595**

**Net Total Capacity: 202 Litres**

**Net Fridge Capacity: 134 Litres**

**Net Freezer Capacity: 69 Litres**



## 166cm High, 54cm Wide

### 50/50 Fridge Freezer Low Frost

○ **White** F1654APWE ● **Silver** F1654APSE

- Low Frost Technology
- 2 Adjustable Glass Shelves
- Large Salad Drawer
- Internal Light
- 4 Clear Freezer Drawers
- Transparent Door Shelves
- Reversible Doors
- Adjustable Feet
- Full Metal Back



**Energy Rating: F**

**Dimensions (mm):**

**H:1660 x W:540 x D:595**

**Net Total Capacity:**

**Net Fridge Capacity: 142 Litres**

**Net Freezer Capacity: 109 Litres**



## 152cm High, 55cm Wide 50/50 Fridge Freezer Frost Free

○ **White** FF1555W

- Frost Free Technology
- LED Lighting
- 3 Adjustable Glass Shelves
- Salad Drawer
- 3 Clear Freezer Drawers
- Ice Tray
- Transparent Door Shelves
- Reversible Doors
- Adjustable feet
- Full Metal Back



**Energy Rating: F**

**Dimensions (mm):**

**H:1520 x W:540 x D:595**

**Net Total Capacity: 220 Litres**

**Net Fridge Capacity: 146 Litres**

**Net Freezer Capacity: 75 Litres**



## 183cm High, 55cm Wide 50/50 Fridge Freezer Frost Free

○ **White** FF1855W

- Frost Free Technology
- LED Lighting
- 4 Adjustable Glass Shelves
- Salad Drawer
- 4 Clear Freezer Drawers
- Ice Tray
- Transparent Door Shelves
- Reversible Doors
- Adjustable feet
- Full Metal Back



**Energy Rating: E**

**Dimensions (mm):**

**H:1830 x W:540 x D:610**

**Net Total Capacity: 248 Litres**

**Net Fridge Capacity: 152 Litres**

**Net Freezer Capacity: 96 Litres**



## 178cm High, 55cm Wide 50/50 Fridge Freezer with Water Dispenser Frost Free

● **Inox** FF1755X

- Frost Free Technology
- Water Dispenser
- Inox Finish
- 2 Adjustable Safety Glass Shelves
- Clear Salad Crisper with Glass Cover
- Internal Light
- 4 Clear, Robust Freezer Drawers
- Reversible Doors
- Adjustable Feet
- Full Metal Back

**Energy Rating: F**

**Dimensions (mm):**

**H:1775 x W:545 x D:580**

**Net Fridge Capacity: 161 Litres**

**Net Freezer Capacity: 71 Litres**



## 186cm High, 60cm Wide 60/40 Fridge Freezer Total No Frost

○ **White** TNF1860WE ● **Inox** TNF1860XE

- Total No Frost
- LED Door Display
- Advanced Sensor Technology
- 3 Control Modes: Eco, Holiday, Super Freeze
- Door Alarm
- 3 Glass Shelves
- 1 Crystal Salad Crisper Drawer with Glass Cover
- 1 Fresh Converter Drawer
- 3 Clear Freezer Drawers
- Internal LED Light
- Reversible Doors
- Adjustable Feet
- Full Metal Back

**Energy Rating: F**

**Dimensions (mm):**

**H:1840 x W:600 x D:665**

**Net Fridge Capacity: 219 Litres**

**Net Freezer Capacity: 104 Litres**





## 177cm High, 90cm Wide American Side-By-Side Fridge Freezer Total No Frost

● **Inox** SBS177X

- Total No Frost
- 4 Star Freezer Rating
- Door Alarm
- 4 Fridge Shelves
- 1 Crystal Salad Crisper Drawer with Glass Cover
- 4 Freezer Shelves
- 1 Clear Freezer Drawers
- Internal LED Light
- Reversible Doors
- Adjustable Feet
- Full Metal Back

**Energy Rating: F**

**Dimensions (mm):**

**H:1770 x W:905 x D:670**

**Net Total Capacity: 347 Litres**

**Net Fridge Capacity: 347 Litres**

**Net Freezer Capacity: 185 Litres**



## 99 Litre Chest Freezer

○ White CHF100



- Front Manual Control
- Front Water Disposal Device
- Power Indicator Function
- Super Freezing Function
- 1 x Ice Scraper
- 1 x Wire Basket
- Compressor Switch Off Function
- Freezing Capacity (Kg/24h): 4.5
- Suitable for Outbuildings
- Refrigerant: R600a

**Energy Rating: F**

**Dimensions (mm):**

**H:850 x W:545 x D:495**

**Net Freezer Capacity: 99 Litres**



## 142 Litre Chest Freezer

○ White CHF150



- Front Manual Control
- Front Water Disposal Device
- Power Indicator Function
- Super Freezing Function
- 1 x Ice Scraper
- 1 x Wire Basket
- Compressor Switch Off Function
- Freezing Capacity (Kg/24h): 6.5
- Suitable for Outbuildings
- Refrigerant: R600a

**Energy Rating: F**

**Dimensions (mm):**

**H:850 x W:632 x D:550**

**Net Freezer Capacity: 142 Litres**



## 198 Litre Chest Freezer

○ White CHF198



- Front Manual Control
- Front Water Disposal Device
- Power Indicator Function
- Super Freezing Function
- 1 x Ice Scraper
- 1 x Wire Basket
- Compressor Switch Off Function
- Freezing Capacity (Kg/24h): 9
- Suitable for Outbuildings
- Refrigerant: R600a

**Energy Rating: F**

**Dimensions (mm):**

**H:850 x W:816 x D:550**

**Net Freezer Capacity: 198 Litres**







## 177cm High, 55cm Wide 50/50 Integrated Fridge Freezer Frost Free

○ White BIFF5050FF

- Frost Free Technology
- LED Lighting
- 4 Adjustable Glass Shelves
- Salad Drawer
- 4 Clear Freezer Drawers
- Ice Tray
- Transparent Door Shelves
- Reversible Doors
- Adjustable feet
- Full Metal Back



**Energy Rating: F**

**Dimensions (mm):**

**H:1770 x W:540 x D:545**

**Net Total Capacity: 229 Litres**

**Net Fridge Capacity: 145 Litres**

**Net Freezer Capacity: 85 Litres**

For installation diagram, please see page 47





## 177cm High, 55cm Wide 70/30 Integrated Fridge Freezer Frost Free

○ White BIFF7030FF

- Frost Free Technology
- LED Lighting
- 4 Adjustable Glass Shelves
- Salad Drawer
- 3 Clear Freezer Drawers
- Ice Tray
- Transparent Door Shelves
- Reversible Doors
- Adjustable feet
- Full Metal Back



**Energy Rating: F**

**Dimensions (mm):**

**H:1770 x W:540 x D:545**

**Net Total Capacity: 242 Litres**

**Net Fridge Capacity: 180 Litres**

**Net Freezer Capacity: 63 Litres**

For installation diagram, please see page 47



## 60cm Integrated Under Counter Larder Fridge

○ White BU60LF4E

- 2 Adjustable Glass Shelves
- Recessed Salad Crisper
- Internal Light
- Reversible Door
- Adjustable Feet

**Energy Rating: F**

**Dimensions (mm):**

**H:818 x W:595 x D:548**

**Net Fridge Capacity: 134 Litres**

For installation diagram, please see page 47



## 60cm Integrated Under Counter Freezer

○ White BU60FZ4E

- 4 Star Freezer
- 3 Large Storage Drawers
- Reversible Door
- Adjustable Feet

**Energy Rating: F**

**Dimensions (mm):**

**H:818 x W:598 x D:548**

**Net Freezer Capacity: 96 Litres**

For installation diagram, please see page 47

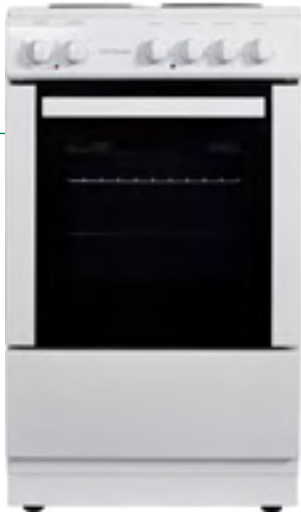


# COOKING

Freestanding • Built-In • Hobs • Hoods

STATESMAN





## 50cm Single Cavity Electric Cooker

○ White DELTA50W

- Conventional Oven
- Integrated Grill
- Double Glazed Door
- 2 Oven Shelves and Deep Oven Tray with Chrome Grid
- Grill Pan, Rack and Handle Set
- 4 Solid Hotplates (1 Rapid Hotplate)
- Closed Door Grilling
- Removable Door
- Usable Storage Compartment
- Adjustable Height

**Energy Rating: A**

**Dimensions (mm):**

**H:900 x W:500 x D:600**

**Net Oven Capacity: 55 Litres**



## 50cm Twin Cavity Electric Cooker

○ White FUSION50W

- Conventional Main Oven
- Separate Grill
- Double Glazed Doors
- 2 Oven Shelves and Deep Oven Tray with Chrome Grid
- Grill Pan, Rack and Handle Set
- 4 Solid Hotplates (1 Rapid Hotplate)
- Adjustable Height

**Energy Rating: A**

**Dimensions (mm):**

**H:850 x W:500 x D:600**

**Net Oven Capacity: 55 Litres**

**Net Grill Capacity: 31 Litres**



## 60cm Single Cavity Electric Cooker

○ White NAPIER60EW

- Conventional Oven
- Integrated Grill
- Double Glazed Door
- 1 Oven Shelf and 1 Tray
- Grill Pan, Rack and Handle Set
- 4 Solid Hotplates
- Closed Door Grilling
- Removable Door
- Usable Storage Compartment
- Adjustable Height
- Pre Fitted Cable

**Energy Rating: A**

**Dimensions (mm):**

**H:900 x W:600 x D:600**

**Net Oven Capacity: 72 Litres**



## 50cm Single Cavity Gas Cooker

○ White STUDIO2

- Conventional Gas Oven
- Integrated Grill
- Double Glazed Door
- 1 Oven Shelf and 1 Tray
- Grill Pan, Rack and Handle Set
- Ignition Button
- 4 Gas Burners
- Includes LPG Conversion Kit
- Flame Failure Device
- Enamel Pan Supports
- Easy Clean

**Energy Rating: A**

**Dimensions (mm):**

**H:900 x W:500 x D:600**

**Net Oven Capacity: 51 Litres**



## 50cm Enamel Lid Single Cavity Gas Cooker

○ White LEGACY50GSLF

- Conventional Gas Oven
- Integrated Grill
- Enamel Lid
- Double Glazed Door
- 1 Oven Shelf and 2 Trays
- Grill Pan, Rack and Handle Set
- Ignition Button
- Battery Operated Ignition
- 4 Gas Burners
- Includes LPG Conversion Kit
- Flame Failure Device
- Usable Storage Compartment
- Enamel Pan Supports
- Easy Clean

**Energy Rating: A**

**Dimensions (mm):**

**H:900 x W:500 x D:500**

**Net Oven Capacity: 49 Litres**





## 60cm Single Cavity Gas Cooker

○ White MAXI60GSF

- Conventional Gas Oven
- Integrated Grill
- Double Glazed Door
- 1 Oven Shelf and 1 Tray
- Grill Pan, Rack and Handle Set
- 4 Gas Burners
- Removable Door
- Includes LPG Conversion Kit
- Flame Failure Device
- Usable Storage Compartment
- Enamel Pan Supports
- Easy Clean

**Energy Rating: A**

**Dimensions (mm):**

**H:900 x W:600 x D:600**

**Net Oven Capacity: 63 Litres**



## 50cm Double Oven Electric Cooker

○ White EDC50W ● Black EDC50B ● Silver EDC50S

- Double Oven
- Ceramic Hob
- Fan Assisted Main Oven
- Moulded Enamel Oven Walls
- 2 Chrome Shelves
- 1 Deep Tray with Wired Chrome Grid
- Integrated Grill
- Double Glazed Door
- Adjustable Height
- Pre-Fitted Cable
- 2 Oven Lights



**Energy Rating: A**

**Dimensions (mm):**

**H:900 x W:500 x D:600**

**Net Main Oven Capacity: 50 Litres**

**Net Top Oven Capacity: 31 Litres**





## 60cm Double Oven Electric Cooker

○ White EDC60W ● Black EDC60B ● Silver EDC60S

- Double Oven
- Ceramic Hob
- Fan Assisted Main Oven
- Moulded Enamel Oven Walls
- 2 Chrome Shelves
- 1 Deep Tray with Wired Chrome Grid
- Integrated Grill
- Double Glazed Door
- Adjustable Height
- Pre-Fitted Cable
- 2 Oven Lights



**Energy Rating: A**

**Dimensions (mm):**

**H:900 x W:600 x D:600**

**Net Main Oven Capacity: 63 Litres**

**Net Top Oven Capacity: 36 Litres**



## 50cm Glass Lid Twin Cavity Gas Cooker

○ White GTL50W

- Thermostat
- Flame Failure Device
- 1 Deep Tray with Wired Chrome Grid
- 2 Chrome Shelves
- Moulded Enamel Walls
- Glass Lid
- Ignition Button with Cable
- 2 Oven Lights
- Separate Grill
- Double Glazed Door
- 4 Gas Burners
- Includes LPG Conversion Kit
- Enamel Pan Supports

**Energy Rating: A**

**Dimensions (mm):**

**H:900 x W:500 x D:600**

**Net Main Oven Capacity: 53 Litres**

**Net Top Oven Capacity: 29 Litres**



## 60cm Glass Lid Double Oven Gas Cooker

○ White GDL60W

- Thermostat
- Flame Failure Device
- 1 Deep Tray with Wired Chrome Grid
- 2 Chrome Shelves
- Moulded Enamel Walls
- Glass Lid
- Ignition Button with Cable
- 2 Oven Lights
- Separate Grill
- Double Glazed Door
- 4 Gas Burners
- Includes LPG Conversion Kit
- Enamel Pan Supports

**Energy Rating: A**

### Dimensions (mm):

**H:900 x W:600 x D:600**

**Net Main Oven Capacity: 62 Litres**

**Net Top Oven Capacity: 27 Litres**



## 60cm Double Oven Electric Cooker with 24 Hour Timer

● Inox TDC60X

- Total Wattage: 9.6kW
- Oven Operation: Convection
- Maximum Oven Temperature: 250°C
- Fan Assisted Oven
- Primary Housing Material: Inox
- Cavity Housing Material: Enamel
- Catalytic Liner (Main Oven Only)
- Hob Type: 4 Zone Ceramic
- LED Display
- 24 Hour Programmable Timer
- Internal Oven Light
- 1 x Deep Oven Tray without Wired Chrome Grid
- 3 x Oven Wire Shelves
- Removable Door
- Adjustable Height
- Anti-tilt Bracket
- No Pre-Fitted 13a Cable

**Energy Rating: A**

### Dimensions (mm):

**H:900 x W:600 x D:600**

**Net Main Oven Capacity: 63 Litres**

**Net Top Oven Capacity: 36 Litres**

## Built-In Single Fan Oven

● **Stainless Steel** SFO60SS ○ **White** SFO60W ● **Black** SFO60BL



- Fan Operated Cooking
- 4 Cooking Functions
- Defrost Feature
- Timer
- LED Light
- 2 x Oven Shelves
- 1 x Grill Pan And Handle Set
- Easy Clean Enamel Interior
- Removable Door
- Pre-Fitted 13A Cable

**Energy Rating: A**

**Dimensions (mm):**

**H:595 x W:595 x D:575**

**Net Oven Capacity: 65 Litres**



For installation diagrams, please see page 47

## Built-In Single Multifunctional Oven

● **Stainless Steel** SMO60SS ● **Black** SMO60BL



- Multi-Functional Cooking
- 9 Cooking Functions
- Defrost Feature
- Digital Timer
- LED Light
- 2 x Oven Shelves
- 1 x Grill Pan and Handle Set
- Easy Clean Enamel Interior
- Removable Door

**Energy Rating: A**

**Dimensions (mm):**

**H:595 x W:595 x D:575**

**Net Oven Capacity: 65 Litres**



For installation diagrams, please see page 47





### Built In 35/70L Multifunction Double Oven

● **Stainless Steel** BDM373SS ● **Black** BDM373BL

- Top Cavity Capacity: 35L
- Bottom Cavity Capacity: 70L
- Catalytic Oven Liners
- 3 Cooking Functions
- Open and Closed Door Grilling
- LED Display
- Digital Minute Minder
- 2 Oven Shelves



- 1 Deep Pan
- 3 Top Cavity Shelf Positions
- 5 Bottom Cavity Shelf Positions
- Removable Rack Supports
- 2 Layer Flat Glass Door

**Energy Rating: A**

**Dimensions (mm):**  
**H:885 x W:595 x D:575**

---

**Net Oven Capacity:** 110 Litres  
**Net Main Oven Capacity:** 72 Litres  
**Net Top Oven Capacity:** 38 Litres

For installation diagrams, please see page 48





## 60cm 4 Plate Electric Hob

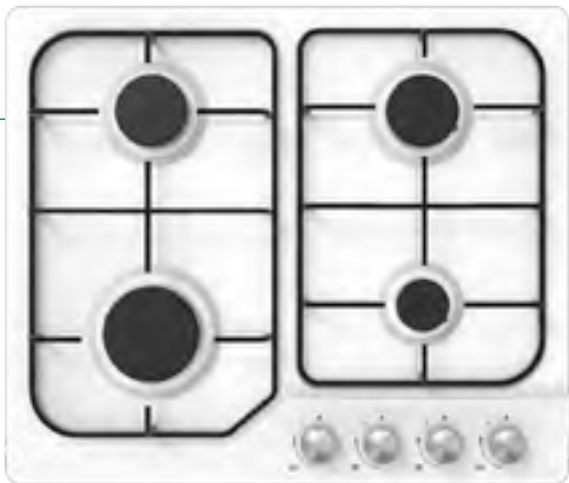
● **Stainless Steel** ESH630SS ○ **White** ESH630WH

- Side Dial Control
- 2 x Large Hotplates
- 2 x Small Hotplates
- Easy clean hob surface

**Dimensions (mm):**  
**H:40 x W:580 x D:510**



For installation diagrams, please see page 48



## 60cm 4 Zone Gas Glass Hob

○ **White** GH60WH

- Front Dial Control
- Automatic Ignition
- 4 Burners: 1 Wok, 2 Semi-Rapid and 1 Simmer
- Includes LPG Conversion Kit
- Durable Cast Iron Pan Supports

**Dimensions (mm):**  
**H:95 x W:590 x D:510**

For installation diagrams, please see page 48



## 60cm 4 Zone Gas Glass Hob

● **Black** GH60GB

- Front Dial Control
- Automatic Ignition
- 4 Burners: 1 Wok, 2 Semi-Rapid and 1 Simmer
- Includes LPG Conversion Kit
- Durable Cast Iron Pan Supports

**Dimensions (mm):**  
**H:102 x W:600 x D:510**

For installation diagrams, please see page 48





## 60cm 4 Zone Gas Hob

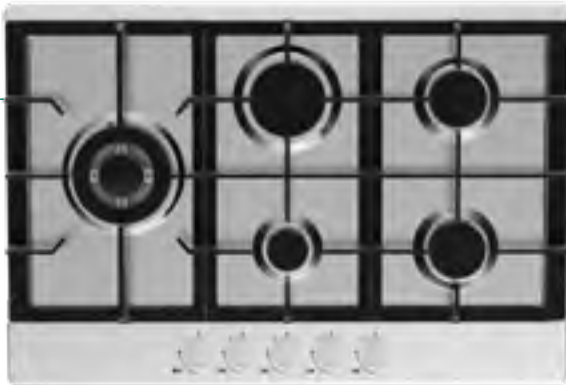
● **Stainless Steel** GH61SS

- Front Dial Control
- Automatic Ignition
- 4 Burners: 1 Wok, 2 Semi-Rapid and 1 Simmer
- Includes LPG Conversion Kit
- Durable Cast Iron Pan Supports

### Dimensions (mm):

**H:90 x W:594 x D:514**

For installation diagrams, please see page 48



## 75cm 5 Zone Gas Hob

● **Stainless Steel** GH75SS

- Front Dial Control
- Automatic Ignition
- 5 Burners: 1 Triple Crown Wok Burner, 1 Rapid, 2 Semi-Rapid and 1 Simmer
- Includes LPG Conversion Kit
- Durable Cast Iron Pan Supports

### Dimensions (mm):

**H:90 x W:760 x D:510**

For installation diagrams, please see page 49



## 75cm 5 Zone Gas Hob

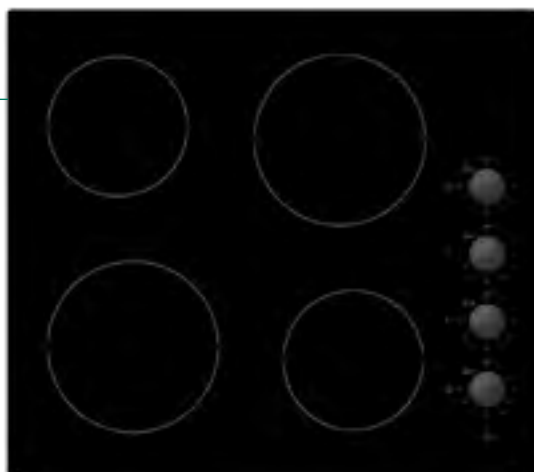
● **Black** GH75GB

- Front Dial Control
- Automatic Ignition
- 5 Burners: 1 Triple Crown Wok Burner, 1 Rapid, 2 Semi-Rapid and 1 Simmer
- Includes LPG Conversion Kit
- Durable Cast Iron Pan Supports

### Dimensions (mm):

**H:90 x W:760 x D:510**

For installation diagrams, please see page 49



## 60cm 4 Zone Ceramic Hob with Dial Control

● **Black** CHZ460D

- 6000W Total Power Output
- Side Dial Control
- Front Left / Rear Right Zones: 1.8kW Power, 200mm Diameter
- Rear Left / Front Right Zones: 1.2kW Power, 135mm Diameter
- Programmable Timer
- Residual Heat Indicators
- 9 Stage Power Settings
- Child Lock
- Easy Clean Black Scott Glass

### Dimensions (mm):

**H:50 x W:590 x D:520**

For installation diagrams, please see page 48



## 60cm 4 Zone Ceramic Hob with Touch Control

● **Black** CHZ460T

- 6400W Total Power Output
- Touch Control
- Dual Zone Function (Front Left Zone Only)
- Front Left Zone: 1.1 / 2.2kw Power, 140 / 230mm Diameter
- Rear Left / Front Right Zones: 1.2kW Power, 135mm Diameter
- Rear Right Zone: 1.8kW Power, 200mm Diameter
- Programmable Timer
- Residual Heat Indicators
- 9 Stage Power Settings
- Child Lock
- Easy Clean Black Scott Glass

### Dimensions (mm):

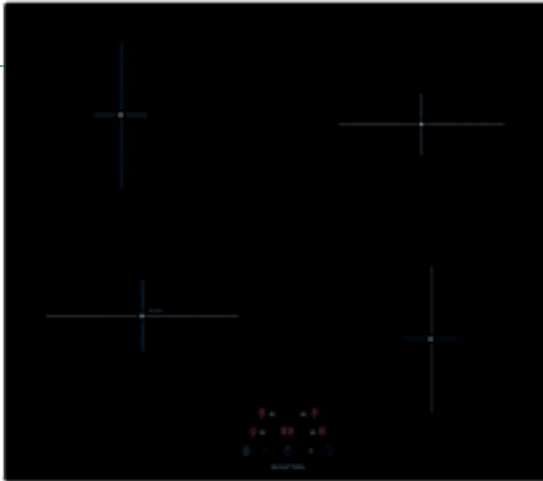
**H:50 x W:590 x D:520**

For installation diagrams, please see page 48



## 60cm 4 Zone Induction Hob Touch Control

### ● Black IHZ460



- 6800W Total Power Output
- Touch Control
- Boost Function (Front Left Zone Only)
- Front Left Zone: 1.8 / 2.2kw Power, 210mm Diameter
- Rear Left / Front Right Zones: 1.4kW Power, 160mm Diameter
- Rear Right Zone: 1.8kW Power, 180mm Diameter
- Programmable Timer
- Residual Heat Indicators
- 9 Stage Power Settings
- Child Lock
- Easy Clean Black Scott Glass

#### Dimensions (mm):

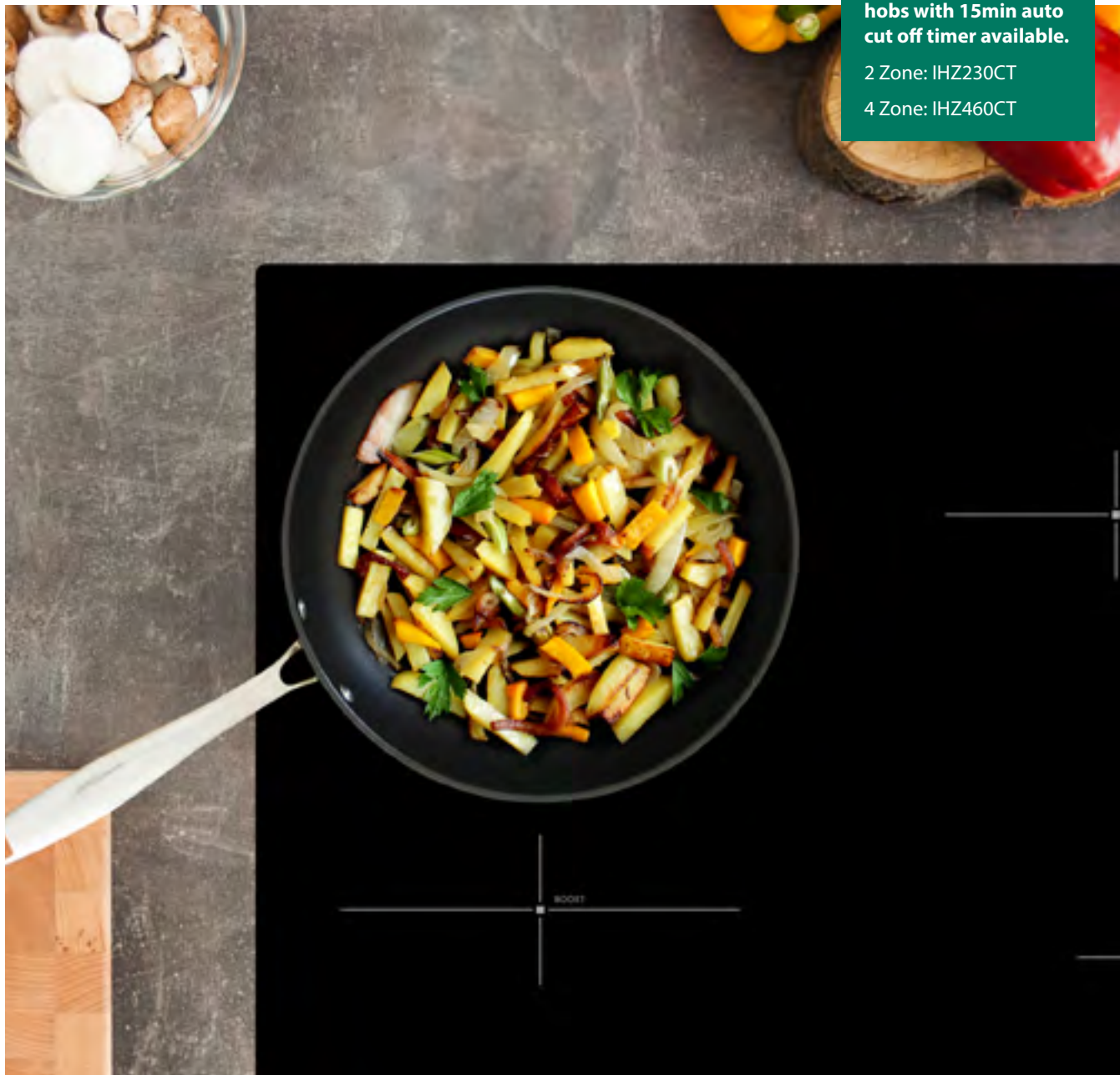
H:58 x W:590 x D:520

For installation diagrams, please see page 48

**2 and 4 zone induction hobs with 15min auto cut off timer available.**

2 Zone: IHZ230CT

4 Zone: IHZ460CT





## 60cm Visor Cooker Hood

○ White VH60WH ● Stainless Steel VH60SS



- 2 Speed Settings
- Slide Control
- Metal and Aluminium Grease Filters
- 1.5W LED Light
- Noise Level: 60 dB(A)
- Extraction Rate: 103.1 m<sup>3</sup>/h

**Energy Rating: C**

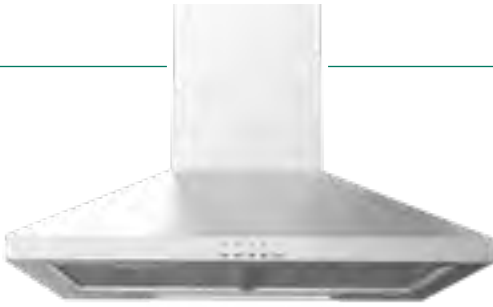
**Dimensions (mm):**

**H:105 x W:600 x D:480**

For installation diagrams, please see page 49

## 60cm Chimney Cooker Hood

● **Stainless Steel** CHM60SS



- 3 Speed Settings
- Push Button Control
- Aluminum Mesh Washable Grease Filter
- 1.5W LED Light
- Noise Level: 65 dB(A)
- Extraction Rate: 188.2m<sup>3</sup>/h

**Energy Rating: B**

**Dimensions (mm):**

**H:569 x W:600 x D:450**

For installation diagrams, please see page 49

## 60cm Curved Glass Chimney Cooker Hood

● **Stainless Steel** CGH60GS



- 3 Speed Settings
- Push Button Control
- Aluminum Mesh Washable Grease Filter
- 1.5W LED Light
- Noise Level: 65 dB(A)
- Extraction Rate: 198.4m<sup>3</sup>/h

**Energy Rating: B**

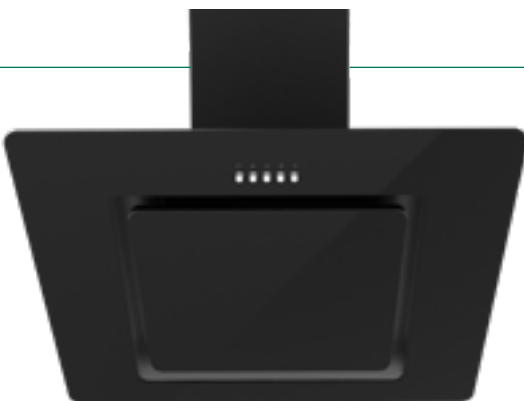
**Dimensions (mm):**

**H:480 x W:600 x D:440**

For installation diagrams, please see page 49

## 60cm Angled Glass Chimney Cooker Hood

● **Black** ACH60BL



- 3 Speed Settings
- Push Button Control
- Aluminum Mesh Washable Grease Filter
- 1.5W LED Light
- Noise Level: 65 dB(A)
- Extraction Rate: 156.2m<sup>3</sup>/h

**Energy Rating: B**

**Dimensions (mm):**

**H:400 x W:597 x D:392**

For installation diagrams, please see page 49





# DISHWASHING

Freestanding · Integrated

STATESMAN



## 45cm Slimline 10 Place Dishwasher

○ **White** FD10PWE

- 10 Place Settings
- 6 Wash Programs: All in One, Intensive, ECO, 90 Min, Glass and Soak
- Half Load Wash Function
- Program Indicator
- Water Softness Adjustment
- Cold Water Fill
- Water Consumption (L/Cycle): 9
- Energy Consumption (kWh/Cycle): 0.76
- Noise Level: 49dB

**Energy Rating: E**

**Dimensions (mm):**

**H:845 x W:448 x D:610**



## 60cm 12 Place Dishwasher

○ **White** FD12PWE

- 12 Place Settings
- 6 Wash Programs: Intensive, All in One, Eco, 90 Mins, Glass, Soak
- Half Load Wash Function
- Program Indicator
- Water Softness Adjustment
- Cold Water Fill
- Water Consumption (L/Cycle): 11
- Energy Consumption (kWh/Cycle): 0.93
- Noise Level: 49dB

**Energy Rating: E**

**Dimensions (mm):**

**H:845 x W:598 x D:610**



## 45cm Slimline 9 Place Integrated Dishwasher

○ **White** BDW4509

- 9 Place Settings
- 5 Wash Programs: Intensive, Normal, Eco, 90min, Rapid
- 3/6/9 Hour Timer
- Adjustable Basket
- Indicator Lights

**Energy Rating: E**

**Dimensions (mm):**

**H:815 x W:448 x D:550**

For installation diagram, please see page 46



## 60cm 14 Place Integrated Dishwasher

○ **White** BDW6014

- 14 Place Settings
- 5 Wash Programs: Intensive, Normal, Eco, 90min, Rapid
- 3/6/9 Hour Timer
- Water Softness Adjustment
- LED Light
- Cutlery Basket

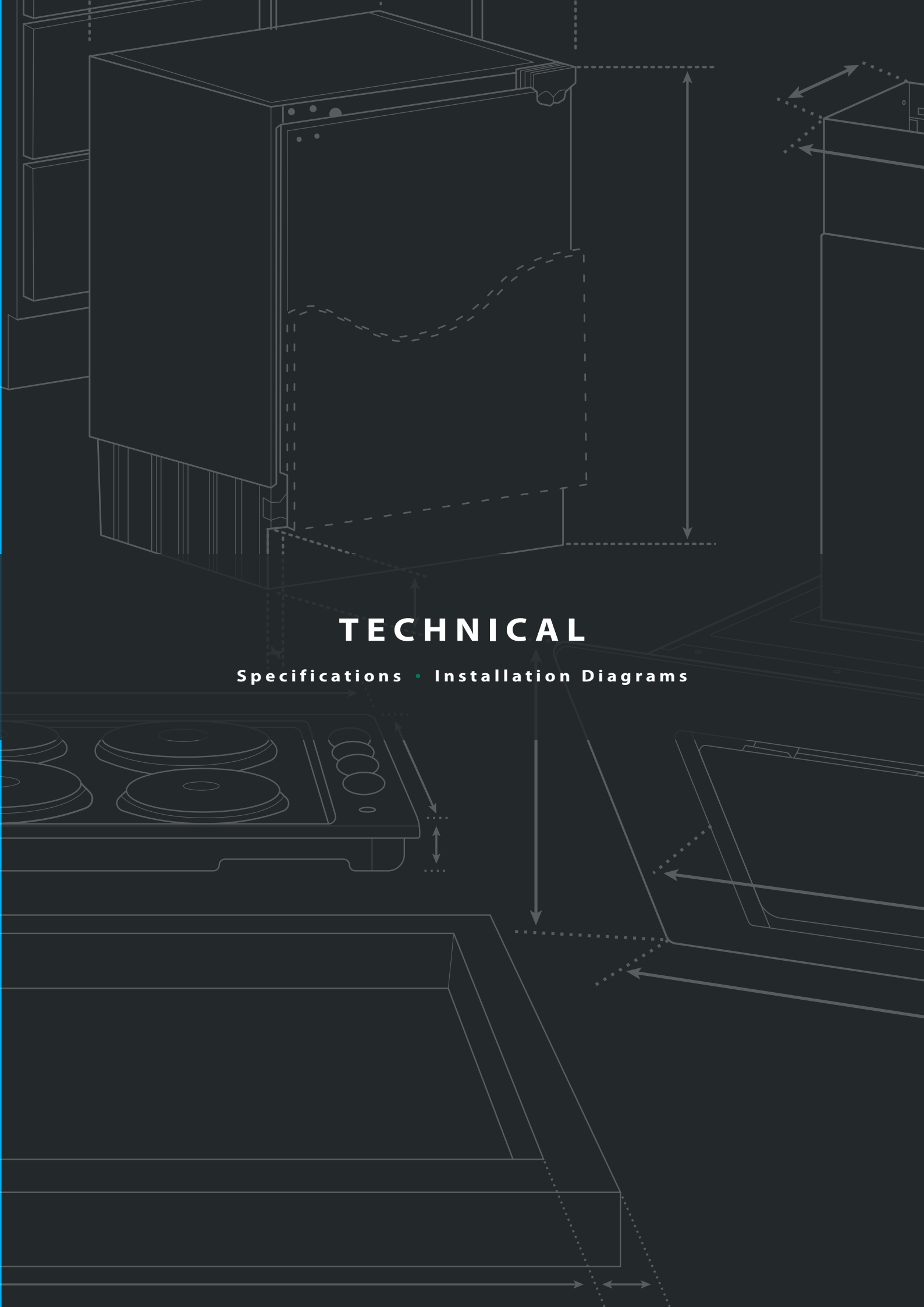
**Energy Rating: E**

**Dimensions (mm):**

**H:815 x W:598 x D:550**

For installation diagram, please see page 46





# TECHNICAL

Specifications • Installation Diagrams

**Washing Machines**
**FWM0610W FWM0714E FWM0914W BIW0814**
**Features**

	FWM0610W	FWM0714E	FWM0914W	BIW0814
Fit type	Freestanding	Freestanding	Freestanding	Integrated
Spin speed (rpm)	1000	1400	1400	1400
Load capacity (kg)	6	7	9	8
Water inlet	Cold	Cold	Cold	Cold
Add garment function	-	-	-	Yes
Variable spin	-	-	-	Yes
Delay timer	Yes	Yes	Yes	Yes
Delay timer length	Up to 23 hours	Up to 23 hours	Up to 23 hours	Up to 24 hours
Load balancing system	-	-	-	Yes
Child lock	Yes	Yes	Yes	Yes
LED panel	-	Yes	Yes	Yes
Control type	Dial/Button	Dial/Button	Dial/Button	Dial/Button
Inverter motor	-	-	No	Yes

**Programs**

Spin	Yes	Yes	Yes	Yes
Rinse	Yes	Yes	Yes	Yes
Prewash	Yes	Yes	Yes	Yes
Quick wash	15min	15min	15min	15min
Number of Wash Programs	15	15	15	16

**Performance**

Energy rating <i>(New 2021 Energy Labelling Regulations)</i>	D	D	C	B
Energy consumption per cycle (kWh)	0.65	0.69	0.66	0.545
Voltage (V)	220-240	220-240	220-240	220-240
Frequency (Hz)	50	50	50	50
Power rating (W)	2100	2100	2200	1950
Weighted water consumption per cycle (lt)	43	45	50	48
Program duration at rated capacity (min)	188	195	209	203
Spin-drying efficiency	C	B	B	B
Spin noise level (dB)	76	79	77	76
Spin noise class	B	C	C	B

**Dimensions and Weight**

Product dimensions (HxWxDmm)	845x597x497	845x597x527	845x597x582	825x595x540
Packed dimensions (HxWxDmm)	881x641x547	881x641x557	891x641x640	875x680x605
Net weight (kg)	55.2	62	71	63
Gross weight (kg)	56.6	64	75	66

**Colour**

Colour	White	White/Silver	White	White
--------	-------	--------------	-------	-------

Statesman operate a policy of continual improvement and development. We therefore reserve the right to change/alter the specification and appearance without prior notice.

Washer Dryers	XD0806WE	BXD0806
<b>Features</b>		
Fit type	Freestanding	Integrated
Spin speed (rpm)	1400	1400
Wash capacity (kg)	8	8
Drying Capacity (kg)	6	6
Water inlet	Cold	Cold
Add garment function	No	No
Variable spin	Yes	Yes
Delay timer	Yes	Yes
Delay timer length	3-24 Hours	3-24 Hours
Load balancing system	Yes	Yes
Child lock	Yes	Yes
LED panel	Yes	Yes
Control type	Dial/Button	Dial/Button
Drying control	Sensor	Sensor
Heat Settings	Cold/20/30/ 40/60/90	Cold/20/30/ 40/60/90
Drying Programs	4	4
<b>Programs</b>		
Quick Wash	Yes	Yes
Extra Rinse	Yes	Yes
Prewash	Yes	No
Easy Iron	Yes	Yes
Extra Wash	Yes	No
Number of Programs	16	16
<b>Performance</b>		
Energy rating (wash only)	B	B
Energy rating (wash and dry)	E	E
Energy consumption per cycle wash only (kWh)	0.544	0.545
Energy consumption per cycle wash and dry (kWh)	3.6	3.6
Voltage (V)	220~240	220~240
Frequency (Hz)	50	50
Power rating (W)	1900	1900
Water consumption per cycle (lt)	Wash and dry: 90 Wash only: 48	Wash and dry: 90 Wash only: 48
Spin noise level (dB)	76	76
Spin noise class	B	B
<b>Dimensions and Weight</b>		
Product dimensions (HxWxDmm)	850x595x475	825x595x540
Packed dimensions (HxWxDmm)	885x650x555	875x680x605
Net weight (kg)	65	64
Gross weight (kg)	68	68
<b>Colour</b>		
Colour	White	White

Tumble Dryers	TVM07W	CTD08W	THP08W
<b>Features</b>			
Drying type	Vented	Condenser	Heat Pump Condenser
Drying control	Electronic	Sensor	Sensor
Drying capacity (kg)	7	8	8
Door opening angle°	165	165	165
Door diameter (inner mm)	375	-	375
Drum material	Steel	Steel	Steel
Venting position	Rear	N/A	N/A
Water collection	N/A	Top	Top
Number of programs	4	15	16
Reduced Ironing	No	No	No
Child lock	Yes	Yes	Yes
<b>Performance</b>			
Energy rating	C	B	A++
Voltage (V)	220~240	220~240	220~240
Power rating (W)	2000	2700	800
Frequency (Hz)	50	50	50
Cycle duration (mins)	130	134	175
Noise level (dB)	69	65	69
<b>Dimensions and Weight</b>			
Product dimensions (HxWxDmm)	840x595x550	845x596x563	845x595x650
Packed dimensions (HxWxDmm)	890x665x575	890x655x616	885x685x695
Net weight (kg)	33	34.8	49
Gross weight (kg)	36	44	52
<b>Colour</b>			
Colour	White	White	White

Statesman operate a policy of continual improvement and development. We therefore reserve the right to change/alter the specification and appearance without prior notice.

Under Counter Refrigeration	R155W/B/S	L255W/B/S	U355W/B/S
<b>Features</b>			
Type	U/C Fridge	U/C Fridge	U/C Freezer
Fit type	Freestanding	Freestanding	Freestanding
Internal light	Yes	Yes	-
Adjustable feet	Yes	Yes	Yes
Reversible doors	Yes	Yes	Yes
Star rating	4	-	4
Auto defrost	No	No	-
Frost free	-	-	-
HFC free	Yes	Yes	Yes
Climate class	ST/N	ST/N	ST/N
<b>Performance</b>			
Energy rating	F	F	F
Energy consumption (kW/24h)	0.48	0.31	0.56
Voltage (V-AC)	220~240	220~240	220~240
Frequency (Hz)	50	50	50
Refrigerant	R600a	R600a	R600a
Gross total volume (lt/cft)	133/3.99	131/4.63	83/2.93
Net refrigerant volume (lt/cft)	97/3.43	131/4.63	-
Net freezing volume (lt/cft)	16/0.57	-	83/2.93
Freezing capacity (kg/24hr)	2	-	4
<b>Dimensions and Weight</b>			
Gross weight	28.8	28.7	30.5
Product dimensions (HxWxDmm)	845x553x574	845x553x574	845x553x574
Packed dimension (HxWxDmm)	865x578x598	865x578x598	865x578x598
<b>Colour</b>			
Colour	White, Black Silver	White, Black Silver	White, Black Silver

Integrated Under Counter	BU60LF4E	BU60FZ4E
<b>Features</b>		
Type	U/C Fridge	U/C Freezer
Fit type	Integrated	Integrated
Internal light	Yes	-
Adjustable feet	Yes	Yes
Reversible doors	Yes	Yes
Star rating	-	4
Auto defrost	No	-
Frost free	-	-
HFC free	Yes	Yes
Climate class	SN	SN
<b>Performance</b>		
Energy rating	F	F
Energy consumption (kW/24h)	0.32	0.60
Voltage (V-AC)	220~240	220~240
Frequency (Hz)	50	50
Refrigerant	R600a	R600a
Gross total volume (lt/cft)	134/4.73	96/3.39
Net refrigerant volume (lt/cft)	134/4.73	-
Net freezing volume (lt/cft)	-	96/3.39
Freezing capacity (kg/24hr)	-	5
<b>Dimensions and Weight</b>		
Gross weight	31	37
Product dimensions (HxWxDmm)	818x595x548	818x595x548
Packed dimension (HxWxDmm)	883x659x586	883x659x586
<b>Colour</b>		
Colour	White	White

Chest Freezers	CHF102	CHF151	CHF200
<b>Features</b>			
Internal light	No	No	No
Adjustable feet	Electronic	Electronic	Electronic
Balanced hinge	Yes	Yes	Yes
Star rating	4	4	4
HFC free	Yes	Yes	Yes
Climate class	ST/N/SN	ST/N/SN	ST/N/SN
<b>Performance</b>			
Energy rating	F	F	F
Energy consumption (kW/24h)	0.58	0.62	0.68
Voltage (V-AC)	220-240	220-240	220-240
Frequency (Hz)	50	50	50
Noise level (dB)	40	40	40
Refrigerant	R600a	R600a	R600a
Gross total volume (lt/cft)	100	145	200
Net freezing volume (lt/cft)	98/3.46	142/5.01	198/6.99
Freezing capacity (kg/24hr)	6	7	10
<b>Dimensions and Weight</b>			
Gross weight	27	30	35
Product dimensions (HxWxDmm)	845x545x545	845x705x545	845x905x545
Packed dimension (HxWxDmm)	889x573x573	889x733x573	889x938x573
<b>Colour</b>			
Colour	White	White	White

Statesman operate a policy of continual improvement and development. We therefore reserve the right to change/alter the specification and appearance without prior notice.

Freestanding Refrigeration	TL235LWE	TL335LWE	TF160LWE	TF170LWE	LF1355W	LW1450W
<b>Features</b>						
Type	Tall Fridge	Tall Fridge	Tall Freezer	Tall Freezer	Fridge Freezer	Fridge Freezer
Fit type	Freestanding	Freestanding	Freestanding	Freestanding	Freestanding	Freestanding
Internal light	No	Yes	No	No	Yes	Yes
Adjustable feet	Yes	Yes	Yes	Yes	Yes	Yes
Reversible doors	Yes	Yes	Yes	Yes	Yes	Yes
Star rating	4	4	4	4	4	4
Auto defrost	Yes	Yes	-	-	Yes	Yes
Frost free	-	-	-	-	-	Low Frost
Total no frost	-	-	-	-	-	-
HFC free	Yes	Yes	Yes	Yes	Yes	Yes
Climate class	ST/N	ST	ST/N	ST/N	ST/N	N
<b>Performance</b>						
Energy rating	F	F	F	F	F	F
Energy consumption (kW/24h)	0.35	0.37	0.64	0.670	0.698	0.672
Voltage (V-AC)	220~240	220~240	220~240	220~240	220~240	22~240
Frequency (Hz)	50	50	50	50	50	50
Refrigerant	R600a	R600a	R600a	R600a	R600a	R600a
Total volume (lt)	230	340	160	245	202	173
Net refrigerant volume (lt)	230	335	-	-	134	113
Net freezing volume (lt)	-	-	160	225	69	61
Freezing capacity (kg/24hr)	-	-	7.2	10	3.2	3.2
<b>Dimensions and Weight</b>						
Gross weight	40.5	56	44	64	47.5	44.5
Product dimensions (HxWxDmm)	1420x550x550	1700x600x600	1420x550x550	1700x600x600	1360x540x595	1450x497x560
Packed dimension (HxWxDmm)	1450x585x585	1783x650x635	1450x585x585	1783x650x635	1412x578x632	1510x540x587
<b>Colour</b>						
Colour	White	White	White	White	White	White

Freestanding Refrigeration	F1654APWE/SE	FF1555W	FF1855W	FF1755X	TNF1860WE/XE
<b>Features</b>					
Type	Fridge Freezer	Fridge Freezer	Fridge Freezer	Fridge Freezer	Fridge Freezer
Fit type	Freestanding	Freestanding	Freestanding	Freestanding	Freestanding
Internal light	Yes	Yes	Yes	Yes	Yes
Adjustable feet	Yes	Yes	Yes	Yes	Yes
Reversible doors	Yes	Yes	Yes	Yes	Yes
Water dispenser	-	-	-	Yes	-
Star rating	4	4	4	4	4
Auto defrost fridge	-	Yes	Yes	Yes	Yes
Frost free	Low Frost	Yes	Yes	Yes	-
Total no frost	-	-	-	-	Yes
HFC free	Yes	Yes	Yes	Yes	Yes
Climate class	ST/N	ST/N	N	N/ST	SN/ST
<b>Performance</b>					
Energy rating	F	F	E	F	F
Energy consumption (kW/24h)	0.717	0.750	0.750	276	0.852
Voltage (V-AC)	220~240	220~240	220~240	220-240	220~240
Frequency (Hz)	50	50	50	50	50
Noise level (dB)	40	42	41	40	-
Refrigerant	R600a	R600a	R600a	R600a	R600a
Total volume (lt)	255	220	248	232	357
Net refrigerant volume (lt)	142	146	152	161	219
Net freezing volume (lt)	109	75	96	71	104
Freezing capacity (kg/24hr)	5	3.4	5.3	3.2	6.4
<b>Dimensions and Weight</b>					
Gross weight	55	48.5	65	57	71
Product dimensions (HxWxDmm)	1660x540x595	1520x540x595	1830x540x610	1775x545x580	1840x600x665
Packed dimension (HxWxDmm)	1712x578x632	1572x578x632	1882x578x632	1828x575x605	1928x640x715
<b>Colour</b>					
Colour	White, Silver	White, Black, Silver	White	Inox	White, Inox

Statesman operate a policy of continual improvement and development. We therefore reserve the right to change/alter the specification and appearance without prior notice.



**Freestanding Refrigeration** SBS177X

**Features**

Type	Fridge Freezer
Fit type	Freestanding
Internal light	Yes
Adjustable feet	Yes
Reversible doors	Yes
Water dispenser	-
Star rating	4
Auto defrost fridge	Yes
Frost free	-
Total no frost	Yes
HFC free	Yes
Climate class	ST/N/ST

**Performance**

Energy rating	F
Energy consumption (kW/24h)	1.07
Voltage (V-AC)	220~240
Frequency (Hz)	50
Noise level (dB)	40
Refrigerant	R600a
Gross total volume (lt)	532
Net refrigerant volume (lt)	347
Net freezing volume (lt)	185
Freezing capacity (kg/24hr)	14

**Dimensions and Weight**

Gross weight	98
Product dimensions (HxWxDmm)	1770x905x670
Packed dimension (HxWxDmm)	1862x972x710

**Colour**

Colour	Inox
--------	------

**Integrated Refrigeration** BIFF7030FF BIFF5050FF

**Features**

Type	Fridge Freezer	Fridge Freezer
Fit type	Integrated	Integrated
Internal light	Yes	Yes
Adjustable feet	No	No
Reversible doors	Yes	Yes
Star rating	4	4
Auto defrost fridge	Yes	Yes
Frost free	No	No
Total no frost	-	-
HFC free	Yes	Yes
Climate class	T/N	T/N

**Performance**

Energy rating	F	F
Energy consumption (kW/annum)	0.75	0.79
Voltage (V-AC)	220~240	220~240
Frequency (Hz)	50	50
Refrigerant	R600a	R600a
Total volume (lt)	242	229
Net refrigerant volume (lt)	180	145
Net freezing volume (lt)	68	85
Freezing capacity (kg/24hr)	3.3	3.9

**Dimensions and Weight**

Gross weight	53	56.5
Product dimensions (HxWxDmm)	1770x540x545	1770x540x545
Packed dimension (HxWxDmm)	1834x584x577	1834x584x577

**Colour**

Colour	White
--------	-------

**Cookers**

**DELTA50W**

**FUSION50W**

**NAPIER60EW**

**STUDIO2**

**LEGACY50GSLF**

**MAXI60GSF**

**Features**

Fuel type	Electric	Electric	Electric	Gas	Gas	Gas
Pan supports	-	-	-	Enamel	Enamel	Enamel
Lid	-	-	-	-	Yes	-
Storage compartments	Yes	-	No	No	Yes	-

**Hob**

Type	Hotplate	Hotplate	Hotplate	Burner	Burner	Burner
Rear left hotplate (kW)	1.5	1.5	1.5	-	-	-
Front left hotplate (kW)	1	1	1.5	-	-	-
Front right hotplate (kW)	2	2	2	-	-	-
Rear right hotplate (kW)	1	1	1	-	-	-
Number of Auxiliary Burners				1	1	1
Number of Rapid Burners				1	1	1
Number of Semi-Rapid Burners				2	2	2

**Controls**

Button ignition	-	No	-	Yes	Yes	Yes
Double glazed door	Yes	Yes	Yes	Yes	Yes	Yes
LPG conversion kit	-	-	-	Yes	Yes	Yes
Main Cavity Capacity	55	55	72	51	49	63
Top Cavity Capacity		31				

**Performance**

Energy rating	A	A	A	A	A	A
Energy consumption (kW/24hr)	17.52	17.52	19.20	-	-	-

**Dimensions and Weight**

Product dimensions (HxWxDmm)	900x500x600	900x500x600	900x500x600	900x500x600	900x500x500	900x600x600
Packed dimensions (HxWxDmm)	974x545x684	974x545x684	977x645x684	974x545x684	967x545x684	977x645x684
Net weight (kg)	43	43	46	37	36	43
Gross weight (kg)	46	46.2	49.5	40	39	46.5

**Colour**

Colour	White	White	White	White	White	White
--------	-------	-------	-------	-------	-------	-------

Statesman operate a policy of continual improvement and development. We therefore reserve the right to change/alter the specification and appearance without prior notice.

Cookers	EDC50W	EDC60W	TDC60X	GTL50W	GDL60W
<b>Features</b>					
Fuel type	Electric/Radiant	Electric/Radiant	Electric/Radiant	Gas	Gas
Pan supports	-	-	-	Enamel	Enamel
Lid	-	-	-	Yes	Yes
Storage compartments	-	-	-	-	-
<b>Hob</b>					
Type	Heat Zone	Heat Zone	Heat Zone	Burner	Burner
Rear left hotplate (kW)	1.2	1.2	1.2	-	-
Front left hotplate (kW)	1.8	1.8	1.8	-	-
Front right hotplate (kW)	1.2	1.2	1.2	-	-
Rear right hotplate (kW)	1.8	1.8	1.8	-	-
Number of Auxiliary Burners				1	1
Number of Rapid Burners				1	1
Number of Semi-Rapid Burners				2	2
<b>Controls</b>					
Button ignition	-	-	-	Yes	Yes
Removable door	Yes	Yes	Yes	Yes	Yes
LPG conversion kit	-	-	-	Yes	Yes
Net main oven volume (lt)	50	63	63	53	62
Net main top volume (lt)	31	36	36	29	27
<b>Performance</b>					
Energy rating	A	A	A	A+	A+
<b>Energy consumption (kW/24hr)</b>					
Main oven	17.52	18.48	18.48	-	1.35
Top oven	17.28	17.76	17.76	-	-
<b>Dimensions and Weight</b>					
Product dimensions (HxWxDmm)	900x500x600	900x600x600	900x600x600	900x500x600	900x600x600
Packed dimensions (HxWxDmm)	922x555x694	980x655x694	977x645x684	922x555x694	980x655x694
Net weight (kg)	46	48.9	50.3	45.9	49.0
Gross weight (kg)	47.1	50.5	52.3	47.3	50.5
<b>Colour</b>					
Colour	White	White, Black, Silver	Inox	White	White

Built-In Ovens	SFO60WH/SS/BL	SMO60/SS/BL	BDM373SS/BL
<b>Features</b>			
Fuel type	Electric	Electric	Electric
Controls type	Manual	Digital	Digital
LED panel	-	Yes	Yes
Program electronic timer	-	Yes	Yes
Light	Yes	Yes	Yes
Removable door	Yes	Yes	Yes
Easy clean enamel	Yes	Yes	-
Catalytic liners	-	-	Yes
Defrost	Yes	Yes	Yes
Fan oven	Yes	Yes	Yes
Fan assisted cooking	-	Yes	Yes
Fan assisted grilling	Yes	Yes	Yes
Dual grilling	-	Yes	Yes
Top oven volume (lt)	-	-	38
Main oven volume (lt)	-	-	72
Net oven volume (lt)	65	65	110
<b>Performance</b>			
Energy rating	A	A	A
<b>Dimensions and Weight</b>			
Product dimensions (HxWxDmm)	595x595x575	595x595x575	885x595x575
Packed dimensions (HxWxDmm)	660x650x595	660x595x650	965x693x718
Net weight (kg)	28.3	29.6	47.6
Gross weight (kg)	31.5	32.8	54.6
<b>Colour</b>			
Colour	White, Black, Stainless Steel	Black, Stainless Steel	Stainless Steel, Black

Statesman operate a policy of continual improvement and development. We therefore reserve the right to change/alter the specification and appearance without prior notice.

<b>Hobs</b>	<b>GH60WH</b>	<b>GH61SS</b>	<b>GH60GB</b>	<b>GH75SS</b>
<b>Features</b>				
Type	Gas	Gas	Gas	Gas
Cooking zones	4	4	4	5
Residual heat indicator	-	-	-	-
Control type	Dial	Dial	Dial	Dial
Control position	Front	Front	Front	Front
Pan supports	Enamel	Cast iron	Cast iron	Cast iron
Ignition type	Push Knob	Push Knob	Push Knob	Push Knob
Flame failure device	Yes	Yes	Yes	Yes
LPG conversion kit	Yes	Yes	Yes	Yes
Child lock	-	-	-	-
<b>Performance</b>				
Voltage	220~240	220~240	220~240	220~240
Front left rating (kW)	-	-	-	-
Front right rating (kW)	-	-	-	-
Rear left rating (kW)	-	-	-	-
Rear right rating (kW)	-	-	-	-
Middle rating (kW)	-	-	-	-
Number of Auxiliary Burners	1	1	1	1
Number of Rapid Burners	1	0	-	1
Number of Semi-Rapid Burners	2	2	2	2
Number of Triple Crown Burners	0	1	-	1
Number of Wok Burners	-	1	1	1
<b>Dimensions and Weight</b>				
Product dimensions (HxWxDmm)	95x590x500	90x594x514	102x600x510	90x760x510
Packed dimensions (HxWxDmm)	162x648x559	173x672x582	180x678x590	188x833x598
Aperture dimensions (WxDmm)	560x490	560x490	560x490	560x490
<b>Colour</b>				
Colour	White	Stainless Steel	Black Glass	Stainless Steel

<b>Hobs</b>	<b>CHZ460D</b>	<b>CHZ460T</b>	<b>IHZ460</b>	<b>ESH630WH/SS</b>
<b>Features</b>				
Type	Ceramic	Ceramic	Induction	Solid Plate
Cooking zones	4	4	4	4
Residual heat indicator	Yes	Yes	Yes	-
Control type	Dial & Touch	Touch	Touch	Dial
Control position	Side	Front	Front	Side
Pan supports	-	-	-	-
Flame failure device	-	-	-	-
LPG conversion kit	-	-	-	-
Child lock	Yes	Yes	Yes	-
Programmable timer	No	Yes	Yes	-
<b>Performance</b>				
Voltage	220~240	220~240	220~240	220~240
Front left rating (kW)	1.8	1.1/2.2	1.8/2.2	1.5
Front right rating (kW)	1.2	1.2	1.4	1
Rear left rating (kW)	1.2	1.2	1.4	1
Rear right rating (kW)	1.8	1.8	1.8	2
Middle rating (kW)	-	-	-	-
<b>Dimensions and Weight</b>				
Product dimensions (HxWxDmm)	50x520x590	50x520x590	58x520x590	40x580x510
Packed dimensions (HxWxDmm)	120x660x590	115x650x580	115x650x580	152x640x584
Aperture dimensions (WxDmm)	-	-	-	560x490
<b>Colour</b>				
Colour	Black	Black	Black	Stainless Steel, White

Statesman operate a policy of continual improvement and development. We therefore reserve the right to change/alter the specification and appearance without prior notice.

Hoods	VH60WH/SS	CHM60SS	CGH60GS
<b>Features</b>			
Type	Visor	Chimney	Chimney curved glass
Light	1 x LED 1.5W	2 x 1.5W	2 x LED 1.5W
Speed settings	2	3	3
Grease filter type	Metal and Aluminium	Aluminium	Aluminium
<b>Performance</b>			
Energy rating	C	B	B
Noise level (dB)	60	65	65
Air Flow at Maximum Speed in Normal Use (m <sup>3</sup> /hr)	166	333.3	336.9
Energy consumption (kW/annum)	42.9	26.3	28.6
<b>Dimensions and Weight</b>			
Product dimensions (HxWxDmm)	150x600x480	569x600x450	600x480x207
Packaging dimensions (HxWxDmm)	145x640x540	520x655x245	555x660x265
Gross weight (kg)	6.5	7.7	10.7
Hose diameter (mm)	120	150	150
<b>Colour</b>			
Colour	White, Stainless Steel	Stainless Steel	Stainless Steel

Dishwashers	FD10PWE	FD12PWE	BDW4509	BDW6014
<b>Features</b>				
Type	Freestanding	Freestanding	Integrated	Integrated
Place settings	10	12	9	14
Adjustable basket	Yes	Yes	Yes	Yes
Indicator lights	Yes	Yes	Yes	Yes
Temperatures (°C)	35/45/50/55/60/65/70	35/45/50/55/60/65/70	45/50/55/65	45/50/55/60/65
Flood protection	Yes	Yes	Yes	Yes
Heater protection	Yes	Yes	Yes	Yes
Wash cycle indicators	Yes	Yes	Yes	Yes
<b>Programmes</b>				
Prewash	Yes	Yes	-	-
Eco	45-60°C	45-60°C	45-66°C	45-60°C
Intensive	50-65°C	50-60°C	50-65°C	50-65°C
All in one/3-in-1	50-70°C	50-70°C	-	-
Normal/Universal	-	-	45-65°C	45-65°C
Rapid	-	-	45-50°C	45-50°C
90 Mins	60-65°C	60-65°C	60-65°C	60-65°C
Glass	50-65°C	50-65°C		
Delay Timer Length (Hrs)	1-24	1-24	3/6/9	3/6/9
<b>Performance</b>				
Noise level (db)	49	49	49	49
Energy consumption (kWh/cycle)	0.741	0.923	0.704	0.95
Voltage	230	230	220-240	220-240
Frequency	50	50	50	50
Energy rating	E	E	E	E
<b>Dimensions and Weight</b>				
Product dimensions (HxWxDmm)	845x448x610	845x598x610	815x448x550	815x598x550
Packed dimensions (HxWxDmm)	890x495x672	890x645x672	890x495x645	890x645x645
Net weight (kg)	35.5	41	29	32.5
Gross weight (kg)	40.5	46.5	34	38.5
<b>Colour</b>				
Colour	White	White	White	White

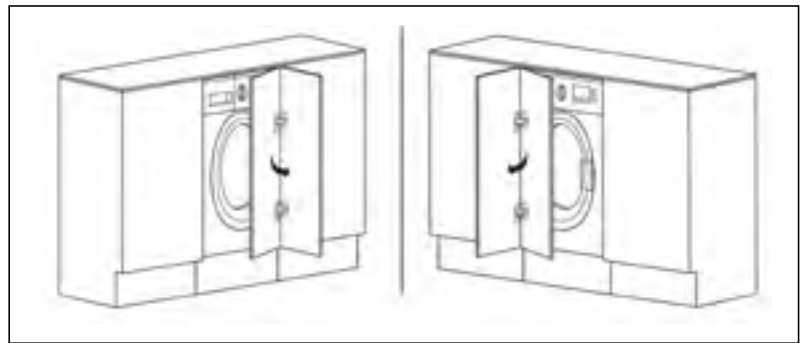
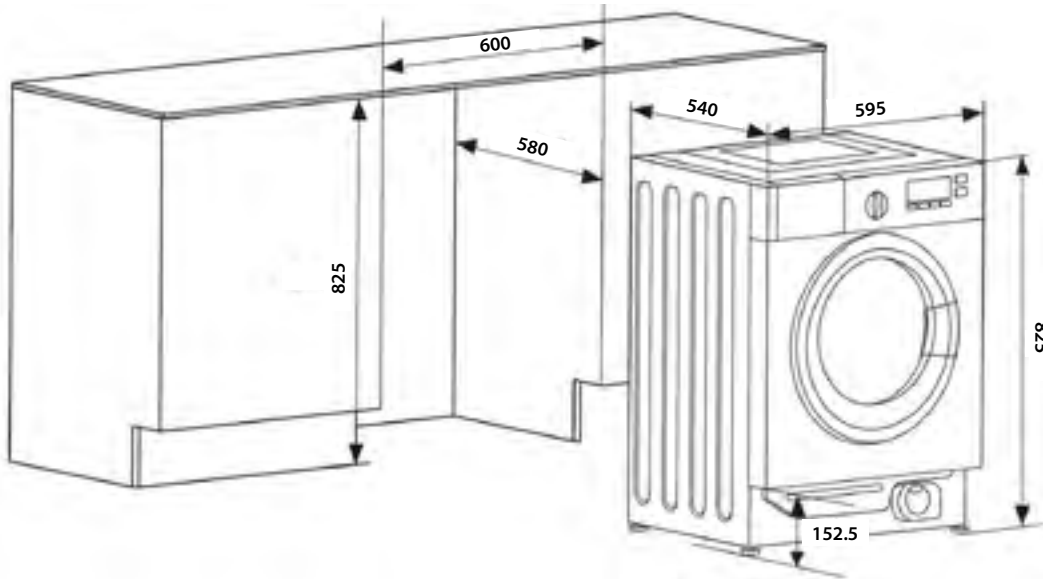
Statesman operate a policy of continual improvement and development. We therefore reserve the right to change/alter the specification and appearance without prior notice.

BIW0814

8kg Integrated Washing Machine

BXD0806

8kg/6kg Integrated Washer Dryer

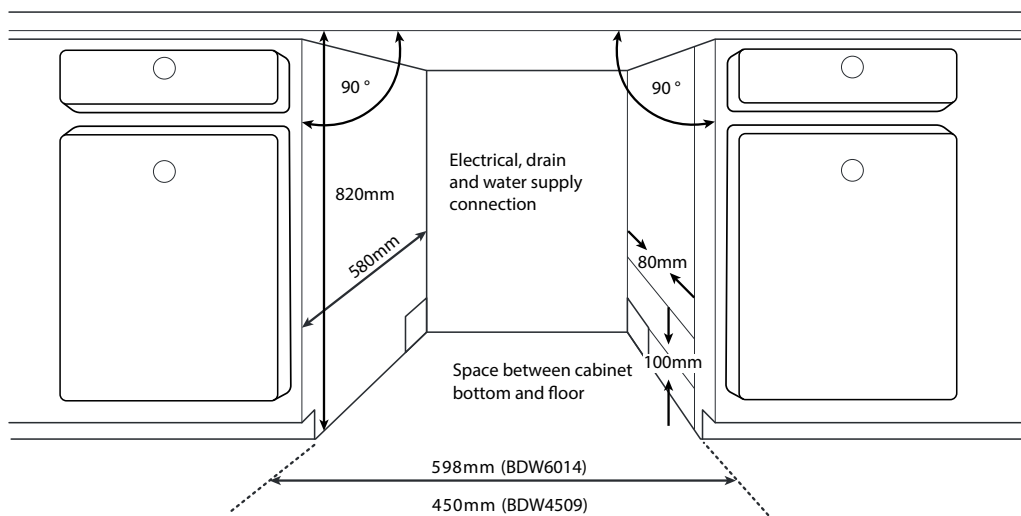


BDW4509

45cm Slimline 9 Place Integrated Dishwasher

BDW6014

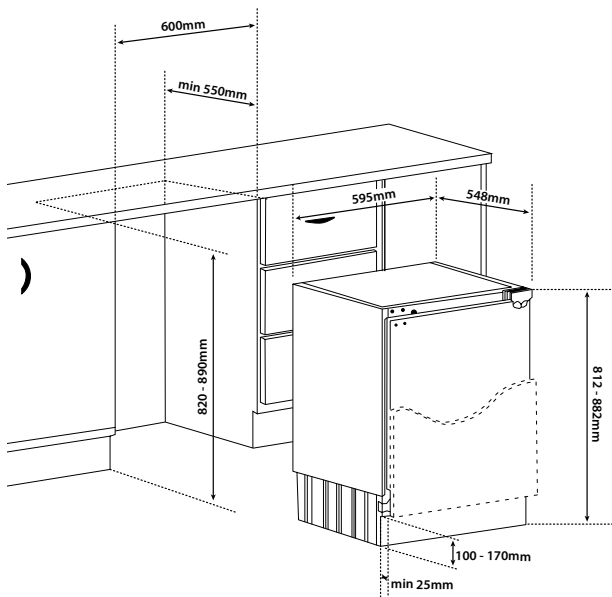
60cm 14 Place Integrated Dishwasher



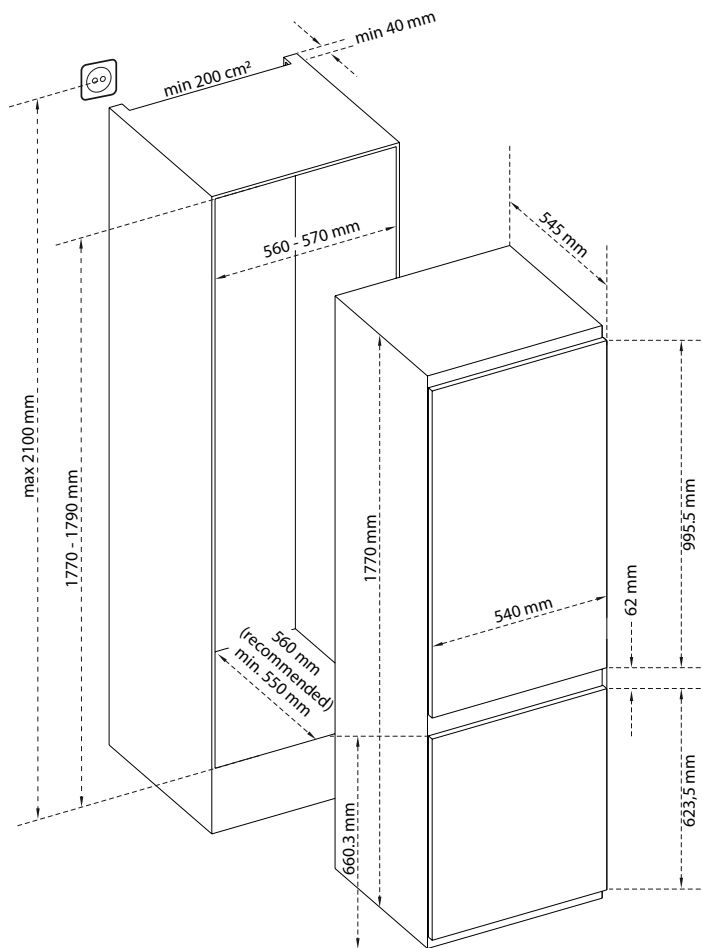
All measurements are in mm unless otherwise stated



**BU60LF4E / BU60FZ4E**  
Under Counter Refrigeration Units

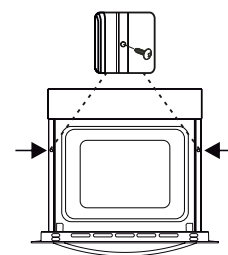


**BIFF7030FF**  
55cm 70/30 Integrated Fridge Freezer

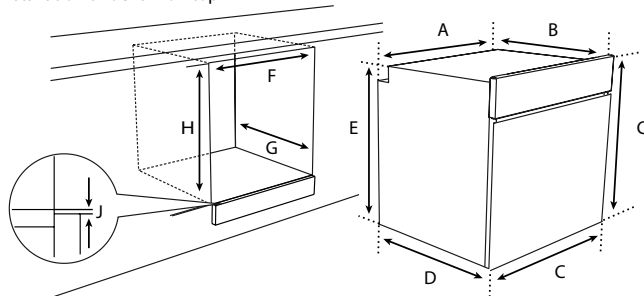


**SFO60WH/SS/BL & SMO60SS**  
Built-In Oven

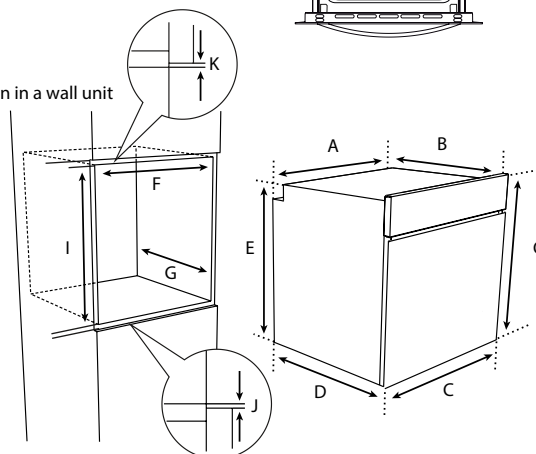
A (mm)	557	D (mm)	575	min./max. F (mm)	560/580	min. H/I (mm)	600/590
B (mm)	550	E (mm)	576	min. G (mm)	555	min. J/K (mm)	5/10
C (mm)	595						



Installation under a worktop



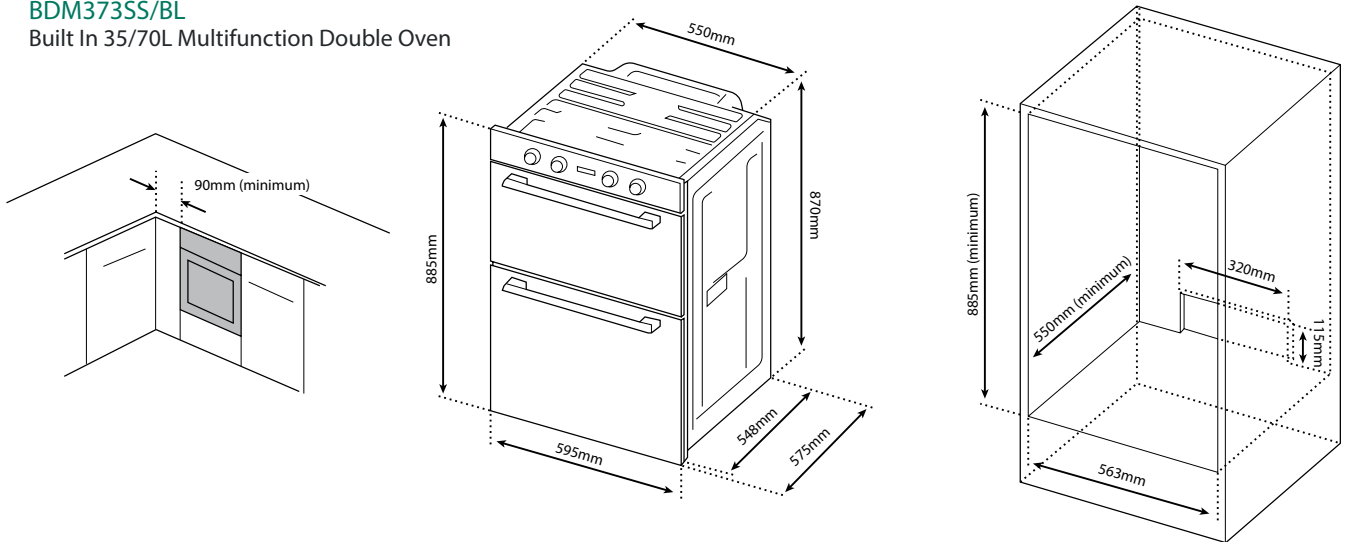
Installation in a wall unit



All measurements are in mm unless otherwise stated

**BDM373SS/BL**

Built In 35/70L Multifunction Double Oven



**CHZ460D**

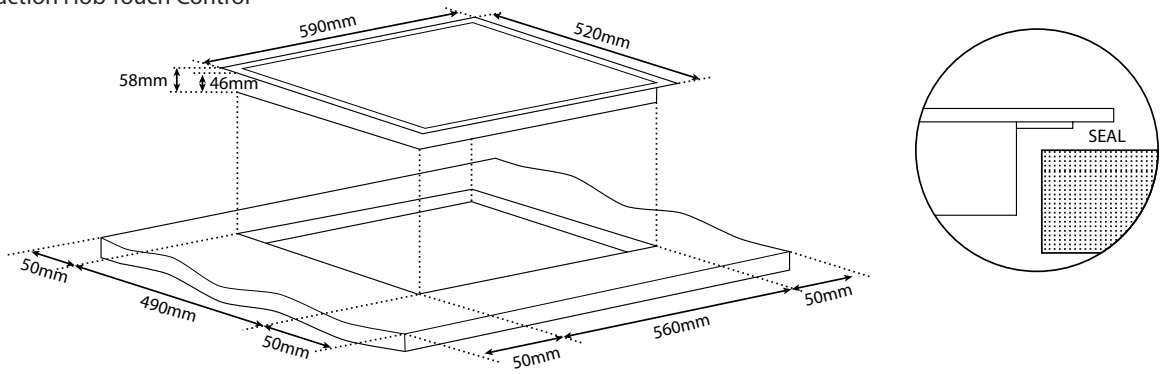
60cm 4 Zone Ceramic Hob with Dial Control

**CHZ460T**

60cm 4 Zone Ceramic Hob with Touch Control

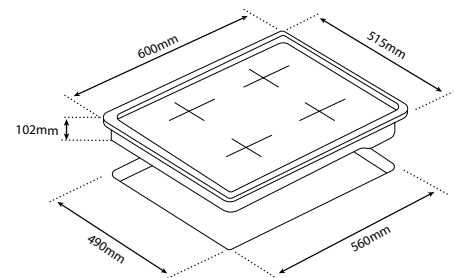
**IHZ460**

60cm 4 Zone Induction Hob Touch Control



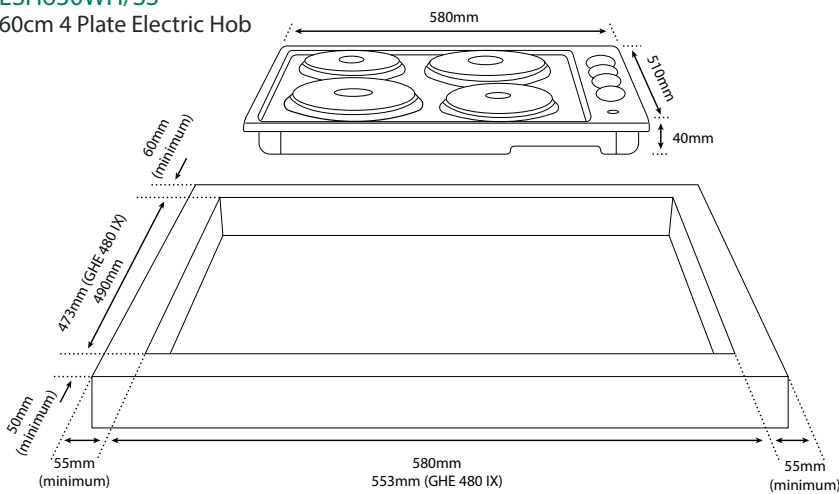
**GH60GB**

60cm 4 Zone Gas Glass Hob



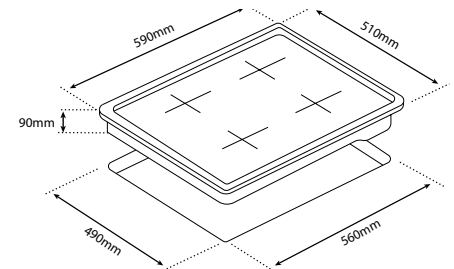
**ESH630WH/SS**

60cm 4 Plate Electric Hob



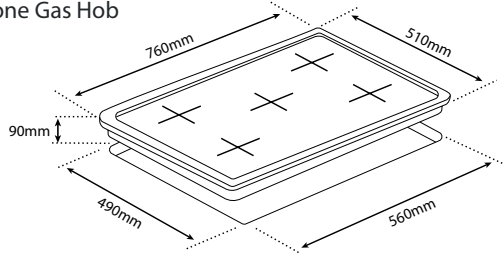
**GH61SS**

60cm 4 Zone Gas Hob



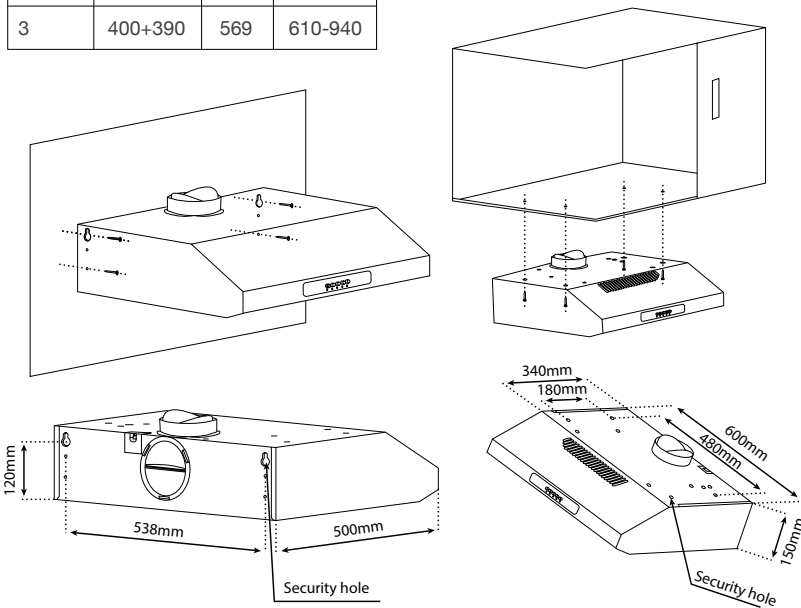
All measurements are in mm unless otherwise stated

**GH75SS/GB**  
75cm 5 Zone Gas Hob

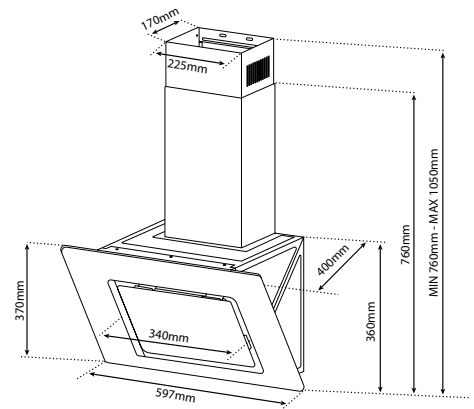
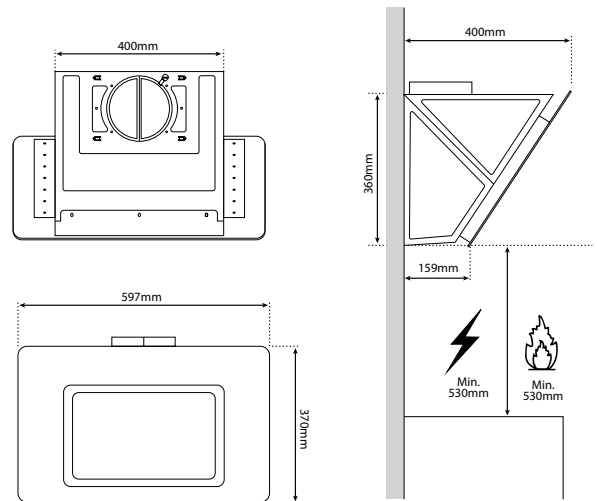


**VH60WH/SS**  
60cm Visor Cooker Hood

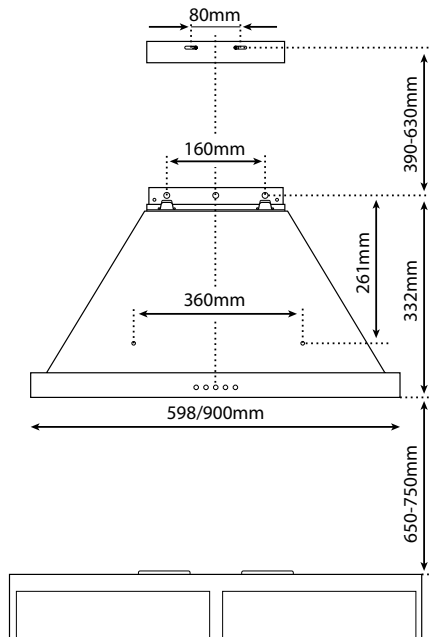
Option	Chimney	A	B
1	400+0	569	/
2	400+300	569	610-850
3	400+390	569	610-940



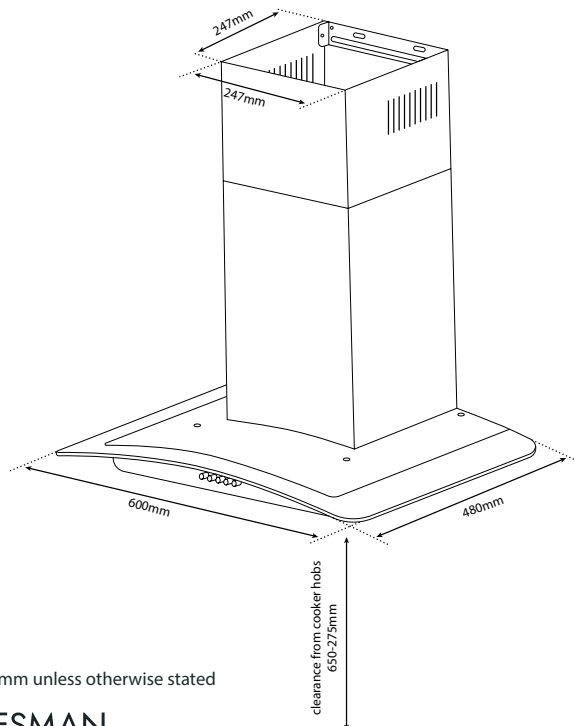
**ACH60BL**  
60cm Angled Glass Chimney Cooker Hood



**CHM60SS**  
60cm Chimney Cooker Hood



**CGH60GS**  
60cm Curved Glass Chimney Cooker Hood



All measurements are in mm unless otherwise stated

# CUSTOMER CARE

Reliable • Trustworthy • Dedicated

**We are passionate about the service we deliver to our customers and always aim to exceed customer expectations when they contact us for support.**

Our experienced UK-based customer service department is open 5 days a week Monday to Friday to ensure that if you have a query, we are on hand to diagnose, troubleshoot and help in any way we can.

**Sales, Customer Service & Spare Parts**

**01473 277508**

Our service department is open 5 days a week Monday to Friday from 8.20am to 4.50pm



# Register within 30 days to activate your additional **FREE 12 months warranty**

**Thank you for choosing a Statesman appliance.** To help protect your product, we want to give you an additional 12 months warranty. If you register your appliance within 30 days of purchase, we will activate your additional 12 months warranty, giving you 24 months peace of mind.

This means that in the event of a fault or breakdown, your appliance will be repaired or replaced, and the best part is it won't cost you a penny.

---

## Benefits of registering your guarantee

1. Access to a nationwide network of Statesman approved engineers
2. Call-out, parts and labour included
3. New for old replacement if your appliance can't be fixed
4. Fast and reliable service.

---

## Register today

You can instantly activate your 24 months guarantee by visiting **[www.statesmanwarranty.co.uk](http://www.statesmanwarranty.co.uk)**. Once your registration has been processed you will receive confirmation of your guarantee.

Register now: **[www.statesmanwarranty.co.uk](http://www.statesmanwarranty.co.uk)**  
**0333 577 7235**

## Guarantee Conditions

We, **STATESMAN**, undertake that if within 24 months, subject to registration within 30 days of the date of purchase this **STATESMAN** appliance or any part thereof is proved to be defective by reason only of faulty workmanship or material, we will at our discretion repair or replace the same **FREE OF CHARGE** for labour, material or carriage on condition that:

- The appliance has been correctly installed and used only on the electricity or gas supply stated on the rating plate.
- The appliance has been used for domestic purposes only, and in accordance with the manufacturer's operating and maintenance instructions.
- The appliance has not been serviced, maintained, repaired, taken apart or tampered with by any person not authorised by us.
- All service work under this guarantee must be undertaken by an authorised engineer.
- Any appliance or defective part replaced shall become the company's property.
- This guarantee is in addition to your statutory and other legal rights.

---

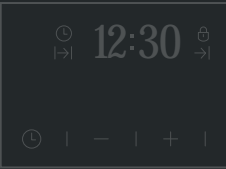
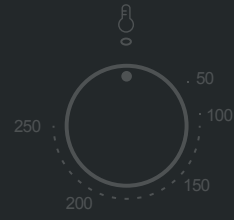
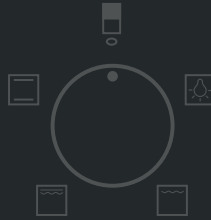
## Exclusions

This guarantee does not cover:

- Damage or calls resulting from transportation, improper use or neglect, the replacement of any light bulbs or removable parts or glass or plastic
- Door seals
- Appliances found to be in use within a commercial environment, plus those which are the subject of rental agreements, except where prior authorisation is granted by Statesman
- Products of Statesman manufacture which are not marketed by Statesman
- EU Countries - the standard guarantee is applicable but is subject to the owner's responsibility and cost, to ensure the appliance meets the standards set by the country to which the product is taken

Your Guarantee is administered by UK Warranty Ltd, Picktree Court, Picktree Lane, Chester-le-Street, Co Durham, DH3 3SY (Registered in England no 07728040).





STATESMAN

38 Bluestem Road, Ransomes Europark, Ipswich, Suffolk, IP3 9RR

[sales@statesmanappliances.co.uk](mailto:sales@statesmanappliances.co.uk)

Sales, Customer Service & Spare Parts: 01473 277508

[www.statesmanappliances.co.uk](http://www.statesmanappliances.co.uk)