


STATESMAN

kitchen appliances

SKA • Laundry • Refrigeration • Cooking • Dishwashing


www.statesmanappliances.co.uk | 01473 277508



Established in 2007, Statesman has developed an extensive range of freestanding and integrated kitchen appliances that combine user-friendly functionality with reliable build quality.

Offering consumers a selection of products across refrigeration, laundry, cooking and dishwashing, we ensure that the best technology is incorporated across the range to provide customers with white goods that are perfectly suited for the needs of modern living.

Our ethos is to provide the independent retailer with a brand they can rely on. Over 25,000 spare parts are stored in-house available for same-day dispatch, and our entire product range is supported by a full 2-year parts and labour guarantee for domestic use once registered* and a 1-year commercial warranty†. With Statesman, retailers can be confident that the needs of their customers will always be met.



2 Year
Parts & Labour
Guarantee*

*First year included, users must register within 30 days of purchase to receive second year of guarantee
† Domestic use in a commercial environment

Contents

Small Kitchen Appliances 04 - 07

| | |
|-----------------|---------|
| Air Fryer | 05 |
| Air Fryer Ovens | 05 |
| Microwaves | 06 - 07 |
| Beer Dispenser | 07 |

Laundry 08 - 12

| | |
|------------------|---------|
| Washing Machines | 09 - 10 |
| Washer Dryers | 11 |
| Tumble Dryers | 12 |

Refrigeration 13 - 24

| | |
|--------------|---------|
| Freestanding | 14 - 22 |
| Integrated | 23 - 24 |

Cooking 25 - 38

| | |
|----------------------|---------|
| Freestanding Cookers | 26 - 30 |
| Built-In Ovens | 31 - 32 |
| Hobs | 33 - 36 |
| Cooker Hoods | 37 - 38 |

Dishwashing 39 - 41

| | |
|--------------|----|
| Freestanding | 40 |
| Integrated | 41 |

Technical 42 - 57

| | |
|-----------------------|---------|
| Specifications | 43 - 52 |
| Installation Diagrams | 53 - 57 |

Customer Care 58 - 59



SMALL KITCHEN APPLIANCES

Air Fryers • Air Fryer Ovens • Microwaves • Beer Dispenser

5 Litre Digital Air Fryer

● **Black** SKAF05015BK



- Air fry for healthier cooking with less fat
- Quicker cooking times than conventional ovens
- Clear viewing window
- 5 litre capacity
- 360° hot air circulation
- 8 pre-set cooking programmes
- Digital touch control panel
- 90min cooking timer
- Temperature range of 65°C - 200°C
- Dishwasher safe parts with removable racks
- Anti-slip feet
- Cool touch housing

Dimensions (mm):
H:276 x W:266 x D:333

11 Litre 10-in-1 Digital Air Fryer Oven

● **Black** SKAO11015BK



- Temperature range up to 200°C
- Rotisserie lock system
- Interior light
- Clear digital touch button screen
- Digital 90min timer
- Non-stick and dishwasher safe accessories include:
 - Rotating basket
 - 2 x grill racks & drip tray
 - 8pc skewer set
 - Rotisserie fork and spit
 - Removable handle

Dimensions (mm):
H:369 x W:337 x D:336

15 Litre 13-in-1 Digital Air Fryer Oven

● **Black** SKAO15017BK



- Easy clean with removable guide rails
- Clear digital touch button screen
- Temperature range 30-200°C
- Interior light
- Digital 60min timer
- Auto-shut off
- Family size capacity
- Rotisserie system
- Non slip feet
- Non-stick and dishwasher safe accessories include:
 - Rotating basket
 - 2 x grill racks & drip tray
 - 8pc skewer set
 - Rotisserie fork and spit
 - Removable handle

Dimensions (mm):
H:356 x W:380 x D:433



20L 800W Digital Solo Microwave

● **Black** SKMS0820DSB ● **Silver** SKMS0820DSS

- 800W Microwave Power
- 20L Stainless Steel Cavity
- 245mm Turntable Diameter
- Digital Display
- 11 Power Levels
- 8 Auto Cooking Programmes
- Quick Start
- Speed Defrost & Weight Defrost
- Multi-Stage Cooking
- Child Safety Lock

Dimensions (mm):
H:262 x W:452 x D:392



23L 900W Digital Solo Microwave with Grill

● **Black** SKMG0923DSB ● **Silver** SKMG0923DSS

- 900W Microwave Power
- 1000W Grill Power
- 23L Stainless Steel Cavity
- 270mm Turntable Diameter
- Digital Display
- Grill, Grill+Microwave
- 11 Microwave Power Levels
- 9 Auto Cooking Programmes
- Express Cooking & Preset
- Weight & Speed Defrost
- Multi-Stage Cooking
- Mute Function
- Child Safety Lock

Dimensions (mm):
H:281 x W:483 x D:424



25L 900W Digital Combination Microwave

● **Black** SKMC0925SB ● **Silver** SKMC0925SS

- 900W Microwave Power
- 1950W Grill Power
- 1950W Convection Power
- 25L Stainless Steel Cavity
- 270mm Turntable Diameter
- Digital Display
- Grill, Grill+Microwave
- Convection, Convection+Microwave
- 11 Microwave Power Levels
- 10 Auto Cooking Programmes
- Express Cooking & Preset
- Weight Defrost
- Multi-Stage Cooking
- Child Safety Lock
- Grill Pan Included

Dimensions (mm):
H:281 x W:483 x D:450



30L 900W Digital Combination Microwave

● **Black** SKMC0930SB ● **Silver** SKMC0930SS



- 30 Litre Capacity
- 900W Microwave Power
- 1250W Grill Power
- 2200W Convection Power
- Digital Display
- 315mm Turntable Diameter
- Grill, Grill+Microwave, Convection, Convection+Microwave
- 11 Power Levels
- 10 Auto Cooking Programmes
- 95 Minute Timer
- Auto Defrost
- Multi-Stage Cooking
- Stainless Steel Cavity
- Child Safety Lock
- Button Adhesion Protection
- Grill Pan Included

Dimensions (mm):
H:300 x W:539 x D:452



Chilled Draught Beer Dispenser

● **Stainless Steel** SKBD500SS

- Fresh and Cold Beer Dispenser at Home
- Compatible with Universal 5L Keg and Pre-Carbonated 5L Keg
- 3 x 16g Standard CO2 Cannisters Included
- Thermoelectric Cooling System
- Cooling Range from 2-12°C
- LED Keg Temperature Display
- Elegant and Solid Stainless Steel Design
- Removable Drip Tray
- CO2 Gas Control
- 800ml Water Capacity for Enhanced Cooling
- Suitable for Prosecco and Wine

Dimensions (mm):
H:430 x W:272 x D:414





LAUNDRY

Washing Machines • Washer Dryers • Tumble Dryers



8kg Integrated Washing Machine 1400rpm

○ White BIW0814

- 8kg Load Capacity
- 1400rpm Spin Speed
- LED Display
- 16 Wash Programs
- Eco Wash
- 15 Minute Quick Wash
- Pre Wash
- Delay Timer 3-24 Hours
- Child Lock
- Sound Off

Energy Rating: B

Dimensions (mm):
H:825 x W:595 x D:540

Spin Noise Class: B
Spin Dry Efficiency: B

For installation diagram, please see page 53



6kg Washing Machine 1000rpm

○ White FWM0610W

- 6kg Capacity
- 15 Minute Rapid Wash
- 15 Wash Programs
- Eco Wash
- Pre Wash
- Child Lock
- Delay Timer
- Half Load Detection

Energy Rating: D

Dimensions (mm):
H:845 x W:597 x D:497

Spin Noise Class: B
Spin Efficiency: C



7kg Washing Machine 1400rpm

○ White FWM0714E

- 7kg Capacity
- 15 Wash Programs
- Eco Wash
- 15 Minute Rapid Wash
- Half Load Detection
- Delay Timer up to 23 Hours
- Child Lock
- LED Display
- Water Level Control

Energy Rating: D

Dimensions (mm):
H:845 x W:597 x D:527

Spin Noise Class: C
Spin Efficiency: B



9kg Washing Machine 1400rpm

○ White FWM0914W

- 9kg Capacity
- 15 Minute Rapid Wash
- 5 Wash Programs
- Eco & Anti-Allergy Wash
- Child Lock
- Pre Wash
- Delay Timer Up to 23 Hours
- Half Load Detection

Energy Rating: C

Dimensions (mm):
H:845 x W:597 x D:582

Spin Noise Class: B
Spin Efficiency: C





8kg/6kg Washer Dryer 1400rpm

○ White XD0806WE

- 8kg Wash Capacity
- 6kg Dry Capacity
- My Cycle
- Baby Care
- 1400rpm Spin Speed
- 16 Wash Programs
- 4 Dry Programs
- 15 Minute Quick Wash
- Pre Wash
- LED Display
- 24 Delay Timer

Energy Rating (Wash Only): B
Energy Rating (Wash and Dry): E

Dimensions (mm):
H:850 x W:595 x D:470

Spin Noise Class: B
Spin Efficiency: B



8kg/6kg Integrated Washer Dryer 1400rpm

○ White BXD0806

- 8kg Wash Capacity
- 6kg Dry Capacity
- Add Garment Function
- My Cycle
- Baby Care
- 1400rpm Spin Speed
- 16 Wash Programs
- 4 Dry Programs
- 15 Minute Quick Wash
- Pre Wash
- LED Display
- 24 Delay Timer

Energy Rating (Wash Only): B
Energy Rating (Wash and Dry): E

Dimensions (mm):
H:825 x W:595 x D:540

For installation diagram, please see page 53





7kg Vented Tumble Dryer

○ White TVM07W

- 7kg Drying Capacity
- Drying Sensor
- 4 Drying Programs
- Child Lock
- LED Display
- Safety Thermostat Heater
- 3 Dryness Levels
- Safety Reset
- Anti-Crease Function

Energy Rating: C

Dimensions (mm):
H:840 x W:595 x D:550



8kg Condenser Tumble Dryer

○ White TCM08W

- 8kg Load Capacity
- 16 Sensor Dry Programs
- Heat Function: Low/High
- Anti-Crease Setting
- 24 Hour Delay Timer
- Time Remaining, Tank Full and Clean Filter Indicators
- Reverse Action Drum
- LED Display
- Child lock

Energy Rating: B

Dimensions (mm):
H:845 x W:595 x D:615



8kg Heat Pump Tumble Dryer

○ White THP08W

- Heat Pump Technology
- 8kg Load Capacity
- Heat Function: Low/High
- 16 Sensor Dry Programs
- LED Display
- Reduced Ironing Function
- Time Remaining Indicator
- 24 Hour Delay Timer
- Tank Full Indicator
- Clean Filter Indicator
- Child Lock
- Reverse Action Drum

Energy Rating: A++

Dimensions (mm):
H:845 x W:595 x D:650



REFRIGERATION

Freestanding • Integrated



47cm Under Counter Larder Fridge

○ White UC47LFW

- 3 Adjustable Glass Shelves
- 3 Clear Door Shelves
- Large Salad Drawer
- Internal Light
- Reversible Door
- Adjustable Feet
- Thermostat Dial Control
- Metal Back

Energy Rating: E

Dimensions (mm):

H:864 x W:472 x D:446

Net Fridge Capacity: 93 Litres



47cm Under Counter Fridge with 4* Ice Box

○ White UC47IBW

- 2 Adjustable Glass Shelves
- 3 Clear Door Shelves
- Large Salad Drawer
- 4 Star Freezer Compartment
- Internal Light
- Reversible Door
- Adjustable Feet
- Thermostat Dial Control
- Metal Back

Energy Rating: E

Dimensions (mm):

H:845 x W:475 x D:445

Net Fridge Capacity: 68 Litres

Net Freezer Capacity: 12 Litres



47cm Under Counter Freezer

○ White UC47FZW

- 4 Star Freezer
- 3 Large Storage Drawers
- Reversible Door
- Adjustable Feet
- Thermostat Dial Control
- Metal Back

Energy Rating: E

Dimensions (mm):

H:845 x W:475 x D:445

Net Freezer Capacity: 60 Litres



55cm Under Counter Larder Fridge

○ White L255W ● Black L255B ● Silver L255S

- 2 Adjustable Glass Shelves
- Large Salad Drawer
- Internal Light
- Reversible Door
- Adjustable Feet
- Metal Back

Dimensions (mm):

H:845 x W:553 x D:574

Net Fridge Capacity: 131 Litres

Energy Rating: F



55cm Under Counter Fridge with 4* Ice Box

○ White R155W ● Black R155B ● Silver R155S

- 4 Star Freezer Compartment
- 1 Adjustable Glass Shelf
- Large Salad Drawer
- Internal Light
- Reversible Door
- Metal Back

Dimensions (mm):

H:845 x W:553 x D:574

Net Fridge Capacity: 97 Litres

Net Freezer Capacity: 16 Litres

Energy Rating: F



55cm Under Counter Freezer

○ White U355W ● Black U355B ● Silver U355S

- 4 Star Freezer
- 3 Large Storage Drawers
- Reversible Door
- Adjustable Feet
- Metal Back

Dimensions (mm):

H:845 x W:553 x D:574

Net Freezer Capacity: 83 Litres

Energy Rating: F





142cm High, 55cm Wide Tall Larder Fridge

○ White TL235LWE

- 3 Adjustable Glass Shelves
- Reversible Door
- Large Salad Drawer
- Internal Light
- Adjustable Feet
- Full Metal Back

Energy Rating: F

Dimensions (mm):

H:1420 x W:550 x D:550

Net Fridge Capacity: 230 Litres



170cm High, 60cm Wide Tall Larder Fridge

○ White TL335LWE

- 5 Adjustable Glass Shelves
- Reversible Door
- Large Salad Drawer
- Internal Light
- Adjustable Feet
- Full Metal Back

Energy Rating: F

Dimensions (mm):

H:1715 x W:600 x D:590

Net Fridge Capacity: 331 Litres



142cm High, 55cm Wide Tall Freezer

○ White TF160LWE

- 2 Shelves with Flap Closures (Top/Bottom)
- 3 Clear Freezer Drawers
- Reversible Door
- Adjustable Feet
- Full Metal Back

Energy Rating: F

Dimensions (mm):

H:1420 x W:550 x D:550

Net Freezer Capacity: 160 Litres





170cm High, 60cm Wide Tall Freezer

○ White TF170LWE

- 6 Clear Freezer Drawers
- 1 Maxi Freezer Box
- Reversible Door
- Adjustable Feet
- 4 Star Freezer
- Full Metal Back



Energy Rating: F

Dimensions (mm):

H:1710 x W:600 x D:605

Net Freezer Capacity: 242 Litres



123cm High, 50cm Wide 80/20 Fridge Freezer

○ White F1230APWE

- 2 Adjustable Glass Shelves
- Large Salad Drawer
- Egg Tray
- In Door Bottle Storage
- Internal Fridge and Freezer Lights
- 1 Clear Freezer Shelf

- Reversible Doors
- Adjustable Feet
- Full Metal Back



Energy Rating: F

Dimensions (mm):

H:1230 x W:500 x D:580

Total Capacity: 151 Litres

Net Fridge Capacity: 112 Litres

Net Freezer Capacity: 39 Litres



144cm High 50/50 Fridge Freezer

○ White F1448W

- 3 Adjustable Glass Fridge Shelves
- 3 Clear Fridge Door Shelves
- 3 Clear Freezer Drawers
- Large Salad Drawer
- Internal LED Light

- Reversible Doors
- Levelling Feet
- Noise Emissions: 40dB
- Manual Defrost



Energy Rating: F

Dimensions (mm):

H:1140 x W:480 x D:505

Net Total Capacity: 142 Litres

Net Fridge Capacity: 87 Litres

Net Freezer Capacity: 55 Litres



137cm High 50/50 Fridge Freezer

○ White F13552W

- Reversible Door
- Recessed Handle
- 3 Adjustable Glass Shelves and 2 Salad Drawers
- Clear Fridge Door Shelves
- 3 Clear Freezer Drawers
- Adjustable Leveling Feet
- 50:50 Door Split
- Removable Door Seal
- Manual Defrost



Energy Rating: F

Dimensions (mm):
H:1365 x W:550 x D:570

Net Total Capacity: 185 Litres
Net Fridge Capacity: 114 Litres
Net Freezer Capacity: 71 Litres



165cm High 50/50 Fridge Freezer

○ White F1655W ● Inox F1655X

- Reversible Door
- Recessed Handle
- 2 Adjustable Glass Shelves and 2 Salad Drawers
- 3 Clear Fridge Door Shelves
- 4 Clear Freezer Drawers
- Adjustable Leveling Feet
- 50:50 Door Split
- Removable Door Seal
- LED Lighting
- Manual Defrost



Energy Rating: F

Dimensions (mm):
H:1655 x W:550 x D:570

Net Total Capacity: 235 Litres
Net Fridge Capacity: 139 Litres
Net Freezer Capacity: 96 Litres



150cm High 60/40 Fridge Freezer Frost Free

○ White FF1547W

- Frost Free Technology
- Auto-Defrost
- Reversible Door
- 3 Adjustable Fridge Shelves
- 3 Fridge Door Shelves
- Large Salad Drawer
- 1 Sliding Freezer Tray
- 2 Clear Freezer Drawers
- LED Lighting
- Fast Freeze Function



Energy Rating: E

Dimensions (mm):

H:1500 x W:470 x D:566

Net Total Capacity: 173 Litres

Net Fridge Capacity: 120 Litres

Net Freezer Capacity: 53 Litres



55cm 50/50 Fridge Freezer Total No Frost

○ White TNF18552W

- Reversible Door
- Recessed Handle
- 1 Sliding Tray and 3 Freezer Drawers
- 3 Adjustable Fridge Shelves
- Large Salad Drawer
- 3 Fridge Door Shelves
- Adjustable Leveling Feet
- 50:50 Door Split
- Removable Door Seal
- LED Lighting
- No Need For Manual Defrost



Energy Rating: F

Dimensions (mm):

H:1810 x W:545 x D:600

Net Total Capacity: 247 Litres

Net Fridge Capacity: 165 Litres

Net Freezer Capacity: 82 Litres



55cm 50/50 Fridge Freezer with Water Dispenser Total No Frost

● **Inox** TNF1855DX

- Reversible Door
- Recessed Handle
- 1 Sliding Tray and 3 Freezer Drawers
- 3 Adjustable Fridge Shelves
- Large Salad Drawer
- 2 Fridge Door Shelves
- Plumbed Water Dispenser
- 50:50 Door Split
- Removable Door Seal
- LED Lighting
- No Need For Manual Defrost

Energy Rating: F

Dimensions (mm):

H:1810 x W:545 x D:600

Net Fridge Capacity: 82 Litres

Net Freezer Capacity: 125 Litres



186cm High, 60cm Wide 60/40 Fridge Freezer Total No Frost

○ **White** TNF1860WE ● **Inox** TNF1860XE

- Total No Frost
- LED Door Display
- Advanced Sensor Technology
- 3 Control Modes: Eco, Holiday, Super Freeze
- Door Alarm
- 3 Glass Shelves
- 1 Crystal Salad Crisper Drawer with Glass Cover
- 1 Fresh Converter Drawer
- 3 Clear Freezer Drawers
- Internal LED Light
- Reversible Doors
- Adjustable Feet
- Full Metal Back

Energy Rating: F

Dimensions (mm):

H:1840 x W:600 x D:665

Net Fridge Capacity: 219 Litres

Net Freezer Capacity: 104 Litres



177cm High, 90cm Wide American Side-By-Side Fridge Freezer Total No Frost

● **Inox** SBS177X

- Total No Frost
- 4 Star Freezer Rating
- Door Alarm
- 4 Fridge Shelves
- 1 Crystal Salad Crisper Drawer with Glass Cover
- 4 Freezer Shelves
- 1 Clear Freezer Drawers
- Internal LED Light
- Reversible Doors
- Adjustable Feet
- Full Metal Back

Energy Rating: F

Dimensions (mm):

H:1770 x W:905 x D:670

Net Total Capacity: 532 Litres

Net Fridge Capacity: 347 Litres

Net Freezer Capacity: 185 Litres





99 Litre Chest Freezer

○ White CHF100

- Front Manual Control
- Front Water Disposal Device
- Power Indicator Function
- Super Freezing Function
- 1 x Ice Scraper
- 1 x Wire Basket
- Compressor Switch Off Function
- Freezing Capacity (Kg/24h): 4.5
- Suitable for Outbuildings
- Refrigerant: R600a

Energy Rating: F

Dimensions (mm):

H:850 x W:545 x D:495

Net Freezer Capacity: 99 Litres



142 Litre Chest Freezer

○ White CHF150

- Front Manual Control
- Front Water Disposal Device
- Power Indicator Function
- Super Freezing Function
- 1 x Ice Scraper
- 1 x Wire Basket
- Compressor Switch Off Function
- Freezing Capacity (Kg/24h): 6.5
- Suitable for Outbuildings
- Refrigerant: R600a

Energy Rating: F

Dimensions (mm):

H:850 x W:632 x D:550

Net Freezer Capacity: 142 Litres



198 Litre Chest Freezer

○ White CHF198

- Front Manual Control
- Front Water Disposal Device
- Power Indicator Function
- Super Freezing Function
- 1 x Ice Scraper
- 1 x Wire Basket
- Compressor Switch Off Function
- Freezing Capacity (Kg/24h): 9
- Suitable for Outbuildings
- Refrigerant: R600a

Energy Rating: F

Dimensions (mm):

H:850 x W:816 x D:550

Net Freezer Capacity: 198 Litres





177cm High, 55cm Wide 50/50 Integrated Fridge Freezer Frost Free

○ White BIFF5050FF

- Frost Free Technology
- LED Lighting
- 4 Adjustable Glass Shelves
- Salad Drawer
- 4 Clear Freezer Drawers
- Ice Tray
- Transparent Door Shelves
- Reversible Doors
- Adjustable feet
- Full Metal Back



Energy Rating: F

Dimensions (mm):

H:1770 x W:540 x D:545

Net Total Capacity: 229 Litres

Net Fridge Capacity: 145 Litres

Net Freezer Capacity: 85 Litres

For installation diagram, please see page 47





177cm High, 55cm Wide 70/30 Integrated Fridge Freezer Frost Free

○ White BIFF7030FF

- Frost Free Technology
- LED Lighting
- 4 Adjustable Glass Shelves
- Salad Drawer
- 3 Clear Freezer Drawers
- Ice Tray
- Transparent Door Shelves
- Reversible Doors
- Adjustable feet
- Full Metal Back



Energy Rating: F

Dimensions (mm):

H:1770 x W:540 x D:545

Net Total Capacity: 242 Litres

Net Fridge Capacity: 180 Litres

Net Freezer Capacity: 63 Litres

For installation diagram, please see page 54



60cm Integrated Under Counter Larder Fridge

○ White BU60LF4E

- 2 Adjustable Glass Shelves
- Recessed Salad Crisper
- Internal Light
- Reversible Door
- Adjustable Feet

Energy Rating: F

Dimensions (mm):

H:818 x W:595 x D:548

Net Fridge Capacity: 134 Litres

For installation diagram, please see page 54



60cm Integrated Under Counter Freezer

○ White BU60FZ4E

- 4 Star Freezer
- 3 Large Storage Drawers
- Reversible Door
- Adjustable Feet

Energy Rating: F

Dimensions (mm):

H:818 x W:598 x D:548

Net Freezer Capacity: 96 Litres

For installation diagram, please see page 54



COOKING

Freestanding • Built-In • Hobs • Hoods

STATESMAN



50cm Single Cavity Electric Cooker

○ White DELTA50W

- Conventional Oven
- Integrated Grill
- Double Glazed Door
- 2 Oven Shelves and Deep Oven Tray with Chrome Grid
- Grill Pan, Rack and Handle Set
- 4 Solid Hotplates (1 Rapid Hotplate)
- Closed Door Grilling
- Removable Door
- Usable Storage Compartment
- Adjustable Height

Energy Rating: A

Dimensions (mm):

H:900 x W:500 x D:600

Net Oven Capacity: 55 Litres



50cm Twin Cavity Electric Cooker

○ White FUSION50W

- Conventional Main Oven
- Separate Grill
- Double Glazed Doors
- 2 Oven Shelves and Deep Oven Tray with Chrome Grid
- Grill Pan, Rack and Handle Set
- 4 Solid Hotplates (1 Rapid Hotplate)
- Adjustable Height

Energy Rating: A

Dimensions (mm):

H:850 x W:500 x D:600

Net Oven Capacity: 55 Litres

Net Grill Capacity: 31 Litres



60cm Single Cavity Electric Cooker

○ White NAPIER60EW

- Conventional Oven
- Integrated Grill
- Double Glazed Door
- 1 Oven Shelf and 1 Tray
- Grill Pan, Rack and Handle Set
- 4 Solid Hotplates
- Closed Door Grilling
- Removable Door
- Usable Storage Compartment
- Adjustable Height
- Pre Fitted Cable

Energy Rating: A

Dimensions (mm):

H:900 x W:600 x D:600

Net Oven Capacity: 72 Litres



50cm Single Cavity Gas Cooker

○ White STUDIO2

- Conventional Gas Oven
- Integrated Grill
- Double Glazed Door
- 1 Oven Shelf and 1 Tray
- Grill Pan, Rack and Handle Set
- Ignition Button
- 4 Gas Burners
- Includes LPG Conversion Kit
- Flame Failure Device
- Enamel Pan Supports
- Easy Clean

Energy Rating: A

Dimensions (mm):

H:900 x W:500 x D:600

Net Oven Capacity: 51 Litres



50cm Enamel Lid Single Cavity Gas Cooker

○ White LEGACY50GSLF

- Conventional Gas Oven
- Integrated Grill
- Enamel Lid
- Double Glazed Door
- 1 Oven Shelf and 2 Trays
- Grill Pan, Rack and Handle Set
- Ignition Button
- Battery Operated Ignition
- 4 Gas Burners
- Includes LPG Conversion Kit
- Flame Failure Device
- Usable Storage Compartment
- Enamel Pan Supports
- Easy Clean

Energy Rating: A

Dimensions (mm):

H:900 x W:500 x D:500

Net Oven Capacity: 49 Litres





60cm Single Cavity Gas Cooker

○ White MAXI60GSF

- Conventional Gas Oven
- Integrated Grill
- Double Glazed Door
- 1 Oven Shelf and 1 Tray
- Grill Pan, Rack and Handle Set
- 4 Gas Burners
- Removable Door
- Includes LPG Conversion Kit
- Flame Failure Device
- Usable Storage Compartment
- Enamel Pan Supports
- Easy Clean

Energy Rating: A

Dimensions (mm):

H:900 x W:600 x D:600

Net Oven Capacity: 63 Litres



50cm Double Oven Electric Cooker

○ White EDC50W ● Black EDC50B ● Silver EDC50S



- Double Oven
- Ceramic Hob
- Fan Assisted Main Oven
- Moulded Enamel Oven Walls
- 2 Chrome Shelves
- 1 Deep Tray with Wired Chrome Grid
- Integrated Grill
- Double Glazed Door
- Adjustable Height
- Pre-Fitted Cable
- 2 Oven Lights



Energy Rating: **A**

Dimensions (mm):
H:900 x W:500 x D:600

Net Main Oven Capacity: 50 Litres
Net Top Oven Capacity: 31 Litres

60cm Double Oven Electric Cooker

○ White EDC60W2 ● Black EDC60B2 ● Silver EDC60S2



- Double Oven
- Ceramic Hob
- Fan Assisted Main Oven
- Moulded Enamel Oven Walls
- 2 Chrome Shelves
- 1 Deep Tray with Wired Chrome Grid
- Integrated Grill
- Double Glazed Door
- Adjustable Height
- Pre-Fitted Cable
- 2 Oven Lights



Energy Rating: **A**

Dimensions (mm):
H:900 x W:600 x D:600

Net Main Oven Capacity: 63 Litres
Net Top Oven Capacity: 36 Litres



50cm Glass Lid Twin Cavity Gas Cooker

○ White GTL50W

- Thermostat
- Flame Failure Device
- 1 Deep Tray with Wired Chrome Grid
- 2 Chrome Shelves
- Moulded Enamel Walls
- Glass Lid
- Ignition Button with Cable
- 2 Oven Lights
- Separate Grill
- Double Glazed Door
- 4 Gas Burners
- Includes LPG Conversion Kit
- Enamel Pan Supports

Energy Rating: A

Dimensions (mm):

H:900 x W:500 x D:600

Net Main Oven Capacity: 53 Litres

Net Top Oven Capacity: 29 Litres



60cm Glass Lid Double Oven Gas Cooker

○ White GDL60W2

- Thermostat
- Flame Failure Device
- 1 Deep Tray with Wired Chrome Grid
- 2 Chrome Shelves
- Moulded Enamel Walls
- Glass Lid
- Ignition Button with Cable
- 2 Oven Lights
- Separate Grill
- Double Glazed Door
- 4 Gas Burners
- Includes LPG Conversion Kit
- Enamel Pan Supports

Energy Rating: A+

Dimensions (mm):

H:900 x W:600 x D:600

Net Main Oven Capacity: 62 Litres

Net Top Oven Capacity: 27 Litres

Built-In Single Fan Oven

● **Stainless Steel** BSF60SS ○ **White** BSF60WH ● **Black** BSF60BL



- 70L Capacity Oven with Fan Assisted Cooking
- 4 Cooking Functions
- 2 Hour Timer
- 2 Oven Shelves
- 1 Universal Pan
- Easy Clean Enamel Interior
- Removable Door
- Pre-Fitted 13a Cable



Energy Rating: A

Dimensions (mm):

H:595 x W:595 x D:575

Net Oven Capacity: 70 Litres



For installation diagrams, please see page 54

Built-In Single Multifunctional Oven

● **Stainless Steel** BSM60SS ● **Black** BSM60BL



- 70L Capacity Multifunction Oven with Fan Assisted Cooking
- 8 Cooking Functions
- Programmable Timer with LED Display
- 2 Oven Shelves
- 1 Universal Pan
- Easy Clean Enamel Interior
- Removable Door
- Pre-Fitted 13a Cable



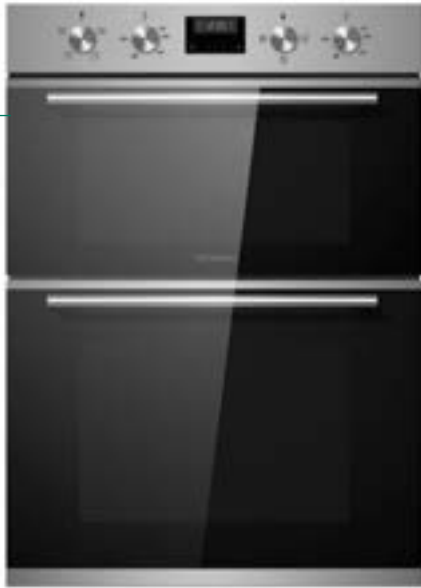
Energy Rating: A

Dimensions (mm):

H:595 x W:595 x D:575

Net Oven Capacity: 70 Litres

For installation diagrams, please see page 54



Built In 35/70L Multifunction Double Oven

● **Stainless Steel** BDM373SS ● **Black** BDM373BL

- Top Cavity Capacity: 35L
- Bottom Cavity Capacity: 70L
- Catalytic Oven Liners
- 3 Cooking Functions
- Open and Closed Door Grilling
- LED Display
- Digital Minute Minder
- 2 Oven Shelves
- 1 Deep Pan
- 3 Top Cavity Shelf Positions
- 5 Bottom Cavity Shelf Positions
- Removable Rack Supports
- 2 Layer Flat Glass Door



Energy Rating: A

Dimensions (mm):

H:885 x W:595 x D:575

Net Oven Capacity: 110 Litres

Net Main Oven Capacity: 72 Litres

Net Top Oven Capacity: 38 Litres

For installation diagrams, please see page 55





60cm 4 Plate Electric Hob

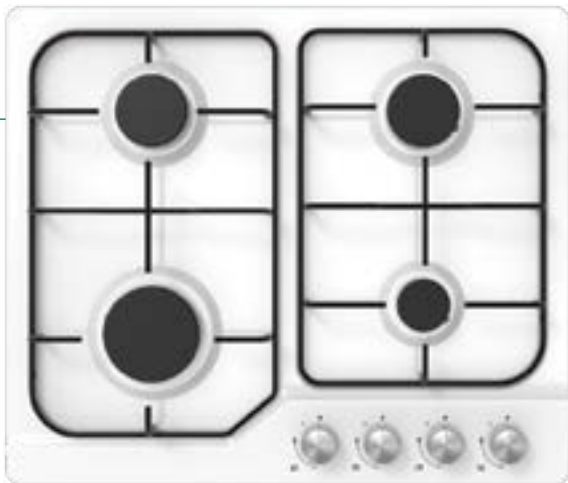
● **Stainless Steel** ESH630SS ○ **White** ESH630WH

- Side Dial Control
- 2 x Large Hotplates
- 2 x Small Hotplates
- Easy clean hob surface

Dimensions (mm):

H:40 x W:580 x D:510

For installation diagrams, please see page 55



60cm 4 Zone Gas Glass Hob

○ **White** GH60WH

- Front Dial Control
- Automatic Ignition
- 4 Burners: 1 Wok, 2 Semi-Rapid and 1 Simmer
- Includes LPG Conversion Kit
- Durable Cast Iron Pan Supports

Dimensions (mm):

H:95 x W:590 x D:510

For installation diagrams, please see page 55



60cm 4 Zone Gas Glass Hob

● **Black** GH60GB

- Front Dial Control
- Automatic Ignition
- 4 Burners: 1 Wok, 2 Semi-Rapid and 1 Simmer
- Includes LPG Conversion Kit
- Durable Cast Iron Pan Supports

Dimensions (mm):

H:102 x W:600 x D:510

For installation diagrams, please see page 55



60cm 4 Zone Gas Hob

● **Stainless Steel** GH61SS

- Front Dial Control
- Automatic Ignition
- 4 Burners: 1 Wok, 2 Semi-Rapid and 1 Simmer
- Includes LPG Conversion Kit
- Durable Cast Iron Pan Supports

Dimensions (mm):

H:90 x W:594 x D:514

For installation diagrams, please see page 55



75cm 5 Zone Gas Hob

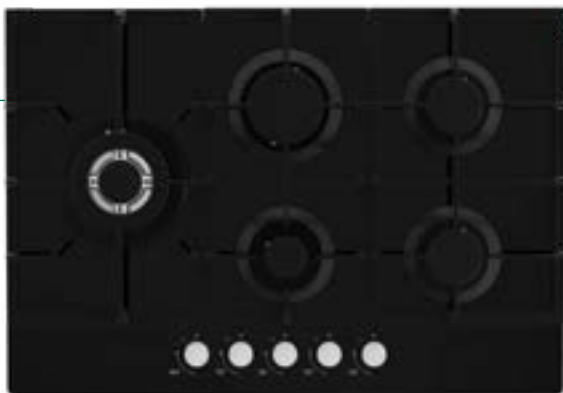
● **Stainless Steel** GH75SS

- Front Dial Control
- Automatic Ignition
- 5 Burners: 1 Triple Crown Wok Burner, 1 Rapid, 2 Semi-Rapid and 1 Simmer
- Includes LPG Conversion Kit
- Durable Cast Iron Pan Supports

Dimensions (mm):

H:90 x W:760 x D:510

For installation diagrams, please see page 56



75cm 5 Zone Gas Hob

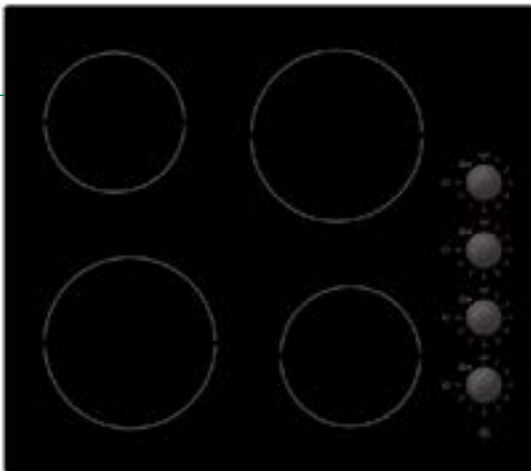
● **Black** GH75GB

- Front Dial Control
- Automatic Ignition
- 5 Burners: 1 Triple Crown Wok Burner, 1 Rapid, 2 Semi-Rapid and 1 Simmer
- Includes LPG Conversion Kit
- Durable Cast Iron Pan Supports

Dimensions (mm):

H:90 x W:760 x D:510

For installation diagrams, please see page 56



60cm 4 Zone Ceramic Hob with Dial Control

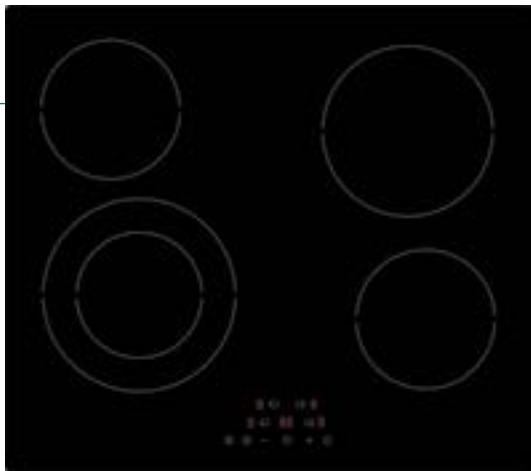
● **Black** CHZ460D

- 6000W Total Power Output
- Side Dial Control
- Front Left / Rear Right Zones: 1.8kW Power, 200mm Diameter
- Rear Left / Front Right Zones: 1.2kW Power, 135mm Diameter
- Programmable Timer
- Residual Heat Indicators
- 9 Stage Power Settings
- Child Lock
- Easy Clean Black Scott Glass

Dimensions (mm):

H:50 x W:590 x D:520

For installation diagrams, please see page 55



60cm 4 Zone Ceramic Hob with Touch Control

● **Black** CHZ460T

- 6400W Total Power Output
- Touch Control
- Dual Zone Function (Front Left Zone Only)
- Front Left Zone: 1.1 / 2.2kw Power, 140 / 230mm Diameter
- Rear Left / Front Right Zones: 1.2kW Power, 135mm Diameter
- Rear Right Zone: 1.8kW Power, 200mm Diameter
- Programmable Timer
- Residual Heat Indicators
- 9 Stage Power Settings
- Child Lock
- Easy Clean Black Scott Glass

Dimensions (mm):

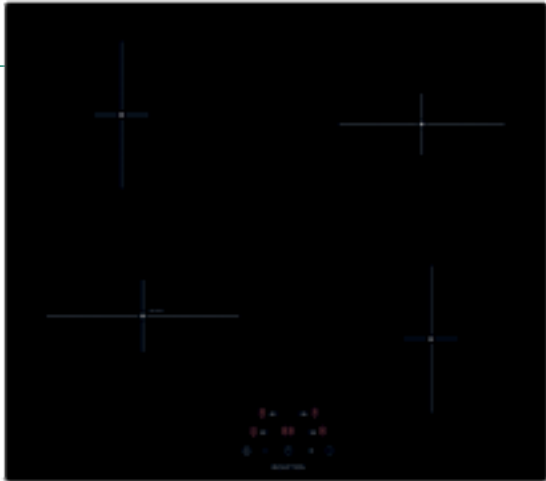
H:50 x W:590 x D:520

For installation diagrams, please see page 55



60cm 4 Zone Induction Hob Touch Control

● **Black** IHZ460



- 6800W Total Power Output
- Touch Control
- Boost Function (Front Left Zone Only)
- Front Left Zone: 1.8 / 2.2kw Power, 210mm Diameter
- Rear Left / Front Right Zones: 1.4kW Power, 160mm Diameter
- Rear Right Zone: 1.8kW Power, 180mm Diameter
- Programmable Timer
- Residual Heat Indicators
- 9 Stage Power Settings
- Child Lock
- Easy Clean Black Scott Glass

Dimensions (mm):

H:58 x W:590 x D:520

For installation diagrams, please see page 55

2 and 4 zone induction hobs with 15min auto cut off timer available.

2 Zone: IHZ230CT

4 Zone: IHZ460CT





60cm Visor Cooker Hood

White VH60WH Stainless Steel VH60SS



- 2 Speed Settings
- Slide Control
- Metal and Aluminium Grease Filters
- 1.5W LED Light
- Noise Level: 60 dB(A)
- Extraction Rate: 103.1 m³/h

Energy Rating: C

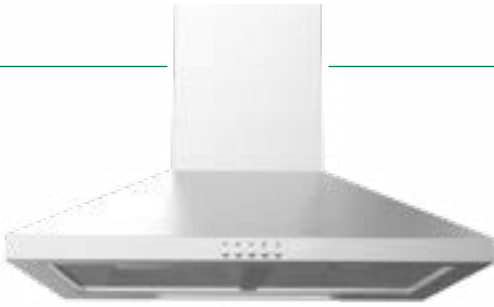
Dimensions (mm):

H:105 x W:600 x D:480

For installation diagrams, please see page 56

60cm Chimney Cooker Hood

● **Stainless Steel** CHM60SS



- 3 Speed Settings
- Push Button Control
- Aluminum Mesh Washable Grease Filter
- 1.5W LED Light
- Noise Level: 65 dB(A)
- Extraction Rate: 188.2m³/h

Energy Rating: B

Dimensions (mm):

H:569 x W:600 x D:450

For installation diagrams, please see page 57

60cm Curved Glass Chimney Cooker Hood

● **Stainless Steel** CGH60GS



- 3 Speed Settings
- Push Button Control
- Aluminum Mesh Washable Grease Filter
- 1.5W LED Light
- Noise Level: 65 dB(A)
- Extraction Rate: 198.4m³/h

Energy Rating: B

Dimensions (mm):

H:480 x W:600 x D:440

For installation diagrams, please see page 57

60cm Angled Glass Chimney Cooker Hood

● **Black** ACH60BL



- 3 Speed Settings
- Push Button Control
- Aluminum Mesh Washable Grease Filter
- 1.5W LED Light
- Noise Level: 65 dB(A)
- Extraction Rate: 156.2m³/h

Energy Rating: B

Dimensions (mm):

H:400 x W:597 x D:392

For installation diagrams, please see page 57



DISHWASHING

Freestanding · Integrated

STATESMAN



45cm Slimline 10 Place Dishwasher

○ White FD10PWE

- 10 Place Settings
- 6 Wash Programs: All in One, Intensive, ECO, 90 Min, Glass and Soak
- Half Load Wash Function
- Program Indicator
- Water Softness Adjustment
- Cold Water Fill
- Water Consumption (L/Cycle): 9
- Energy Consumption (kWh/Cycle): 0.76
- Noise Level: 49dB

Energy Rating: E

Dimensions (mm):

H:845 x W:448 x D:610



60cm 12 Place Dishwasher

○ White FD12PWE

- 12 Place Settings
- 6 Wash Programs: Intensive, All in One, Eco, 90 Mins, Glass, Soak
- Half Load Wash Function
- Program Indicator
- Water Softness Adjustment
- Cold Water Fill
- Water Consumption (L/Cycle): 11
- Energy Consumption (kWh/Cycle): 0.93
- Noise Level: 49dB

Energy Rating: E

Dimensions (mm):

H:845 x W:598 x D:610



45cm Slimline 9 Place Integrated Dishwasher

○ White BDW4509

- 9 Place Settings
- 5 Wash Programs: Intensive, Normal, Eco, 90min, Rapid
- 3/6/9 Hour Timer
- Adjustable Basket
- Indicator Lights

Energy Rating: E

Dimensions (mm):

H:815 x W:448 x D:550

For installation diagram, please see page 53



60cm 14 Place Integrated Dishwasher

○ White BDW6014

- 14 Place Settings
- 5 Wash Programs: Intensive, Normal, Eco, 90min, Rapid
- 3/6/9 Hour Timer
- Water Softness Adjustment
- LED Light
- Cutlery Basket

Energy Rating: E

Dimensions (mm):

H:815 x W:598 x D:550

For installation diagram, please see page 53



TECHNICAL

Specifications • Installation Diagrams

Air Fryers

| | SKAF05015BK | SKAO11015BK | SKAO15017BK |
|------------------------------|-----------------|--|---|
| Features | | | |
| Type | Air fryer | Air fryer oven | Air fryer oven |
| Cavity capacity (L) | 5.4 | 10.8 | 15 |
| Cavity dimensions (HxWxDmm) | 132 x 208 x 197 | 179 x 260 x 232 | 183 x 275 x 302 |
| Control type | Touch control | Touch control | Touch control |
| Number of functions | 8 | 9 | 12 |
| Number of shelf positions | 1 | 3 | 3 |
| Number of shelves | 1 | 3 | 3 |
| Oven light | Yes | Yes | Yes |
| Oven tray included | Yes | Yes | Yes |
| Power indicator light | Yes | Yes | Yes |
| Non-stick basket | Yes | - | - |
| Temperature range (°C) | 65 - 200 | 30 - 200 | 30 - 200 |
| Variable temperature | Yes | Yes | Yes |
| 360° Hot air function | Yes | Yes | Yes |
| Accessories included | Crisping Rack | 2 Mesh racks Drip tray Rotating basket Handle 8pc skewer set Rotisserie fork and spit | 2 Non-stick racks Non-stick drip tray Rotating basket Removable handle 8pc skewer set Rotisserie fork and spit |
| Non-slip feet | Yes | Yes | Yes |
| Heat resistant housing | Yes | Yes | Yes |
| Auto shut-off | Yes | Yes | Yes |
| Dishwasher safe parts | Yes | Yes | Yes |
| Viewing window | Yes | Yes | Yes |
| Timer | Yes | Yes | Yes |
| Display type | Digital LCD | LED | LED |
| Programs | | | |
| Air fry | Yes | Yes | Yes |
| Roast | Yes | Yes | Yes |
| Bake | Yes | Yes | Yes |
| Grill | Yes | Yes | Yes |
| Dehydrate | - | Yes | Yes |
| Rotisserie | - | Yes | Yes |
| Reheat | Yes | Yes | Yes |
| Pizza | - | Yes | Yes |
| Dimensions and Weight | | | |
| Product dimensions (HxWxDmm) | 276x266x333 | 369x337x336 | 356x380x433 |
| Packed dimensions (HxWxDmm) | 312x317x376 | 425x370x370 | 490x435x405 |
| Net weight (kg) | 3.65 | 7.9 | 9.8 |
| Gross weight (kg) | 4.3 | 8.6 | 11.6 |
| Colour | | | |
| Colour | Black | Black | Black |

Statesman operate a policy of continual improvement and development. We therefore reserve the right to change/alter the specification and appearance without prior notice.

| Microwaves | SKMS0820DSB/S | SKMG0923DSB/S | SKMC0925SB/S | SKMC0930SB/S |
|-----------------------------------|----------------------|----------------------|---------------------|---------------------|
| Features | | | | |
| Type | Digital solo | Digital with grill | Digital combination | Digital combination |
| Microwave output power (W) | 800 | 900 | 900 | 900 |
| Finish | Stainless steel | Stainless steel | Stainless steel | Stainless steel |
| Voltage (V) | 230 | 230 | 230 | 230 |
| Frequency (Hz) | 50 | 50 | 50 | 50 |
| Wattage (W) | 800 | 900 | 900 | 900 |
| Cable length (m) | 1.01 | 1.01 | 1.01 | 1.01 |
| Control type | Dials & buttons | Dials & buttons | Dials & buttons | Dials & buttons |
| Cavity capacity (L) | 20 | 23 | 25 | 30 |
| Cavity dimensions (HxWxDmm) | 180 x 315 x 329 | 220 x 340 x 320 | 220 x 340 x 344 | 224 x 354 x 358 |
| Turntable diameter (mm) | 245 | 270 | 270 | 315 |
| Digital display | Yes | Yes | Yes | Yes |
| Convection cooking function | - | - | Yes | Yes |
| Convection output power (W) | - | - | 1950 | 2200 |
| Grill function | - | Yes | Yes | Yes |
| Grill output power (W) | - | 1000 | 1950 | 1250 |
| Number of power levels | 11 | 11 | 11 | 11 |
| Number of auto cooking programmes | 8 | 9 | 10 | 10 |
| Defrost function | Yes | Yes | Yes | Yes |
| Cavity material | Stainless steel | Stainless steel | Stainless steel | Stainless steel |
| Interior light | Yes | Yes | Yes | Yes |
| Dimensions and Weight | | | | |
| Product dimensions (HxWxDmm) | 262x452x392 | 281x483x424 | 281x483x450 | 300x539x452 |
| Packed dimensions (HxWxDmm) | 292x496x415 | 337x547x456 | 362x564x480 | 366x608x480 |
| Net weight (kg) | 13.6 | 13.8 | 15.2 | 18 |
| Gross weight (kg) | 14.6 | 14.9 | 16.3 | 19.1 |
| Colour | | | | |
| Colour | Black, Silver | Black, Silver | Black, Silver | Black, Silver |

Beer Dispenser **SKBD500SS**

| | |
|---|-----------------|
| Features | |
| Finish | Stainless steel |
| Voltage (V) | 220-240 |
| Frequency (Hz) | 50 |
| Wattage (W) | 65 |
| Cable length (m) | 1.2 |
| Capacity (L) | 5 |
| Maximum operating pressure (bar) | 60kg |
| Cooling time at room temperature (23°C) (hours) | 21 |
| Number of CO ₂ cannisters included | 3 |
| Suitable for pre-carbonated 5L kegs | Yes |
| Suitable for non-carbonated 5L keg | Yes |
| Removable drip tray | Yes |
| Cooling function | Yes |
| Variable temperature control | Yes |
| Variable temperature range (°C) | 2-12 |
| Keg adapter | Yes |
| Cleaning bottle | Yes |
| Dimensions and Weight | |
| Product dimensions (HxWxDmm) | 430x272x414 |
| Packed dimensions (HxWxDmm) | 470x334x460 |
| Net weight (kg) | 6.65 |
| Gross weight (kg) | 7.90 |
| Colour | |
| Colour | Black |

Statesman operate a policy of continual improvement and development. We therefore reserve the right to change/alter the specification and appearance without prior notice.

| Washing Machines | FWM0610W | FWM0714E | FWM0914W | BIW0814 |
|---|----------------|----------------|----------------|----------------|
| Features | | | | |
| Fit type | Freestanding | Freestanding | Freestanding | Integrated |
| Spin speed (rpm) | 1000 | 1400 | 1400 | 1400 |
| Load capacity (kg) | 6 | 7 | 9 | 8 |
| Water inlet | Cold | Cold | Cold | Cold |
| Add garment function | - | - | - | Yes |
| Variable spin | - | - | - | Yes |
| Delay timer | Yes | Yes | Yes | Yes |
| Delay timer length | Up to 23 hours | Up to 23 hours | Up to 23 hours | Up to 24 hours |
| Load balancing system | - | - | - | Yes |
| Child lock | Yes | Yes | Yes | Yes |
| LED panel | - | Yes | Yes | Yes |
| Control type | Dial/Button | Dial/Button | Dial/Button | Dial/Button |
| Inverter motor | - | - | No | Yes |
| Programs | | | | |
| Spin | Yes | Yes | Yes | Yes |
| Rinse | Yes | Yes | Yes | Yes |
| Prewash | Yes | Yes | Yes | Yes |
| Quick wash | 15min | 15min | 15min | 15min |
| Number of Wash Programs | 15 | 15 | 15 | 16 |
| Performance | | | | |
| Energy rating <i>(New 2021 Energy Labelling Regulations)</i> | D | D | C | B |
| Energy consumption per cycle (kWh) | 0.65 | 0.69 | 0.66 | 0.545 |
| Voltage (V) | 220-240 | 220-240 | 220-240 | 220-240 |
| Frequency (Hz) | 50 | 50 | 50 | 50 |
| Power rating (W) | 2100 | 2100 | 2200 | 1950 |
| Weighted water consumption per cycle (lt) | 43 | 45 | 50 | 48 |
| Program duration at rated capacity (min) | 188 | 195 | 209 | 203 |
| Spin-drying efficiency | C | B | B | B |
| Spin noise level (dB) | 76 | 79 | 77 | 76 |
| Spin noise class | B | C | C | B |
| Dimensions and Weight | | | | |
| Product dimensions (HxWxDmm) | 845x597x497 | 845x597x527 | 845x597x582 | 825x595x540 |
| Packed dimensions (HxWxDmm) | 881x641x547 | 881x641x557 | 891x641x640 | 875x680x605 |
| Net weight (kg) | 55.2 | 62 | 71 | 63 |
| Gross weight (kg) | 56.6 | 64 | 75 | 66 |
| Colour | | | | |
| Colour | White | White/Silver | White | White |

Statesman operate a policy of continual improvement and development. We therefore reserve the right to change/alter the specification and appearance without prior notice.

| Washer Dryers | XD0806WE | BXD0806 |
|---|-----------------------------------|-----------------------------------|
| Features | | |
| Fit type | Freestanding | Integrated |
| Spin speed (rpm) | 1400 | 1400 |
| Wash capacity (kg) | 8 | 8 |
| Drying Capacity (kg) | 6 | 6 |
| Water inlet | Cold | Cold |
| Add garment function | - | - |
| Variable spin | Yes | Yes |
| Delay timer | Yes | Yes |
| Delay timer length | 3-24 Hours | 3-24 Hours |
| Load balancing system | Yes | Yes |
| Child lock | Yes | Yes |
| LED panel | Yes | Yes |
| Control type | Dial/Button | Dial/Button |
| Drying control | Sensor | Sensor |
| Heat Settings | Cold/20/30/ 40/60/90 | Cold/20/30/ 40/60/90 |
| Drying Programs | 4 | 4 |
| Programs | | |
| Quick Wash | Yes | Yes |
| Extra Rinse | Yes | Yes |
| Prewash | Yes | - |
| Easy Iron | Yes | Yes |
| Extra Wash | Yes | - |
| Number of Programs | 16 | 16 |
| Performance | | |
| Energy rating (wash only) | B | B |
| Energy rating (wash and dry) | E | E |
| Energy consumption per cycle wash only (kWh) | 0.544 | 0.545 |
| Energy consumption per cycle wash and dry (kWh) | 3.6 | 3.6 |
| Voltage (V) | 220~240 | 220~240 |
| Frequency (Hz) | 50 | 50 |
| Power rating (W) | 1900 | 1900 |
| Water consumption per cycle (lt) | Wash and dry: 90 Wash only: 48 | Wash and dry: 90 Wash only: 48 |
| Spin noise level (dB) | 76 | 76 |
| Spin noise class | B | B |
| Dimensions and Weight | | |
| Product dimensions (HxWxDmm) | 850x595x475 | 825x595x540 |
| Packed dimensions (HxWxDmm) | 885x650x555 | 875x680x605 |
| Net weight (kg) | 65 | 64 |
| Gross weight (kg) | 68 | 68 |
| Colour | | |
| Colour | White | White |

| Tumble Dryers | TVM07W | TCM08W | THP08W |
|------------------------------|---------------|---------------|------------------------|
| Features | | | |
| Drying type | Vented | Condenser | Heat Pump Condenser |
| Drying control | Electronic | Sensor | Sensor |
| Drying capacity (kg) | 7 | 8 | 8 |
| Door opening angle° | 165 | 165 | 165 |
| Door diameter (inner mm) | 375 | 375 | 375 |
| Drum material | Steel | Steel | Steel |
| Venting position | Rear | N/A | N/A |
| Water collection | N/A | Yes | Top |
| Number of programs | 4 | 16 | 16 |
| Reduced Ironing | - | - | - |
| Child lock | Yes | Yes | Yes |
| Performance | | | |
| Energy rating | C | B | A++ |
| Voltage (V) | 220~240 | 220~240 | 220~240 |
| Power rating (W) | 2000 | 2700 | 800 |
| Frequency (Hz) | 50 | 50 | 50 |
| Cycle duration (mins) | 130 | 140 | 175 |
| Noise level (dB) | 69 | 69 | 69 |
| Dimensions and Weight | | | |
| Product dimensions (HxWxDmm) | 840x595x550 | 845x595x615 | 845x595x650 |
| Packed dimensions (HxWxDmm) | 890x665x575 | 880x660x680 | 885x685x695 |
| Net weight (kg) | 33 | 41 | 49 |
| Gross weight (kg) | 36 | 44 | 52 |
| Colour | | | |
| Colour | White | White | White |

Statesman operate a policy of continual improvement and development. We therefore reserve the right to change/alter the specification and appearance without prior notice.

| Under Counter Refrigeration | UC47LFW | UC47IBW | UC47FZW | R155W/B/S | L255W/B/S | U355W/B/S |
|-------------------------------|--------------|--------------------|--------------|---------------------|---------------------|---------------------|
| Features | | | | | | |
| Type | U/C Fridge | U/C Fridge/Freezer | U/C Freezer | U/C Fridge | U/C Fridge | U/C Freezer |
| Fit type | Freestanding | Freestanding | Freestanding | Freestanding | Freestanding | Freestanding |
| Internal light | Yes | Yes | No | Yes | Yes | - |
| Adjustable feet | Yes | Yes | Yes | Yes | Yes | Yes |
| Reversible doors | Yes | Yes | Yes | Yes | Yes | Yes |
| Star rating | - | 4 | 4 | 4 | - | 4 |
| Auto defrost | - | - | - | - | - | - |
| Frost free | - | - | - | - | - | - |
| HFC free | Yes | Yes | Yes | Yes | Yes | Yes |
| Climate class | ST/N | ST/N | ST/N | ST/N | ST/N | ST/N |
| Performance | | | | | | |
| Energy rating | E | E | E | F | F | F |
| Energy consumption (kWh/24hr) | 0.24 | 0.38 | 0.43 | 0.48 | 0.31 | 0.56 |
| Voltage (V-AC) | 220~240 | 220~240 | 220~240 | 220~240 | 220~240 | 220~240 |
| Frequency (Hz) | 50 | 50 | 50 | 50 | 50 | 50 |
| Refrigerant | R600a | R600a | R600a | R600a | R600a | R600a |
| Gross total volume (ltr) | 93 | 80 | 60 | 133 | 131 | 83 |
| Net refrigerant volume (ltr) | 93 | 68 | - | 97 | 131 | - |
| Net freezing volume (ltr) | - | 12 | 60 | 16 | - | 83 |
| Freezing capacity (kg/24hr) | - | 2 | 6 | 2 | - | 4 |
| Dimensions and Weight | | | | | | |
| Gross weight | 22.6 | 22.8 | 22.6 | 28.8 | 28.7 | 30.5 |
| Product dimensions (HxWxDmm) | 864x472x446 | 845x475x445 | 845x475x445 | 845x553x574 | 845x553x574 | 845x553x574 |
| Packed dimension (HxWxDmm) | 890x490x460 | 865x490x460 | 865x490x460 | 865x578x598 | 865x578x598 | 865x578x598 |
| Colour | | | | | | |
| Colour | White | White | White | White, Black Silver | White, Black Silver | White, Black Silver |

| Integrated Under Counter | BU60LF4E | BU60FZ4E |
|---------------------------------|-------------|-------------|
| Features | | |
| Type | U/C Fridge | U/C Freezer |
| Fit type | Integrated | Integrated |
| Internal light | Yes | - |
| Adjustable feet | Yes | Yes |
| Reversible doors | Yes | Yes |
| Star rating | - | 4 |
| Auto defrost | - | - |
| Frost free | - | - |
| HFC free | Yes | Yes |
| Climate class | SN | SN |
| Performance | | |
| Energy rating | F | F |
| Energy consumption (kW/24h) | 0.32 | 0.60 |
| Voltage (V-AC) | 220~240 | 220~240 |
| Frequency (Hz) | 50 | 50 |
| Refrigerant | R600a | R600a |
| Gross total volume (lt/cft) | 134/4.73 | 96/3.39 |
| Net refrigerant volume (lt/cft) | 134/4.73 | - |
| Net freezing volume (lt/cft) | - | 96/3.39 |
| Freezing capacity (kg/24hr) | - | 5 |
| Dimensions and Weight | | |
| Gross weight | 31 | 37 |
| Product dimensions (HxWxDmm) | 818x595x548 | 818x595x548 |
| Packed dimension (HxWxDmm) | 883x659x586 | 883x659x586 |
| Colour | | |
| Colour | White | White |

| Chest Freezers | CHF100 | CHF150 | CHF198 |
|-------------------------------|-------------|-------------|-------------|
| Features | | | |
| Internal Light | No | No | No |
| Adjustable Feet | No | No | No |
| Star Rating | 4 | 4 | 4 |
| HFC Free | Yes | Yes | Yes |
| Climate Class | SN/N/ST/T | SN/N/ST/T | SN/N/ST/T |
| Performance | | | |
| Energy Rating | F | F | F |
| Energy Consumption (kWh/24hr) | 0.6 | 0.7 | 0.7 |
| Voltage (V-AC) | 230 | 230 | 230 |
| Frequency (Hz) | 50 | 50 | 50 |
| Noise Level (dB) | 38 | 41 | 41 |
| Refrigerant | R600a | R600a | R600a |
| Gross Total Volume (ltr) | 99 | 142 | 198 |
| Net Freezing Volume (ltr) | 99 | 142 | 198 |
| Freezing Capacity (lg/24hr) | 4.5 | 6.5 | 9 |
| Dimensions and Weight | | | |
| Gross weight | 29.9 | 26.4 | 29.9 |
| Product dimensions (HxWxDmm) | 850x545x495 | 850x632x550 | 850x816x550 |
| Packed dimension (HxWxDmm) | 870x578x520 | 870x665x578 | 870x853x578 |
| Colour | | | |
| Colour | White | White | White |

Statesman operate a policy of continual improvement and development. We therefore reserve the right to change/alter the specification and appearance without prior notice.

| Freestanding Refrigeration | TL235LWE | TL335LWE | TF160LWE | TF170LWE | F13552W | F1448W |
|------------------------------|--------------|--------------|--------------|--------------|----------------|----------------|
| Features | | | | | | |
| Type | Tall Fridge | Tall Fridge | Tall Freezer | Tall Freezer | Fridge Freezer | Fridge Freezer |
| Fit type | Freestanding | Freestanding | Freestanding | Freestanding | Freestanding | Freestanding |
| Internal light | Yes | Yes | No | No | Yes | Yes |
| Adjustable feet | Yes | Yes | Yes | Yes | Yes | Yes |
| Reversible doors | Yes | Yes | Yes | Yes | Yes | Yes |
| Star rating | - | - | 4 | 4 | 4 | 4 |
| Auto defrost | - | - | - | - | - | - |
| Frost free | - | - | - | - | - | - |
| Total no frost | - | - | - | - | - | - |
| HFC free | Yes | Yes | Yes | Yes | Yes | Yes |
| Climate class | ST/N | ST/N | ST/N | ST/N | ST/N | ST/N |
| Performance | | | | | | |
| Energy rating | F | F | F | F | F | F |
| Energy consumption (kW/24h) | 0.28 | 0.40 | 0.64 | 0.74 | 0.68 | 0.64 |
| Voltage (V-AC) | 220~240 | 220~240 | 220~240 | 220~240 | 220~240 | 220~240 |
| Frequency (Hz) | 50 | 50 | 50 | 50 | 50 | 50 |
| Refrigerant | R600a | R600a | R600a | R600a | R600a | R600a |
| Total volume (lt) | 230 | 331 | 160 | 242 | 185 | 142 |
| Net refrigerant volume (lt) | 230 | 331 | - | - | 114 | 87 |
| Net freezing volume (lt) | - | - | 160 | 242 | 71 | 55 |
| Freezing capacity (kg/24hr) | - | - | 7.2 | 11 | 3.2 | 2.5 |
| Dimensions and Weight | | | | | | |
| Gross weight | 40.5 | 56 | 44 | 64 | 46 | 40 |
| Product dimensions (HxWxDmm) | 1420x550x550 | 1715x600x590 | 1420x550x550 | 1710x600x605 | 1365x550x570 | 1440x480x505 |
| Packed dimension (HxWxDmm) | 1450x585x585 | 1783x650x635 | 1450x585x585 | 1783x650x635 | 1415x575x605 | 1517x510x560 |
| Colour | | | | | | |
| Colour | White | White | White | White | White | White |

| Freestanding Refrigeration | F1655W/X | FF1547W | TNF18552W | TNF1855DX | TNF1860WE/XE |
|--------------------------------|----------------|----------------|----------------|----------------|----------------|
| Features | | | | | |
| Type | Fridge Freezer | Fridge Freezer | Fridge Freezer | Fridge Freezer | Fridge Freezer |
| Fit type | Freestanding | Freestanding | Freestanding | Freestanding | Freestanding |
| Internal light | Yes | Yes | Yes | Yes | Yes |
| Adjustable feet | Yes | Yes | Yes | Yes | Yes |
| Reversible doors | Yes | Yes | Yes | Yes | Yes |
| Water dispenser | - | - | - | Yes | - |
| Star rating | 4 | 4 | 4 | 4 | 4 |
| Auto defrost fridge | - | Yes | Yes | Yes | Yes |
| Frost free | - | Yes | - | - | - |
| Total no frost | - | - | Yes | Yes | Yes |
| HFC free | Yes | Yes | Yes | Yes | Yes |
| Climate class | N | SN/N/ST | N/ST | N/ST | SN/N/ST |
| Performance | | | | | |
| Energy rating | F | E | F | F | F |
| Energy consumption (kWh/Annum) | 267 | 203 | 284 | 283 | 311 |
| Voltage (V-AC) | 220~240 | 220~240 | 220~240 | 220~240 | 220~240 |
| Frequency (Hz) | 50 | 50 | 50 | 50 | 50 |
| Noise level (dB) | 40 | 41 | 40 | 40 | 40 |
| Refrigerant | R600a | R600a | R600a | R600a | R600a |
| Total volume (lt) | 235 | 179 | 247 | 245 | 323 |
| Net refrigerant volume (lt) | 139 | 120 | 165 | 163 | 219 |
| Net freezing volume (lt) | 96 | 53 | 82 | 82 | 104 |
| Freezing capacity (kg/24hr) | 4.4 | 3 | 3.7 | 3.7 | 6.4 |
| Dimensions and Weight | | | | | |
| Gross weight | 55 | 42 | 55 | 55 | 72 |
| Product dimensions (HxWxDmm) | 1655x550x570 | 1500x470x566 | 1810x545x600 | 1810x545x600 | 1840x600x665 |
| Packed dimension (HxWxDmm) | 1706x575x605 | 1540x505x583 | 1885x577x622 | 1885x577x622 | 1931x640x715 |
| Colour | | | | | |
| Colour | White, Inox | White | White | Inox | White, Inox |

Statesman operate a policy of continual improvement and development. We therefore reserve the right to change/alter the specification and appearance without prior notice.

Freestanding Refrigeration SBS177X

| Features | |
|------------------------------|----------------|
| Type | Fridge Freezer |
| Fit type | Freestanding |
| Internal light | Yes |
| Adjustable feet | Yes |
| Reversible doors | Yes |
| Water dispenser | - |
| Star rating | 4 |
| Auto defrost fridge | Yes |
| Frost free | - |
| Total no frost | Yes |
| HFC free | Yes |
| Climate class | ST/N/ST |
| Performance | |
| Energy rating | F |
| Energy consumption (kW/24h) | 1.07 |
| Voltage (V-AC) | 220~240 |
| Frequency (Hz) | 50 |
| Noise level (dB) | 40 |
| Refrigerant | R600a |
| Gross total volume (lt) | 532 |
| Net refrigerant volume (lt) | 347 |
| Net freezing volume (lt) | 185 |
| Freezing capacity (kg/24hr) | 14 |
| Dimensions and Weight | |
| Gross weight | 98 |
| Product dimensions (HxWxDmm) | 1770x905x670 |
| Packed dimension (HxWxDmm) | 1862x972x710 |
| Colour | |
| Colour | Inox |

Integrated Refrigeration BIFF7030FF BIFF5050FF

| Features | | |
|-------------------------------|----------------|----------------|
| Type | Fridge Freezer | Fridge Freezer |
| Fit type | Integrated | Integrated |
| Internal light | Yes | Yes |
| Adjustable feet | No | No |
| Reversible doors | Yes | Yes |
| Star rating | 4 | 4 |
| Auto defrost fridge | Yes | Yes |
| Frost free | Yes | Yes |
| Total no frost | - | - |
| HFC free | Yes | Yes |
| Climate class | T/N | T/N |
| Performance | | |
| Energy rating | F | F |
| Energy consumption (kW/annum) | 273 | 290 |
| Voltage (V-AC) | 220~240 | 220~240 |
| Frequency (Hz) | 50 | 50 |
| Refrigerant | R600a | R600a |
| Total volume (lt) | 242 | 229 |
| Net refrigerant volume (lt) | 180 | 145 |
| Net freezing volume (lt) | 68 | 85 |
| Freezing capacity (kg/24hr) | 3.3 | 3.9 |
| Dimensions and Weight | | |
| Gross weight | 53 | 56.5 |
| Product dimensions (HxWxDmm) | 1770x540x545 | 1770x540x545 |
| Packed dimension (HxWxDmm) | 1834x584x577 | 1834x584x577 |
| Colour | | |
| Colour | White | |

Cookers DELTA50W FUSION50W NAPIER60EW STUDIO2 LEGACY50GSLF MAXI60GSF

| Features | | | | | | |
|------------------------------|-------------|-------------|-------------|-------------|-------------|-------------|
| Fuel type | Electric | Electric | Electric | Gas | Gas | Gas |
| Pan supports | - | - | - | Enamel | Enamel | Enamel |
| Lid | - | - | - | - | Yes | - |
| Storage compartments | Yes | - | No | No | Yes | - |
| Hob | | | | | | |
| Type | Hotplate | Hotplate | Hotplate | Burner | Burner | Burner |
| Rear left hotplate (kW) | 1.5 | 1.5 | 1.5 | - | - | - |
| Front left hotplate (kW) | 1 | 1 | 1.5 | - | - | - |
| Front right hotplate (kW) | 2 | 2 | 2 | - | - | - |
| Rear right hotplate (kW) | 1 | 1 | 1 | - | - | - |
| Number of Auxiliary Burners | | | | 1 | 1 | 1 |
| Number of Rapid Burners | | | | 1 | 1 | 1 |
| Number of Semi-Rapid Burners | | | | 2 | 2 | 2 |
| Controls | | | | | | |
| Button ignition | - | No | - | Yes | Yes | Yes |
| Double glazed door | Yes | Yes | Yes | Yes | Yes | Yes |
| LPG conversion kit | - | - | - | Yes | Yes | Yes |
| Main Cavity Capacity | 55 | 55 | 72 | 51 | 49 | 63 |
| Top Cavity Capacity | | 31 | | | | |
| Performance | | | | | | |
| Energy rating | A | A | A | A | A | A |
| Energy consumption (kW/24hr) | 17.52 | 17.52 | 19.20 | - | - | - |
| Dimensions and Weight | | | | | | |
| Product dimensions (HxWxDmm) | 900x500x600 | 900x500x600 | 900x500x600 | 900x500x600 | 900x500x500 | 900x600x600 |
| Packed dimensions (HxWxDmm) | 974x545x684 | 974x545x684 | 977x645x684 | 974x545x684 | 967x545x684 | 977x645x684 |
| Net weight (kg) | 43 | 43 | 46 | 37 | 36 | 43 |
| Gross weight (kg) | 46.2 | 46 | 49.5 | 40 | 39 | 46.5 |
| Colour | | | | | | |
| Colour | White | White | White | White | White | White |

Statesman operate a policy of continual improvement and development. We therefore reserve the right to change/alter the specification and appearance without prior notice.

| Cookers | EDC50W/B/S | EDC60W2/B2/S2 | TDC60X | GTL50W | GDL60W2 |
|-------------------------------------|-------------------|----------------------|---------------|---------------|----------------|
| Features | | | | | |
| Fuel type | Electric | Electric | Electric | Gas | Gas |
| Pan supports | - | - | - | Enamel | Enamel |
| Lid | - | - | - | Yes | Yes |
| Storage compartments | - | - | - | - | - |
| Hob | | | | | |
| Type | Heat Zone | Heat Zone | Heat Zone | Burner | Burner |
| Rear left hotplate (kW) | 1.2 | 1.2 | 1.2 | - | - |
| Front left hotplate (kW) | 1.8 | 1.8 | 1.8 | - | - |
| Front right hotplate (kW) | 1.2 | 1.2 | 1.2 | - | - |
| Rear right hotplate (kW) | 1.8 | 1.8 | 1.8 | - | - |
| Number of Auxiliary Burners | | | | 1 | 1 |
| Number of Rapid Burners | | | | 1 | 1 |
| Number of Semi-Rapid Burners | | | | 2 | 2 |
| Controls | | | | | |
| Button ignition | - | - | - | Yes | Yes |
| Removable door | Yes | Yes | Yes | Yes | Yes |
| LPG conversion kit | - | - | - | Yes | Yes |
| Net main oven volume (lt) | 50 | 63 | 63 | 53 | 62 |
| Net main top volume (lt) | 31 | 36 | 36 | 29 | 27 |
| Performance | | | | | |
| Energy rating | A | A | A | A+ | A+ |
| Energy consumption (kW/24hr) | | | | | |
| Main oven | 17.52 | 18.48 | 18.48 | - | 1.35 |
| Top oven | 17.28 | 17.76 | 17.76 | - | - |
| Dimensions and Weight | | | | | |
| Product dimensions (HxWxDmm) | 900x500x600 | 900x600x600 | 900x600x600 | 900x500x600 | 900x600x600 |
| Packed dimensions (HxWxDmm) | 922x555x694 | 980x655x694 | 977x645x684 | 922x555x694 | 980x655x694 |
| Net weight (kg) | 46 | 48.9 | 50.3 | 45.9 | 49.0 |
| Gross weight (kg) | 47.1 | 50.5 | 52.3 | 47.3 | 50.5 |
| Colour | | | | | |
| Colour | White | White, Black, Silver | Inox | White | White |

| Built-In Ovens | BSF60SS/BL/WH | BSM60SS/BL | BDM373SS/BL |
|------------------------------|----------------------------------|---------------------------|---------------------------|
| Features | | | |
| Fuel type | Electric | Electric | Electric |
| Controls type | Manual | Digital | Digital |
| LED panel | - | Yes | Yes |
| Program electronic timer | - | Yes | Yes |
| Light | Yes | Yes | Yes |
| Removable door | Yes | Yes | Yes |
| Easy clean enamel | Yes | Yes | - |
| Catalytic liners | - | - | Yes |
| Defrost | Yes | Yes | Yes |
| Fan oven | Yes | Yes | Yes |
| Fan assisted cooking | - | Yes | Yes |
| Fan assisted grilling | Yes | Yes | Yes |
| Dual grilling | - | Yes | Yes |
| Top oven volume (lt) | - | - | 38 |
| Main oven volume (lt) | - | - | 72 |
| Net oven volume (lt) | 70 | 70 | 110 |
| Performance | | | |
| Energy rating | A | A | A |
| Dimensions and Weight | | | |
| Product dimensions (HxWxDmm) | 595x595x575 | 595x595x575 | 885x595x575 |
| Packed dimensions (HxWxDmm) | 670x648x688 | 670x648x688 | 965x693x718 |
| Net weight (kg) | 32 | 32 | 47.6 |
| Gross weight (kg) | 36 | 36 | 54.6 |
| Colour | | | |
| Colour | Stainless Steel, Black, White | Stainless Steel, Black | Stainless Steel, Black |

Statesman operate a policy of continual improvement and development. We therefore reserve the right to change/alter the specification and appearance without prior notice.

| Hobs | GH60WH | GH61SS | GH60GB | GH75SS |
|--------------------------------|-------------|-----------------|-------------|-----------------|
| Features | | | | |
| Type | Gas | Gas | Gas | Gas |
| Cooking zones | 4 | 4 | 4 | 5 |
| Residual heat indicator | - | - | - | - |
| Control type | Dial | Dial | Dial | Dial |
| Control position | Front | Front | Front | Front |
| Pan supports | Enamel | Cast iron | Cast iron | Cast iron |
| Ignition type | Push Knob | Push Knob | Push Knob | Push Knob |
| Flame failure device | Yes | Yes | Yes | Yes |
| LPG conversion kit | Yes | Yes | Yes | Yes |
| Child lock | - | - | - | - |
| Performance | | | | |
| Voltage | 220~240 | 220~240 | 220~240 | 220~240 |
| Front left rating (kW) | - | - | - | - |
| Front right rating (kW) | - | - | - | - |
| Rear left rating (kW) | - | - | - | - |
| Rear right rating (kW) | - | - | - | - |
| Middle rating (kW) | - | - | - | - |
| Number of Auxiliary Burners | 1 | 1 | 1 | 1 |
| Number of Rapid Burners | 1 | 0 | | 1 |
| Number of Semi-Rapid Burners | 2 | 2 | 2 | 2 |
| Number of Triple Crown Burners | 0 | 1 | | 1 |
| Number of Wok Burners | | 1 | 1 | 1 |
| Dimensions and Weight | | | | |
| Product dimensions (HxWxDmm) | 95x600x510 | 90x594x514 | 102x600x510 | 90x750x510 |
| Packed dimensions (HxWxDmm) | 168x652x562 | 173x672x582 | 180x678x590 | 188x833x598 |
| Aperture dimensions (WxDmm) | 560x480 | 560x490 | 560x490 | 560x490 |
| Colour | | | | |
| Colour | White | Stainless Steel | Black Glass | Stainless Steel |

| Hobs | CHZ460D | CHZ460T | IHZ460 | ESH630WH/SS |
|------------------------------|--------------|-------------|-------------|------------------------|
| Features | | | | |
| Type | Ceramic | Ceramic | Induction | Solid Plate |
| Cooking zones | 4 | 4 | 4 | 4 |
| Residual heat indicator | Yes | Yes | Yes | - |
| Control type | Dial & Touch | Touch | Touch | Dial |
| Control position | Side | Front | Front | Side |
| Pan supports | - | - | - | - |
| Flame failure device | - | - | - | - |
| LPG conversion kit | - | - | - | - |
| Child lock | No | No | Yes | - |
| Programmable timer | No | Yes | Yes | - |
| Performance | | | | |
| Voltage | 220~240 | 220~240 | 220~240 | 220~240 |
| Front left rating (kW) | 1.8 | 1.1/2.2 | 1.8/2.2 | 1.5 |
| Front right rating (kW) | 1.2 | 1.2 | 1.4 | 1 |
| Rear left rating (kW) | 1.2 | 1.2 | 1.4 | 1 |
| Rear right rating (kW) | 1.8 | 1.8 | 1.8 | 2 |
| Middle rating (kW) | - | - | - | - |
| Dimensions and Weight | | | | |
| Product dimensions (HxWxDmm) | 50x590x520 | 50x590x520 | 50x590x520 | 40x580x510 |
| Packed dimensions (HxWxDmm) | 120x660x590 | 115x650x580 | 115x650x580 | 152x640x584 |
| Aperture dimensions (WxDmm) | | | | 560x490 |
| Colour | | | | |
| Colour | Black | Black | Black | Stainless Steel, White |

Statesman operate a policy of continual improvement and development. We therefore reserve the right to change/alter the specification and appearance without prior notice.

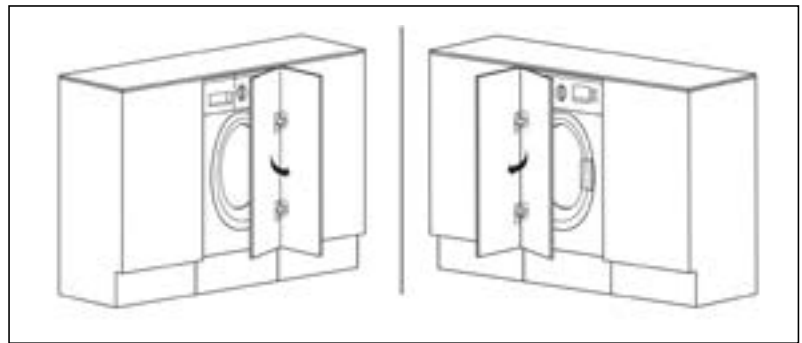
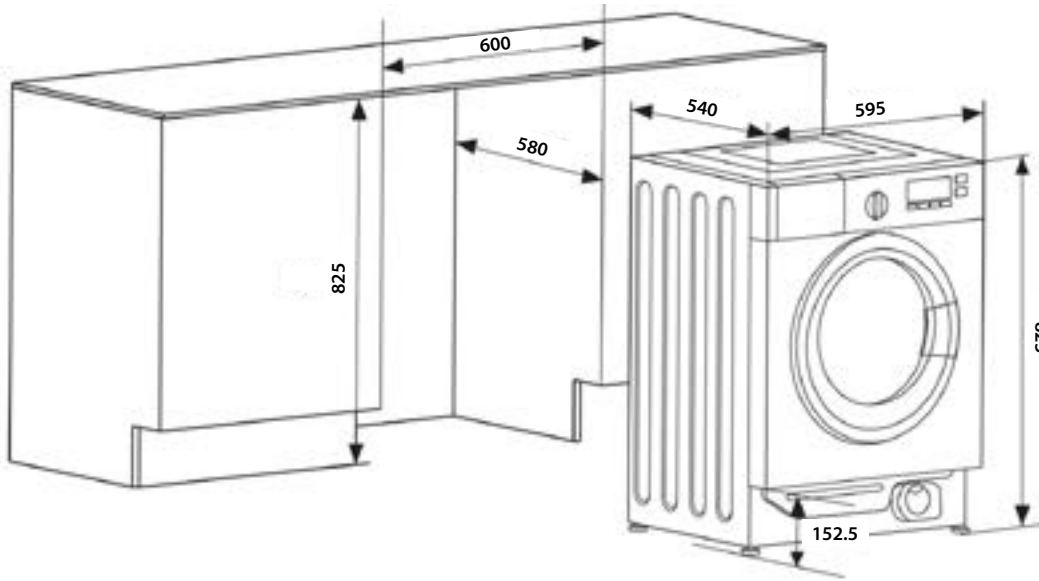
| Hoods | VH60WH/SS | CHM60SS | CGH60GS |
|--|------------------------|-----------------|----------------------|
| Features | | | |
| Type | Visor | Chimney | Chimney curved glass |
| Light | 1 x LED 1.5W | 2 x 1.5W | 2 x LED 1.5W |
| Speed settings | 2 | 3 | 3 |
| Grease filter type | Metal and Aluminium | Aluminium | Aluminium |
| Performance | | | |
| Energy rating | C | B | B |
| Noise level (dB) | 60 | 65 | 65 |
| Air Flow at Maximum Speed in Normal Use (m ³ /hr) | 166 | 333.3 | 336.9 |
| Energy consumption (kW/annum) | 42.9 | 26.3 | 28.6 |
| Dimensions and Weight | | | |
| Product dimensions (HxWxDmm) | 105x600x480 | 569x600x450 | 440x600x480 |
| Packaging dimensions (HxWxDmm) | 540x640x145 | 520x655x245 | 555x660x265 |
| Gross weight (kg) | 6.5 | 7.7 | 10.7 |
| Hose diameter (mm) | 120 | 150 | 150 |
| Colour | | | |
| Colour | White, Stainless Steel | Stainless Steel | Stainless Steel |

| Dishwashers | FD10PWE | FD12PWE | BDW4509 | BDW6014 |
|--------------------------------|-------------------|-------------------|-------------|----------------|
| Features | | | | |
| Type | Freestanding | Freestanding | Integrated | Integrated |
| Place settings | 10 | 12 | 9 | 14 |
| Adjustable basket | Yes | Yes | Yes | Yes |
| Indicator lights | Yes | Yes | Yes | Yes |
| Temperatures (°C) | 45/50/55/60/65/70 | 45/50/55/60/65/70 | 45/50/55/65 | 45/50/55/60/65 |
| Flood protection | Yes | Yes | Yes | Yes |
| Heater protection | Yes | Yes | Yes | Yes |
| Wash cycle indicators | Yes | Yes | Yes | Yes |
| Programmes | | | | |
| Prewash | Yes | Yes | - | - |
| Eco | 45-60°C | 45-60°C | 45-66°C | 45-60°C |
| Intensive | 50-65°C | 50-60°C | 50-65°C | 50-65°C |
| All in one/3-in-1 | 50-70°C | 50-70°C | - | - |
| Normal/Universal | - | - | 45-65°C | 45-65°C |
| Rapid | - | - | 45-50°C | 45-50°C |
| 90 Mins | 60-65°C | 60-65°C | 60-65°C | 60-65°C |
| Glass | 50-65°C | 50-65°C | | |
| Delay Timer Length (Hrs) | 1-24 | 1-24 | 3/6/9 | 3/6/9 |
| Performance | | | | |
| Noise level (db) | 49 | 49 | 49 | 49 |
| Energy consumption (kWh/cycle) | 0.741 | 0.923 | 0.704 | 0.95 |
| Voltage | 230 | 230 | 220-240 | 220-240 |
| Frequency | 50 | 50 | 50 | 50 |
| Energy rating | E | E | E | E |
| Dimensions and Weight | | | | |
| Product dimensions (HxWxDmm) | 845x448x610 | 845x598x610 | 815x448x550 | 815x598x550 |
| Packed dimensions (HxWxDmm) | 890x495x672 | 890x645x672 | 890x495x645 | 890x645x645 |
| Net weight (kg) | 35.5 | 41 | 29 | 32.5 |
| Gross weight (kg) | 40.5 | 46.5 | 34 | 38.5 |
| Colour | | | | |
| Colour | White | White | White | White |

Statesman operate a policy of continual improvement and development. We therefore reserve the right to change/alter the specification and appearance without prior notice.

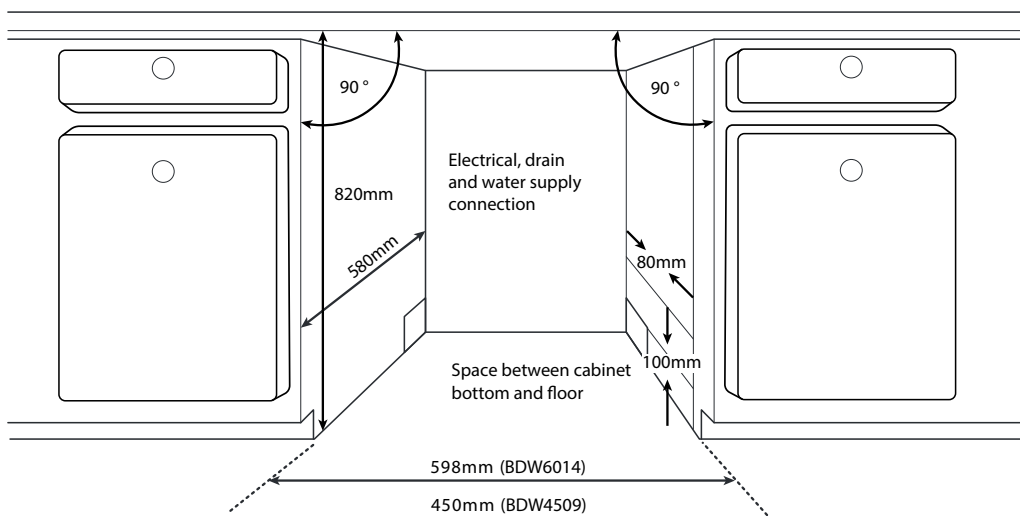
BIW0814
8kg Integrated Washing Machine

BXD0806
8kg/6kg Integrated Washer Dryer



BDW4509
45cm Slimline 9 Place Integrated Dishwasher

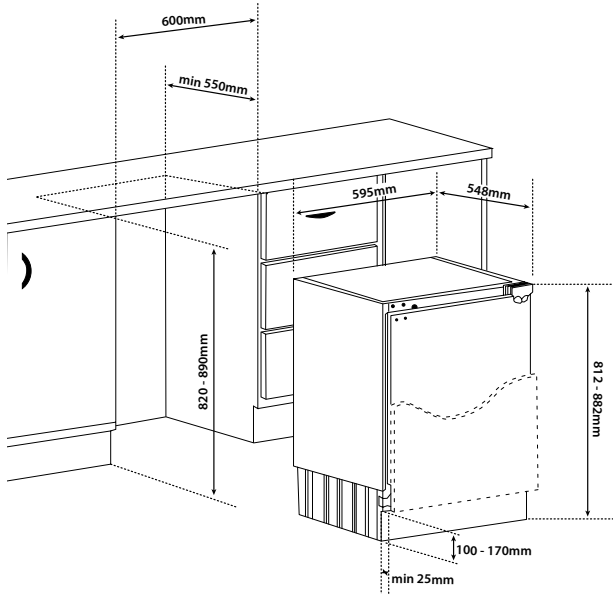
BDW6014
60cm 14 Place Integrated Dishwasher



Statesman operate a policy of continual improvement and development. We therefore reserve the right to change/alter the specification and appearance without prior notice.

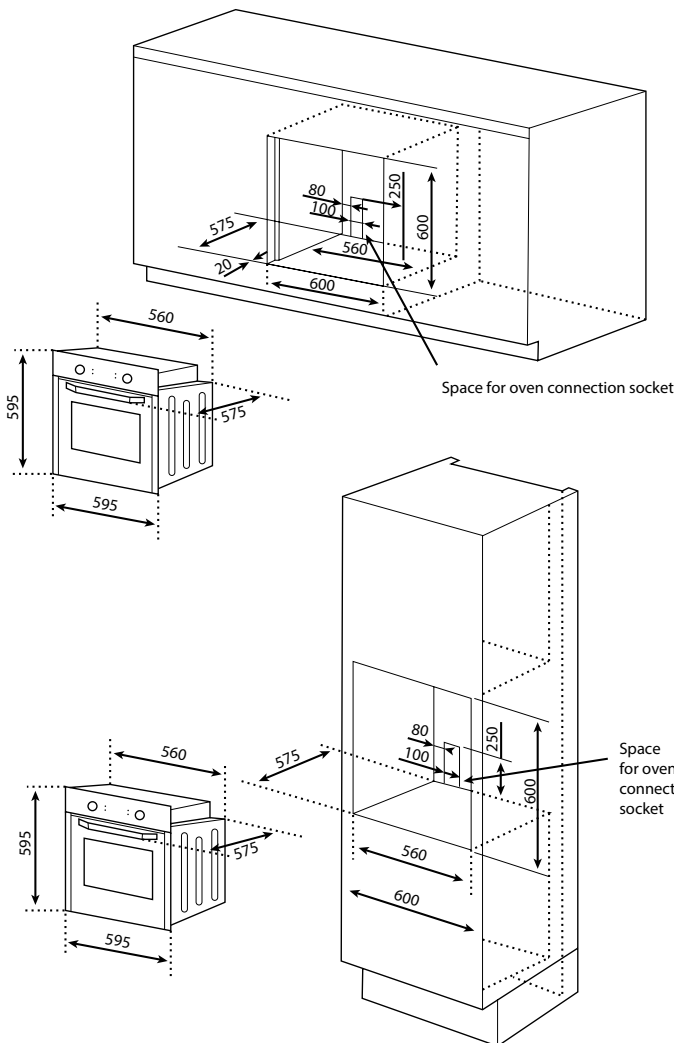
BU60LF4E / BU60FZ4E

Under Counter Refrigeration Units



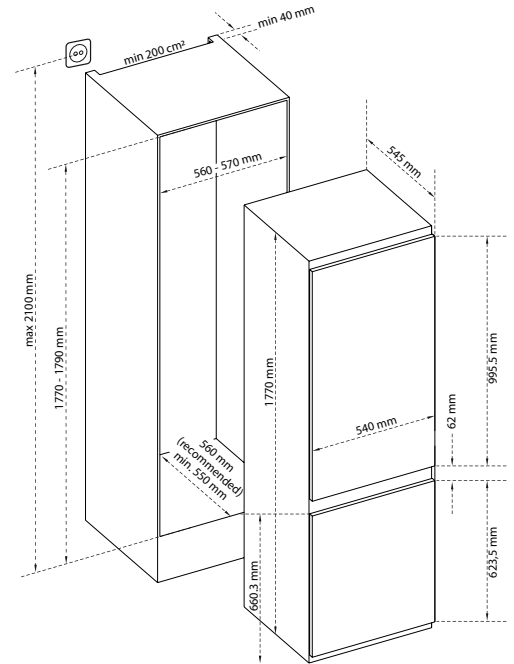
BSF60SS/WH & BSM60SS/WH/BL

Built-In Oven



BIFF7030FF

55cm 70/30 Integrated Fridge Freezer

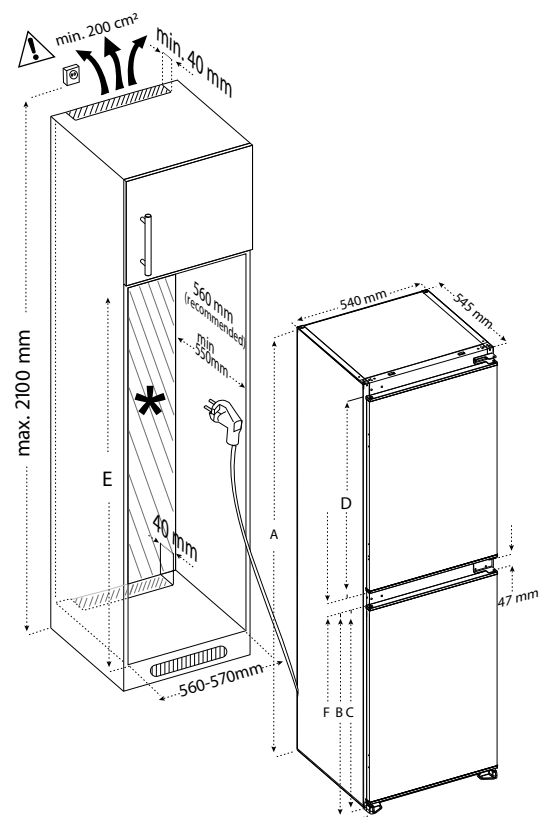


BIFF5050FF

55cm 50/50 Integrated Fridge Freezer

| | |
|--------|-------|
| A (mm) | 1770 |
| B (mm) | 840.5 |
| C (mm) | 802 |

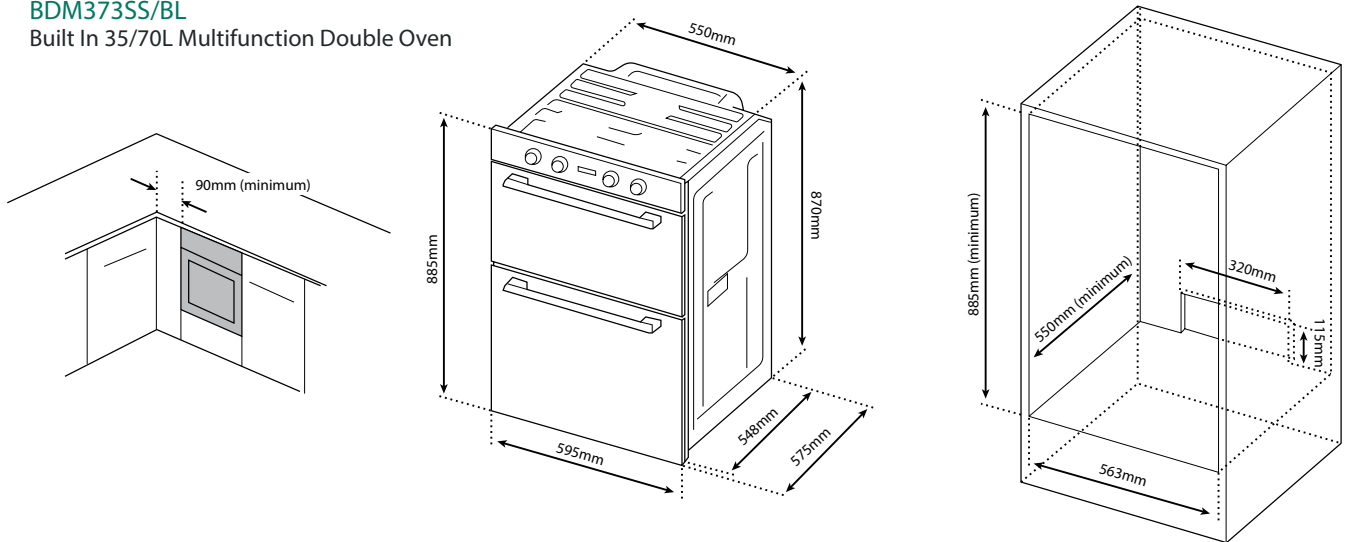
| | |
|--------|-------------|
| D (mm) | 817 |
| E (mm) | 1770 - 1790 |
| F (mm) | 62 |



All measurements are in mm unless otherwise stated

BDM373SS/BL

Built In 35/70L Multifunction Double Oven



CHZ460D

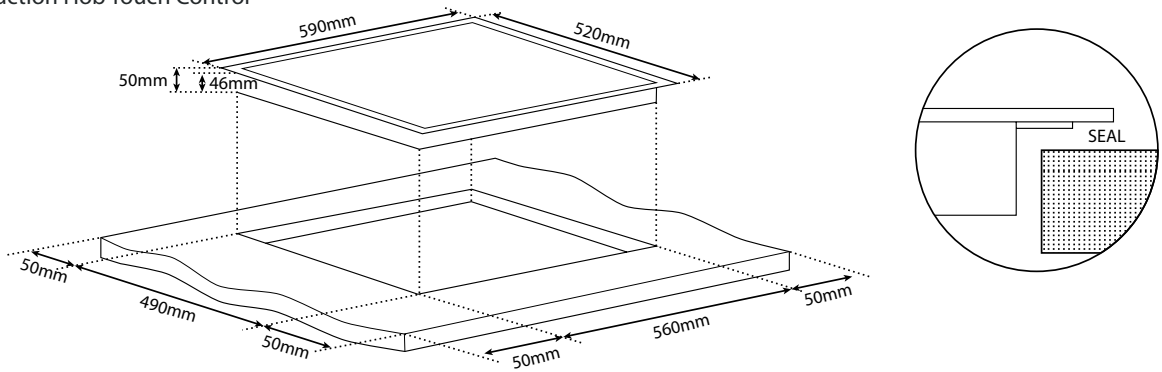
60cm 4 Zone Ceramic Hob with Dial Control

CHZ460T

60cm 4 Zone Ceramic Hob with Touch Control

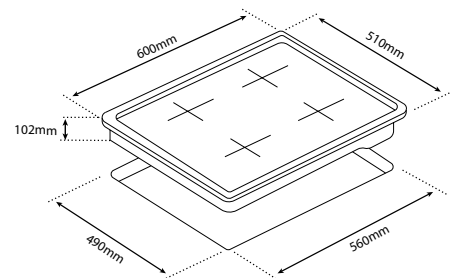
IHZ460

60cm 4 Zone Induction Hob Touch Control



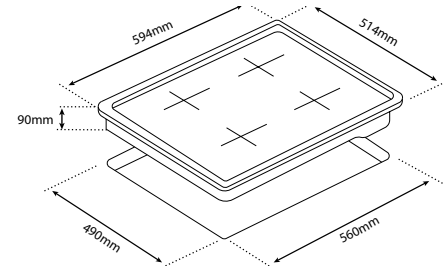
GH60GB

60cm 4 Zone Gas Glass Hob



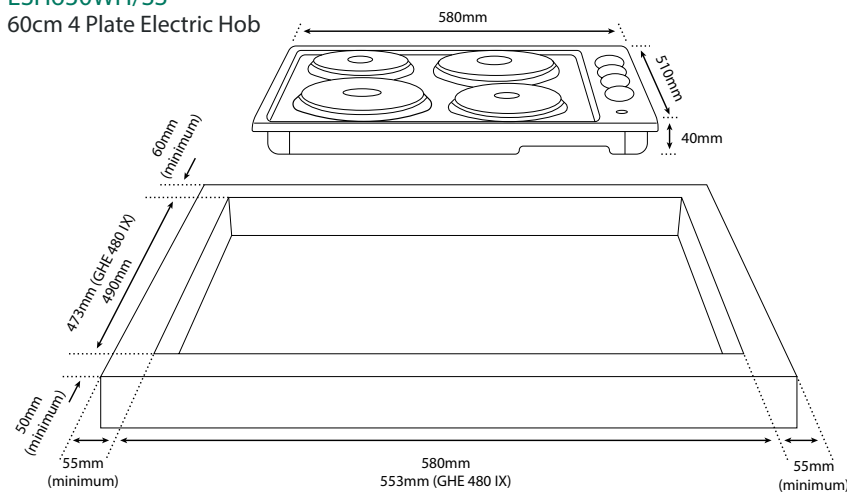
GH61SS

60cm 4 Zone Gas Hob



ESH630WH/SS

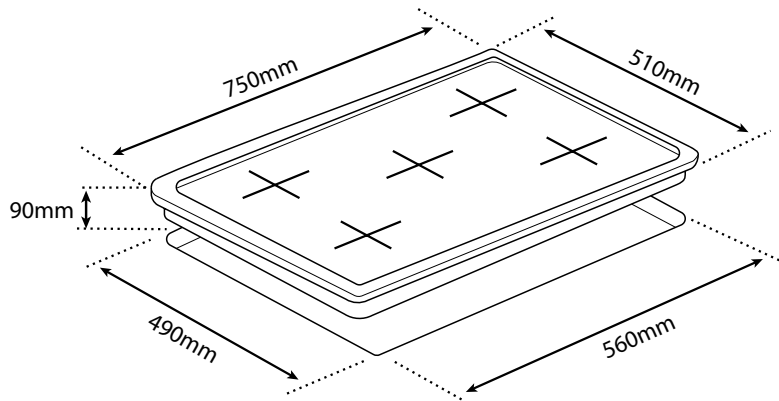
60cm 4 Plate Electric Hob



All measurements are in mm unless otherwise stated

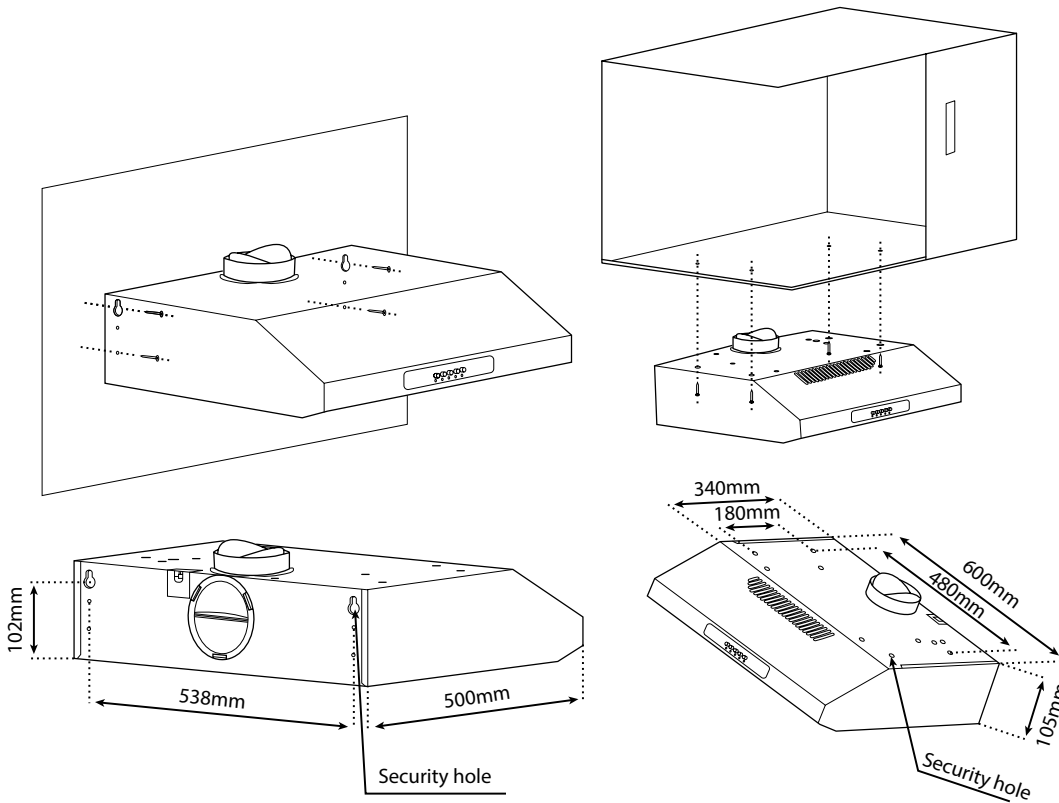
GH75SS/GB

75cm 5 Zone Gas Hob



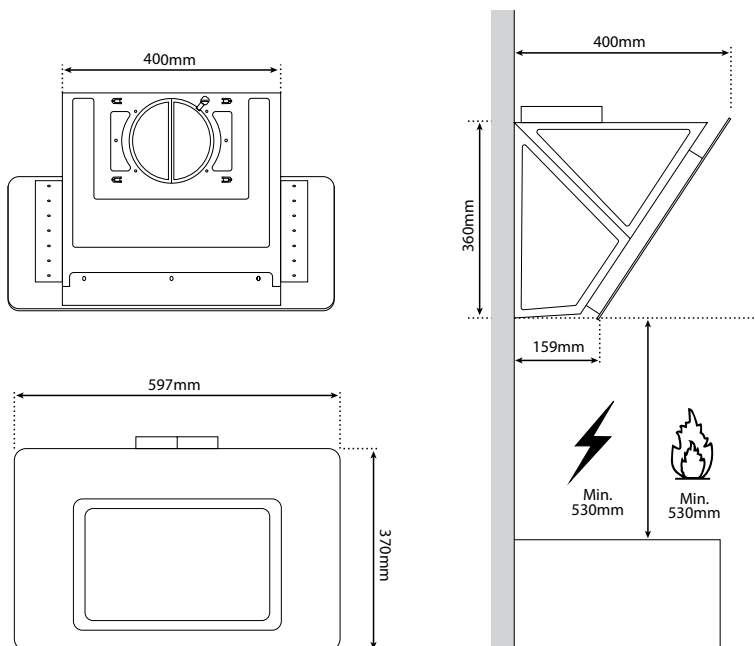
VH60WH/SS

60cm Visor Cooker Hood

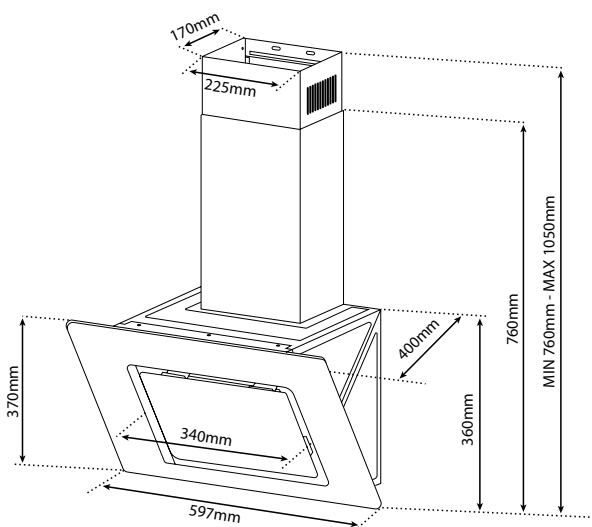
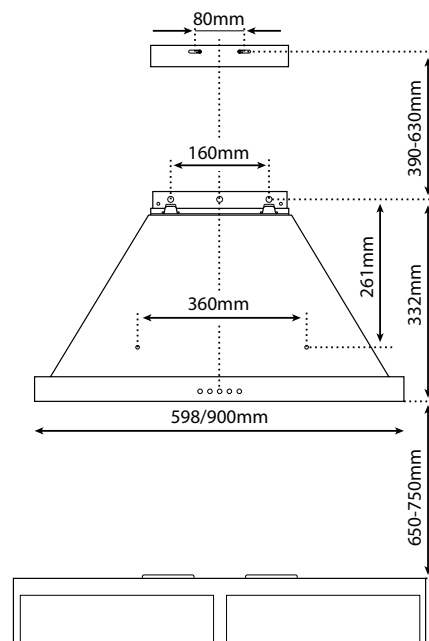


All measurements are in mm unless otherwise stated

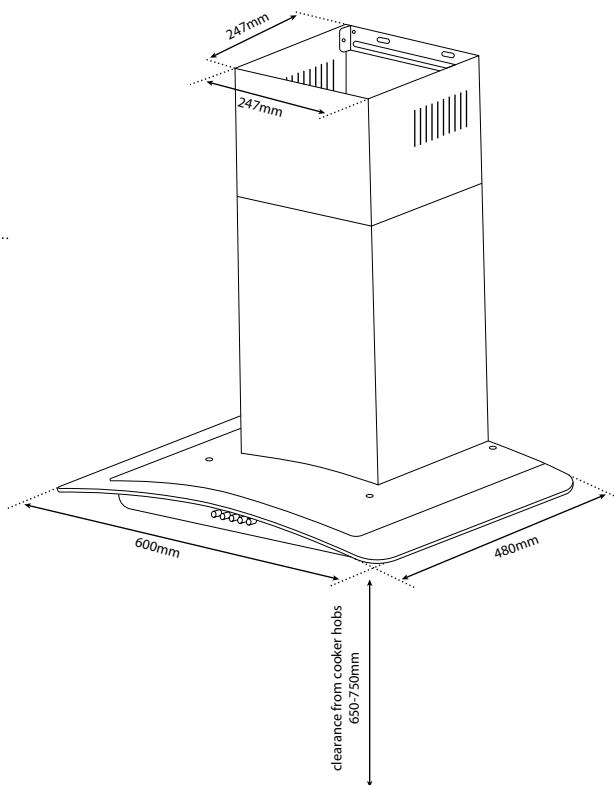
ACH60BL
60cm Angled Glass Chimney Cooker Hood



CHM60SS
60cm Chimney Cooker Hood



CGH60GS
60cm Curved Glass Chimney Cooker Hood



All measurements are in mm unless otherwise stated

CUSTOMER CARE

Reliable • Trustworthy • Dedicated

We are passionate about the service we deliver to our customers and always aim to exceed customer expectations when they contact us for support.

Our experienced UK-based customer service department is open 5 days a week Monday to Friday to ensure that if you have a query, we are on hand to diagnose, troubleshoot and help in any way we can.

Sales, Customer Service & Spare Parts

01473 277508

Our service department is open 5 days a week Monday to Friday from 8.20am to 4.50pm



Register within 30 days to activate your additional **FREE 12 months warranty**

Thank you for choosing a Statesman appliance. To help protect your product, we want to give you an additional 12 months warranty. If you register your appliance within 30 days of purchase, we will activate your additional 12 months warranty, giving you 24 months peace of mind.

This means that in the event of a fault or breakdown, your appliance will be repaired or replaced, and the best part is it won't cost you a penny.

Benefits of registering your guarantee

1. Access to a nationwide network of Statesman approved engineers
2. Call-out, parts and labour included
3. New for old replacement if your appliance can't be fixed
4. Fast and reliable service.

Register today

You can instantly activate your 24 months guarantee by visiting **www.statesmanwarranty.co.uk**. Once your registration has been processed you will receive confirmation of your guarantee.

Register now: **www.statesmanwarranty.co.uk**
0333 577 7235

Guarantee Conditions

We, **STATESMAN**, undertake that if within 24 months, subject to registration within 30 days of the date of purchase this **STATESMAN** appliance or any part thereof is proved to be defective by reason only of faulty workmanship or material, we will at our discretion repair or replace the same **FREE OF CHARGE** for labour, material or carriage on condition that:

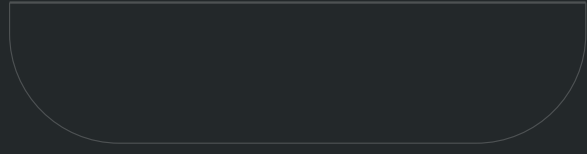
- The appliance has been correctly installed and used only on the electricity or gas supply stated on the rating plate.
- The appliance has been used for domestic purposes only, and in accordance with the manufacturer's operating and maintenance instructions.
- The appliance has not been serviced, maintained, repaired, taken apart or tampered with by any person not authorised by us.
- All service work under this guarantee must be undertaken by an authorised engineer.
- Any appliance or defective part replaced shall become the company's property.
- This guarantee is in addition to your statutory and other legal rights.

Exclusions

This guarantee does not cover:

- Damage or calls resulting from transportation, improper use or neglect, the replacement of any light bulbs or removable parts or glass or plastic
- Door seals
- Appliances found to be in use within a commercial environment, plus those which are the subject of rental agreements, except where prior authorisation is granted by Statesman
- Products of Statesman manufacture which are not marketed by Statesman
- EU Countries - the standard guarantee is applicable but is subject to the owner's responsibility and cost, to ensure the appliance meets the standards set by the country to which the product is taken

Your Guarantee is administered by UK Warranty Ltd, Picktree Court, Picktree Lane, Chester-le-Street, Co Durham, DH3 3SY (Registered in England no 07728040).



38 Bluestem Road, Ransomes Europark, Ipswich, Suffolk, IP3 9RR

sales@statesmanappliances.co.uk

Sales, Customer Service & Spare Parts: 01473 277508

www.statesmanappliances.co.uk