

STATESMAN

kitchen appliances



THE COLLECTION 21/22

Laundry • Refrigeration • Cooking • Dishwashing

www.statesmanappliances.co.uk | 01473 277508



Since 2007 Statesman Appliances has provided big brand quality at competitive pricing; with our carefully developed product range combining user-friendly functionality and reliable build quality.

Our ethos is to provide the independent retailer with a brand you can rely on. With our entire product range being supported by a full 2 year parts and labour guarantee, you can be confident that with Statesman the demands of your customer will always be met.



2Year
Parts & Labour
Guarantee

Contents

Statesman Service	04 - 05
Laundry	06 - 09
Washing Machines	07 - 08
Washer Dryers	08
Tumble Dryers	09
Refrigeration	10 - 19
Freestanding	11 - 18
Integrated	19
Cooking	20 - 33
Freestanding Cookers	21 - 25
Built-In Ovens	26 - 27
Hobs	28 - 31
Cooker Hoods	32 - 33
Dishwashing	34 - 36
Freestanding	35
Integrated	36
Technical	37 - 49
Specifications	38 - 45
Installation Diagrams	46 - 49
Customer Care	50 - 51



At Statesman we pride ourselves on being a market leader in customer service

Statesman operates from a 100,000 square foot distribution centre on a 4.5 acre site in Ipswich, Suffolk.

All stocked lines are available for 48 hour delivery, so you can rest assured that the demands of your customer will always be met.



Key Facts

2 year parts & labour guarantee for domestic use and **1 year commercial warranty*** on all Statesman products.

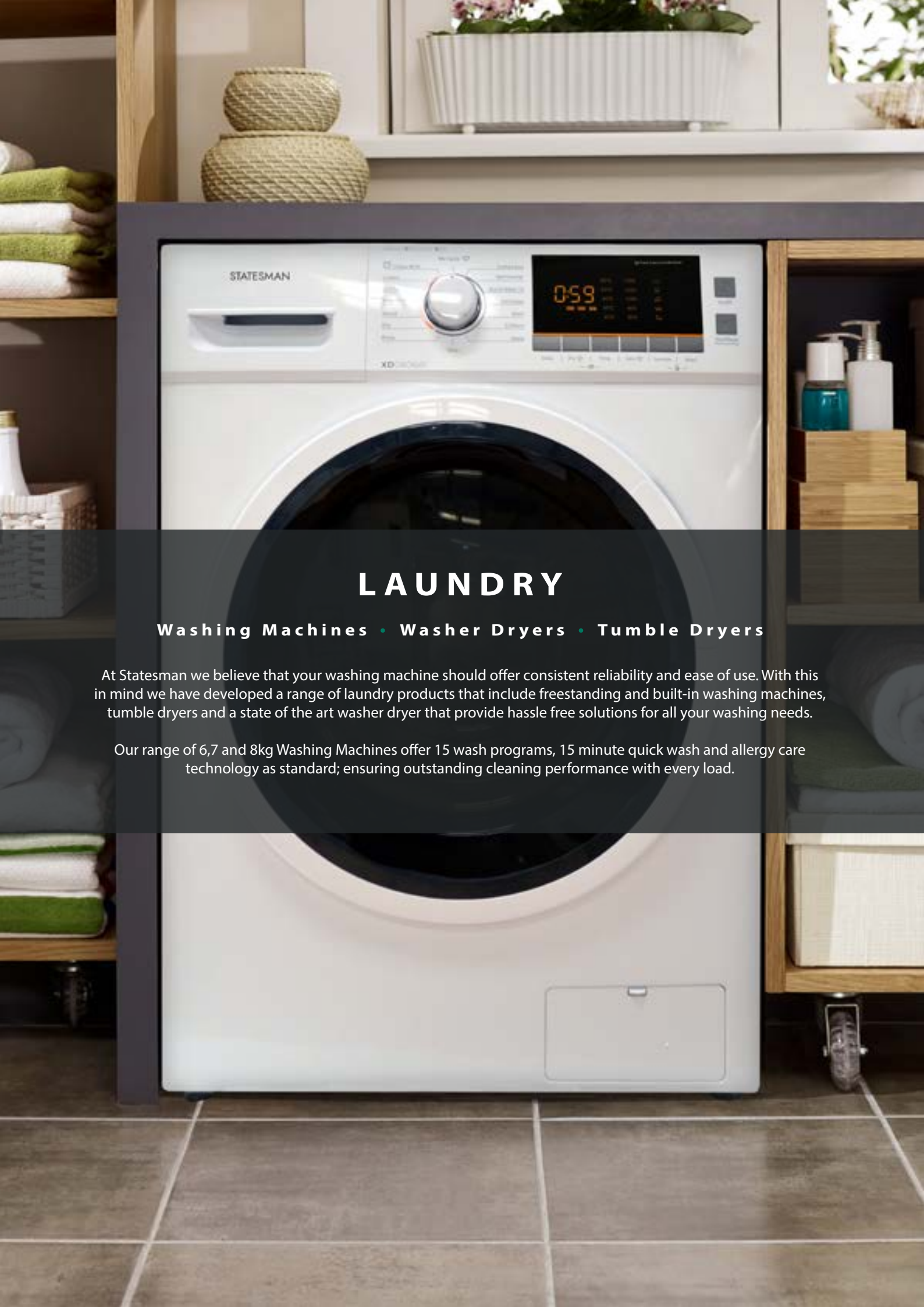
Over 25,000 spare parts are stored in-house and are **available for same day dispatch.**

Many retailers who stock Statesman appliances are also **registered Statesman Service Agents.**

Our **in-house engineers** undertake ongoing quality control across new and existing products.

All of our **manufacturing partners are regularly audited** by our own QC Engineers.

*Domestic use in a commercial environment



LAUNDRY

Washing Machines • Washer Dryers • Tumble Dryers

At Statesman we believe that your washing machine should offer consistent reliability and ease of use. With this in mind we have developed a range of laundry products that include freestanding and built-in washing machines, tumble dryers and a state of the art washer dryer that provide hassle free solutions for all your washing needs.

Our range of 6,7 and 8kg Washing Machines offer 15 wash programs, 15 minute quick wash and allergy care technology as standard; ensuring outstanding cleaning performance with every load.



8kg Integrated Washing Machine 1400rpm

○ White BIW0814

- 8kg Load Capacity
- 1400rpm Spin Speed
- LED Display
- 16 Wash Programs
- 15 Minute Quick Wash
- Pre Wash
- Delay Timer 3-24 Hours
- Child Lock
- Sound Off

Energy Rating: B

Dimensions (mm):
H:825 x W:595 x D:540

Wash Performance: A
Spin Efficiency: B

For installation diagram, please see page 46



6kg Washing Machine 1200rpm

○ White FWM0612E

- 6kg Capacity
- 15 Minute Rapid Wash
- 15 Wash Programs
- Half Load Detection
- Child Lock
- Pre Wash
- Water Level Control

Energy Rating: D*

Dimensions (mm):
H:845 x W:597 x D:497

Wash Performance: A
Spin Efficiency: B

*new rating to meet updated energy labelling regulations for 2021. Previous rating A+++



7kg Washing Machine 1400rpm

○ White FWM0714E ● Silver FWM0714SE

- 7kg Capacity
- 15 Minute Rapid Wash
- 15 Wash Programs
- Half Load Detection
- Delay Timer up to 23 Hours
- Child Lock
- LED Display
- Water Level Control



Energy Rating: D*

Dimensions (mm):
H:845 x W:597 x D:527

Wash Performance: A
Spin Efficiency: B

*new rating to meet updated energy labelling regulations for 2021. Previous rating A+++



8kg Washing Machine 1400rpm

○ White FWM0814E

- 8kg Capacity
- **Inverter Motor**
- 15 Minute Rapid Wash
- 15 Wash Programs
- Half Load Detection
- Delay Timer Up to 23 Hours
- Child Lock
- LED Display
- Water Level Control
- **10 Year Guarantee* on Motor**

Energy Rating: C*

Dimensions (mm):
H:845 x W:597 x D:557

Wash Performance: A
Spin Efficiency: B

*new rating to meet updated energy labelling regulations for 2021. Previous rating A+++



8kg/6kg Washer Dryer 1400rpm

○ White XD0806WE

- 8kg Wash Capacity
- 6kg Dry Capacity
- **My Cycle**
- **Baby Care**
- 1400rpm Spin Speed
- 16 Wash Programs
- 4 Dry Programs
- 15 Minute Quick Wash
- Pre Wash
- LED Display

Energy Rating (Wash Only): B*

Energy Rating (Wash and Dry): E*

Dimensions (mm):
H:850 x W:595 x D:470

*new rating to meet updated energy labelling regulations for 2021. Previous rating A



8kg/6kg Integrated Washer Dryer 1400rpm

○ White BXD0806

- 8kg Wash Capacity
- 6kg Dry Capacity
- Add Garment Function
- **My Cycle**
- **Baby Care**
- 1400rpm Spin Speed
- 16 Wash Programs
- 4 Dry Programs
- 15 Minute Quick Wash
- Pre Wash
- LED Display

Energy Rating (Wash Only): B

Energy Rating (Wash and Dry): E

Dimensions (mm):
H:825 x W:595 x D:540

For installation diagram, please see page 46

*10 year guarantee is available on inverter motors only. All other parts are covered by our standard Statesman 2 year guarantee only.



7kg Vented Tumble Dryer

○ White TVM07W

- 7kg Drying Capacity
- Drying Sensor
- 16 Drying Programs
- Child Lock
- LED Display
- Safety Thermostat Heater
- 3 Dryness Levels
- Safety Reset
- Anti-Crease Function

Energy Rating: C

Dimensions (mm):
H:840 x W:595 x D:550



8kg Condenser Tumble Dryer

○ White TCM08W

- 8kg Load Capacity
- Heat Function: Low/High
- 12 Sensor Dry Programs
- LED Display
- Reduced Ironing Function
- Time Remaining Indicator
- 24 Hour Delay Timer
- Tank Full Indicator
- Clean Filter Indicator
- Child Lock
- Reverse Action Drum

Energy Rating: B

Dimensions (mm):
H:845 x W:595 x D:615



8kg Heat Pump Tumble Dryer

○ White THP08W

- Heat Pump Technology
- 8kg Load Capacity
- Heat Function: Low/High
- 16 Sensor Dry Programs
- LED Display
- Reduced Ironing Function
- Time Remaining Indicator
- 24 Hour Delay Timer
- Tank Full Indicator
- Clean Filter Indicator
- Child Lock
- Reverse Action Drum

Energy Rating: A++

Dimensions (mm):
H:845 x W:595 x D:650



REFRIGERATION

Freestanding • Integrated

The Statesman refrigeration range includes both freestanding and integrated models that will suit a variety of kitchen styles, with our under counter models coming in a range of colours to offer a great choice of stylish space saving solutions for any kitchen environment.

All of our refrigeration models meet the latest energy rating standards, meaning they consume far less energy than your old fridge and freezers and will save you plenty of money on your energy bills.



55cm Under Counter Fridge with 4* Ice Box

○ White R155W ● Black R155B ● Silver R155S

- 4 Star Freezer Compartment
- 1 Adjustable Glass Shelf
- Large Salad Drawer
- Internal Light
- Reversible Door
- Metal Back

Dimensions (mm):

H:845 x W:553 x D:574

Net Fridge Capacity: 97 Litres

Net Freezer Capacity: 16 Litres

Energy Rating: F*

*new rating to meet updated energy labelling regulations for 2021. Previous rating A++



55cm Under Counter Larder Fridge

○ White L255W ● Black L255B ● Silver L255S

- 2 Adjustable Glass Shelves
- Large Salad Drawer
- Internal Light
- Reversible Door
- Adjustable Feet
- Metal Back

Dimensions (mm):

H:845 x W:553 x D:574

Net Fridge Capacity: 133 Litres

Energy Rating: F*

*new rating to meet updated energy labelling regulations for 2021. Previous rating A++



55cm Under Counter Freezer

○ White U355W ● Black U355B ● Silver U355S

- 4 Star Freezer
- 3 Large Storage Drawers
- Reversible Door
- Adjustable Feet
- Metal Back

Dimensions (mm):

H:845 x W:553 x D:574

Net Freezer Capacity: 86 Litres

Energy Rating: F*

*new rating to meet updated energy labelling regulations for 2021. Previous rating A++





55cm Tall Larder Fridge

○ White TL235LWE

- 3 Adjustable Glass Shelves
- Reversible Door
- Large Salad Drawer
- Internal Light
- Adjustable Feet
- Full Metal Back



Energy Rating: F*

Dimensions (mm):

H:1420 x W:550 x D:550

Net Fridge Capacity: 235 Litres

*new rating to meet updated energy labelling regulations for 2021. Previous rating A+



60cm Tall Larder Fridge

○ White TL335LWE

- 5 Adjustable Glass Shelves
- Reversible Door
- Large Salad Drawer
- Internal Light
- Adjustable Feet
- Full Metal Back



Energy Rating: F*

Dimensions (mm):

H:1700 x W:600 x D:600

Net Fridge Capacity: 335 Litres

*new rating to meet updated energy labelling regulations for 2021. Previous rating A+



55cm Tall Freezer

○ White TF160LWE

- 2 Shelves with Flap Closures (Top/Bottom)
- 3 Clear Freezer Drawers
- Reversible Door
- Adjustable Feet
- Full Metal Back



Energy Rating: F*

Dimensions (mm):

H:1420 x W:550 x D:550

Net Freezer Capacity: 157 Litres

*new rating to meet updated energy labelling regulations for 2021. Previous rating A+



60cm Tall Freezer

○ White TF170LWE

- Metal Back
- 7 Clear Freezer Drawers
- Reversible Door
- Adjustable Feet
- 4 Star Freezer
- Full Metal Back



Energy Rating: F*

Dimensions (mm):

H:1700 x W:600 x D:600

Net Freezer Capacity: 225 Litres

**new rating to meet updated energy labelling regulations for 2021. Previous rating A+*



Alpine 50cm 50/50 Fridge Freezer

○ White F1350APWE

- 2 Adjustable Glass Shelves
- Large Salad Drawer
- Internal Light
- 3 Clear Freezer Drawers
- Reversible Doors
- Adjustable Feet
- Full Metal Back



Energy Rating: F*

Dimensions (mm):

H:1225 x W:500 x D:540

Net Fridge Capacity: 90 Litres

Net Freezer Capacity: 45 Litres

**new rating to meet updated energy labelling regulations for 2021. Previous rating A+*



50cm 80/20 Fridge Freezer

○ White F1230APWE

- 2 Adjustable Glass Shelves
- Large Salad Drawer
- Egg Tray
- In Door Bottle Storage
- Internal Fridge and Freezer Lights



- 1 Clear Freezer Shelf
- Reversible Doors
- Adjustable Feet
- Full Metal Back

Energy Rating: F*

Dimensions (mm):

H:1230 x W:500 x D:580

Net Fridge Capacity: 115 Litres

Net Freezer Capacity: 40 Litres

**new rating to meet updated energy labelling regulations for 2021. Previous rating A+*



50cm 60/40 Fridge Freezer Low Frost

○ **White** LF1418W

- 2 Adjustable Glass Shelves
- Large Salad Drawer
- Internal Light
- 3 Clear Freezer Drawers
- Reversible Doors
- Adjustable Feet
- Full Metal Back



Energy Rating: F

Dimensions (mm):
H:1418 x W:500 x D:540

Net Fridge Capacity: 118 Litres
Net Freezer Capacity: 52 Litres



Cambrian

54cm 50/50 Fridge Freezer Low Frost

○ **White** F1654APWE ● **Silver** F1654APSE

- **Low Frost Technology**
- 2 Adjustable Glass Shelves
- Large Salad Drawer
- Internal Light
- 4 Clear Freezer Drawers
- Reversible Doors
- Adjustable Feet
- Full Metal Back



Energy Rating: F*

Dimensions (mm):
H:1660 x W:540 x D:595

Net Fridge Capacity: 142 Litres
Net Freezer Capacity: 109 Litres

*new rating to meet updated energy labelling regulations for 2021. Previous rating A+



Pennine

50cm 50/50 Fridge Freezer Frost Free

○ White FF1525APWE ● Silver FF1525APSE

- Frost Free
- 2 Adjustable Glass Shelves
- Clear Salad Crisper
- Internal Light
- 3 Clear Freezer Drawers
- Reversible Doors
- Adjustable Feet
- Full Metal Back

Energy Rating: F*

Dimensions (mm):

H:1525 x W:501 x D:560

Net Fridge Capacity: 119 Litres

Net Freezer Capacity: 53 Litres

*new rating to meet updated energy labelling regulations for 2021. Previous rating A+



Arctica

55cm 50/50 Fridge Freezer Frost Free

○ White FF2310APWE

- Frost Free
- 2 Adjustable Glass Shelves
- Clear Salad Crisper
- Internal Light
- 4 Clear Freezer Drawers
- Reversible Doors
- Adjustable Feet
- Full Metal Back

Energy Rating: F*

Dimensions (mm):

H:1770 x W:550 x D:580

Net Fridge Capacity: 165 Litres

Net Freezer Capacity: 66 Litres

*new rating to meet updated energy labelling regulations for 2021. Previous rating A+





ArcticaX

55cm 50/50 Frost Free Fridge Freezer with Water Dispenser

● **Inox** FF1755X

- Frost Free
- Water Dispenser
- Inox Finish
- 2 x Adjustable Safety Glass Shelves
- Clear Salad Crisper with Glass Cover
- Internal Light
- 4 Clear, Robust Freezer Drawers
- Reversible Doors
- Adjustable Feet
- Full Metal Back

Energy Rating: F*

Dimensions (mm):

H:1770 x W:550 x D:580

Net Fridge Capacity: 165 Litres

Net Freezer Capacity: 66 Litres

*new rating to meet updated energy labelling regulations for 2021. Previous rating A+



Nevis

60cm 60/40 Fridge Freezer Total No Frost

○ **White** TNF1860WE ● **Inox** TNF1860XE

- **Total No Frost**
- **LED Door Display**
- **Advanced Sensor Technology**
- 3 Control Modes: Eco, Holiday, Super Freeze
- Door Alarm
- 3 Glass Shelves
- 1 Crystal Salad Crisper Drawer with Glass Cover
- 1 Fresh Converter Drawer
- 3 Clear Freezer Drawers
- Internal LED Light
- Reversible Doors
- Adjustable Feet
- Full Metal Back

Energy Rating: F*

Dimensions (mm):

H:1850 x W:600 x D:685

Net Fridge Capacity: 199 Litres

Net Freezer Capacity: 97 Litres

*new rating to meet updated energy labelling regulations for 2021. Previous rating A+





American Side-By-Side Fridge Freezer Total No Frost

● **Inox** SBS177X

- **Total No Frost**
- 4 Star Freezer Rating
- Door Alarm
- 4 Fridge Shelves
- 1 Crystal Salad Crisper Drawer with Glass Cover
- 4 Freezer Shelves
- 1 Clear Freezer Drawers
- Internal LED Light
- Reversible Doors
- Adjustable Feet
- Full Metal Back

Energy Rating: F

Dimensions (mm):

H:1770 x W:905 x D:670

Net Fridge Capacity: 347 Litres

Net Freezer Capacity: 185 Litres





55cm 100 Litre Chest Freezer

○ White CHF102

- Electronic Control
- Front Water Disposal Device
- Power Indicator Function
- Super Freezing Function
- 1 x Ice Scoop
- 1 x Wire Basket
- Compressor Switch Off Function
- Freezing Capacity (Kg//24h): 6
- Suitable for Outbuildings
- Refrigerant: R600a

Energy Rating: F*

Dimensions (mm):

H:845 x W:545 x D:545

Net Freezer Capacity: 98 Litres

*new rating to meet updated energy labelling regulations for 2021. Previous rating A+



71cm 142 Litre Chest Freezer

○ White CHF151

- Electronic Control
- Front Water Disposal Device
- Power Indicator Function
- Super Freezing Function
- 1 x Ice Scoop
- 1 x Wire Basket
- Compressor Switch Off Function
- Freezing Capacity (Kg//24h): 7
- Suitable for Outbuildings
- Refrigerant: R600a

Energy Rating: F*

Dimensions (mm):

H:845 x W:705 x D:545

Net Freezer Capacity: 142 Litres

*new rating to meet updated energy labelling regulations for 2021. Previous rating A+



91cm 198 Litre Chest Freezer

○ White CHF200

- Electronic Control
- Front Water Disposal Device
- Power Indicator Function
- Super Freezing Function
- 1 x Ice Scoop
- 1 x Wire Basket
- Compressor Switch Off Function
- Freezing Capacity (Kg//24h): 10
- Suitable for Outbuildings
- Refrigerant: R600a

Energy Rating: F*

Dimensions (mm):

H:845 x W:905 x D:545

Net Freezer Capacity: 198 Litres

*new rating to meet updated energy labelling regulations for 2021. Previous rating A+





Total No Frost 55cm 70/30 Integrated Fridge Freezer

○ White BIFF7030TNFE

- Electronic Touch Control Panel
- 3 Glass Shelves
- 1 Chiller Drawer with Glass Cover
- Hidden Beer Bottle Storage Space
- 2 Large Freezer Drawers
- Sliding Freezer Tray
- Internal LED Light
- Full Metal Back
- Reversible Doors
- 90 Degree Opening Doors
- Adjustable Feet



Energy Rating: F*

Dimensions (mm):

H:1770 x W:540 x D:545

Net Fridge Capacity: 182 Litres

Net Freezer Capacity: 59 Litres

For installation diagram, please see page 47

*new rating to meet updated energy labelling regulations for 2021. Previous rating A+



60cm Under Counter Larder Fridge Integrated

○ White BU60LF4E

- 2 Adjustable Glass Shelves
- Recessed Salad Crisper
- Internal Light
- Reversible Door
- Adjustable Feet

Dimensions (mm):

H:818 x W:598 x D:548

Net Fridge Capacity: 133 Litres

Energy Rating: F*

For installation diagram, please see page 47

*new rating to meet updated energy labelling regulations for 2021. Previous rating A+



60cm Under Counter Freezer Integrated

○ White BU60FZ4E

- 4 Star Freezer
- 3 Large Storage Drawers
- Reversible Door
- Adjustable Feet

Dimensions (mm):

H:818 x W:598 x D:548

Net Freezer Capacity: 95 Litres

Energy Rating: F*

For installation diagram, please see page 47

*new rating to meet updated energy labelling regulations for 2021. Previous rating A+

COOKING

Freestanding • Built-In • Hobs • Hoods

Statesman offers a variety of freestanding and built-in cooking appliances to complement any kitchen design.

The range offers versatility and functionality to cater for all kitchen environments, with user friendly features on all of our cookers, hobs and hoods helping to make your time in the kitchen that much more enjoyable.

Our range of hobs and hoods co-ordinate perfectly to deliver optimum style and quality, and with a selection of colour variations on a number of our cooking appliances you can be sure that Statesman has the solution for all of your kitchen needs.





50cm Single Cavity Electric Cooker

○ White DELTA50W

- Conventional Oven
- Integrated Grill
- Double Glazed Door
- 2 Oven Shelves and Deep Oven Tray with Chrome Grid
- Grill Pan, Rack and Handle Set
- 4 Solid Hotplates (1 Rapid Hotplate)
- Closed Door Grilling
- Removable Door
- Usable Storage Compartment
- Adjustable Height

Energy Rating: A

Dimensions (mm):

H:900 x W:500 x D:600

Net Oven Capacity: 53 Litres



50cm Twin Cavity Electric Cooker

○ White FUSION50W

- Conventional Main Oven
- Separate Grill
- Double Glazed Doors
- 2 Oven Shelves and Deep Oven Tray with Chrome Grid
- Grill Pan, Rack and Handle Set
- 4 Solid Hotplates (1 Rapid Hotplate)
- Adjustable Height

Energy Rating: A

Dimensions (mm):

H:850 x W:500 x D:600

Net Oven Capacity: 41 Litres

Net Grill Capacity: 12 Litres



60cm Single Cavity Electric Cooker

○ White NAPIER60EW

- Conventional Oven
- Intergrated Grill
- Double Glazed Door
- 1 Oven Shelf and 1 Tray
- Grill Pan, Rack and Handle Set
- 4 Solid Hotplates
- Closed Door Grilling
- Removable Door
- Usable Storage Compartment
- Adjustable Height
- Pre Fitted Cable

Energy Rating: A

Dimensions (mm):

H:900 x W:600 x D:600

Net Oven Capacity: 61 Litres



50cm Single Cavity Gas Cooker

○ White STUDIO2

- Conventional Gas Oven
- Intergrated Grill
- Double Glazed Door
- 1 Oven Shelf and 1 Tray
- Grill Pan, Rack and Handle Set
- Ignition Button
- 4 Gas Burners
- Includes LPG Conversion Kit
- Flame Failure Device
- Enamel Pan Supports
- Easy Clean

Energy Rating: A

Dimensions (mm):

H:900 x W:500 x D:600

Net Oven Capacity: 53 Litres



50cm Enamel Lid Single Cavity Gas Cooker

○ White LEGACY50GSLF

- Conventional Gas Oven
- Intergrated Grill
- Enamel Lid
- Double Glazed Door
- 1 Oven Shelf and 2 Trays
- Grill Pan, Rack and Handle Set
- Ignition Button
- 4 Gas Burners
- Includes LPG Conversion Kit
- Flame Failure Device
- Usable Storage Compartment
- Enamel Pan Supports
- Easy Clean

Energy Rating: A

Dimensions (mm):

H:900 x W:500 x D:500

Net Oven Capacity: 51 Litres





60cm Single Cavity Gas Cooker

○ White MAXI60GSF

- Conventional Gas Oven
- Intergrated Grill
- Double Glazed Door
- 1 Oven Shelf and 1 Tray
- Grill Pan, Rack and Handle Set
- 4 Gas Burners
- Removable Door
- Includes LPG Conversion Kit
- Flame Failure Device
- Usable Storage Compartment
- Enamel Pan Supports
- Easy Clean

Energy Rating: A

Dimensions (mm):

H:900 x W:600 x D:600

Net Oven Capacity: 62 Litres



Atlas 50cm Double Oven Electric Cooker

○ White EDC50W ● Black EDC50B ● Silver EDC50S

- Double Oven
- Ceramic Hob
- Fan Assisted Main Oven
- Moulded Enamel Oven Walls
- 2 Chrome Shelves
- 1 Deep Tray with Wired Chrome Grid

- Integrated Grill
- Double Glazed Door
- Adjustable Height
- Pre-Fitted Cable
- 2 Oven Lights



Energy Rating: A

Dimensions (mm):

H:900 x W:500 x D:600

Net Main Oven Capacity: 58 Litres

Net Top Oven Capacity: 48 Litres





Apollo 60cm Double Oven Electric Cooker

○ White EDC60W ● Black EDC60B ● Silver EDC60S

- Double Oven
- Ceramic Hob
- Fan Assisted Main Oven
- Moulded Enamel Oven Walls
- 2 Chrome Shelves
- 1 Deep Tray with Wired Chrome Grid
- Integrated Grill
- Double Glazed Door
- Adjustable Height
- Pre-Fitted Cable
- 2 Oven Lights



Energy Rating: A

Dimensions (mm):
H:900 x W:600 x D:600

Net Main Oven Capacity: 76 Litres
Net Top Oven Capacity: 56 Litres



Galaxy 50cm Glass Lid Twin Cavity Gas Cooker

○ White GTL50W

- Thermostat
- Flame Failure Device
- 1 Deep Tray with Wired Chrome Grid
- 2 Chrome Shelves
- Moulded Enamel Walls
- Glass Lid
- Ignition Button with Cable
- 2 Oven Lights
- Separate Grill
- Double Glazed Door
- 4 Gas Burners
- Includes LPG Conversion Kit
- Enamel Pan Supports

Energy Rating: A

Dimensions (mm):
H:900 x W:500 x D:600

Net Main Oven Capacity: 63 Litres
Net Top Oven Capacity: 45 Litres



Nova 60cm Glass Lid Double Oven Gas Cooker

○ White GDL60W

- Thermostat
- Flame Failure Device
- 1 Deep Tray with Wired Chrome Grid
- 2 Chrome Shelves
- Moulded Enamel Walls
- Glass Lid
- Ignition Button with Cable
- 2 Oven Lights
- Separate Grill
- Double Glazed Door
- 4 Gas Burners
- Includes LPG Conversion Kit
- Enamel Pan Supports

Energy Rating: A

Dimensions (mm):

H:900 x W:600 x D:600

Net Main Oven Capacity: 76 Litres

Net Top Oven Capacity: 56 Litres



60cm Double Oven Electric Cooker with 24 Hour Timer

● Inox TDC60X

- Total Wattage: 9.6kW
- Oven Operation: Convection
- Maximum Oven Temperature: 250°C
- Fan Assisted Oven
- Primary Housing Material: Inox
- Cavity Housing Material: Enamel
- Catalytic Liner (Main Oven Only)
- Hob Type: 4 Zone Ceramic
- LED Display
- 24 Hour Programmable Timer
- Internal Oven Light
- 1 x Deep Oven Tray without Wired Chrome Grid
- 3 x Oven Wire Shelves
- Removable Door
- Adjustable Height
- Anti-tilt Bracket
- Energy Consumption Conventional (Top Cavity): 0.74 kWh
- Energy Consumption Fan (Main Cavity): 0.77 kWh
- *PLEASE NOTE: This model does NOT come with a pre-fitted 13A cable*

Energy Rating: A

Dimensions (mm):

H:900 x W:600 x D:600

Net Main Oven Capacity: 63 Litres

Net Top Oven Capacity: 36 Litres

Built-In 65L Fan Oven

● **Stainless Steel** BSF60SS ○ **White** BSF60WH ● **Black** BSF60BL



- Fan Operated Cooking
- 4 Cooking Functions
- 2 Hour Timer
- 2 Oven Shelves
- 1 Universal Pan
- Easy Clean Enamel Interior
- Removable Door
- Pre-Fitted 13A Cable



Energy Rating: A

Dimensions (mm):

H:595 x W:595 x D:575

Net Oven Capacity: 65 Litres



For installation diagrams, please see page 47

Built-In 65L Multifunctional Oven

● **Stainless Steel** BSM60SS ● **Black** BSM60BL



- Multifunction Oven
- 8 Cooking Functions
- LED Display
- Programmable Timer
- 2 Oven Shelves
- 1 Universal Pan
- Easy Clean Enamel Interior
- Removable Door
- Pre-Fitted 13A Cable



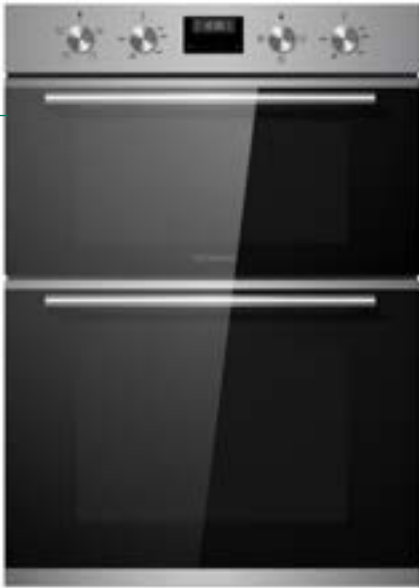
Energy Rating: A

Dimensions (mm):

H:595 x W:595 x D:575

Net Oven Capacity: 70 Litres

For installation diagrams, please see page 47



Built In 35/70L Multifunction Double Oven

● **Stainless Steel** BDM373SS ● **Black** BDM373BL

- Top Cavity Capacity: 35L
- Bottom Cavity Capacity: 70L
- Catalytic Oven Liners
- 3 Cooking Functions
- Open and Closed Door Grilling
- LED Display
- Digital Minute Minder
- 2 Oven Shelves
- 1 Deep Pan
- 3 Top Cavity Shelf Positions
- 5 Bottom Cavity Shelf Positions
- Removable Rack Supports
- 2 Layer Flat Glass Door



Energy Rating: B

Dimensions (mm):

H:885 x W:594 x D:550

Net Oven Capacity: 105 Litres

For installation diagrams, please see page 48





60cm 4 Plate Electric Hob

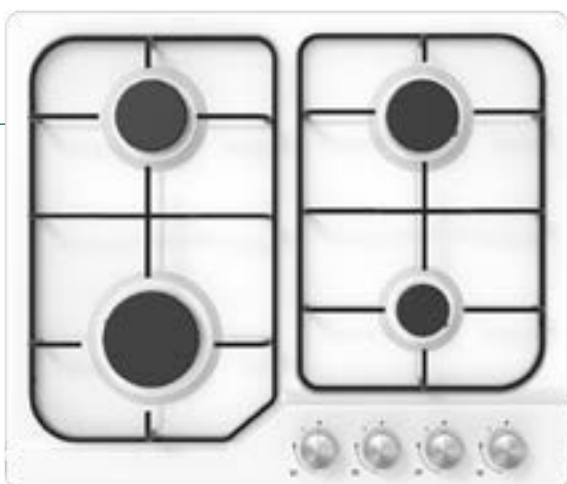
○ White ESH630WH ● Stainless Steel ESH630SS

- Side Dial Control
- 2 x Large Hotplates
- 2 x Small Hotplates

Dimensions (mm):
H:40 x W:580 x D:510



For installation diagrams, please see page 48



60cm 4 Zone Gas Glass Hob

○ White GH60WH

- Front Dial Control
- Automatic Ignition
- 4 Burners: 1 Wok, 2 Semi-Rapid and 1 Simmer
- Includes LPG Conversion Kit
- Durable Cast Iron Supports

Dimensions (mm):
H:90 x W:590 x D:510

For installation diagrams, please see page 48



60cm 4 Zone Gas Glass Hob

● Black GH60GB

- Front Dial Control
- Automatic Ignition
- 4 Burners: 1 Wok, 2 Semi-Rapid and 1 Simmer
- Includes LPG Conversion Kit
- Durable Cast Iron Pan Supports

Dimensions (mm):
H:90 x W:600 x D:515

For installation diagrams, please see page 48



60cm 4 Zone Gas Hob

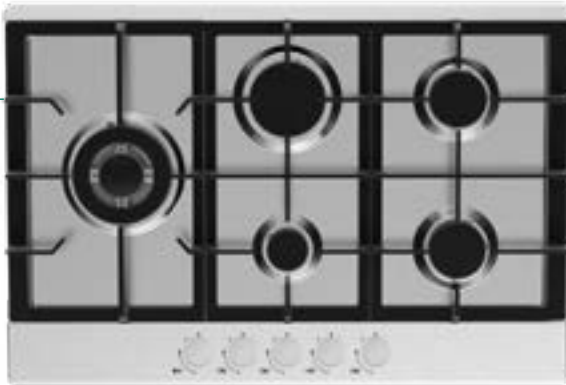
● **Stainless Steel** GH61SS

- Front Dial Control
- Automatic Ignition
- 4 Burners: 1 Wok, 2 Semi-Rapid and 1 Simmer
- Includes LPG Conversion Kit
- Durable Cast Iron Supports

Dimensions (mm):

H:90 x W:590 x D:510

For installation diagrams, please see page 49



75cm 5 Zone Gas Hob

● **Stainless Steel** GH75SS

- Front Dial Control
- Automatic Ignition
- 5 Burners: 1 Triple Crown Wok Burner, 1 Rapid, 2 Semi-Rapid and 1 Simmer
- Includes LPG Conversion Kit
- Durable Cast Iron Pan Supports

Dimensions (mm):

H:90 x W:750 x D:510

For installation diagrams, please see page 49



75cm 5 Zone Gas Hob

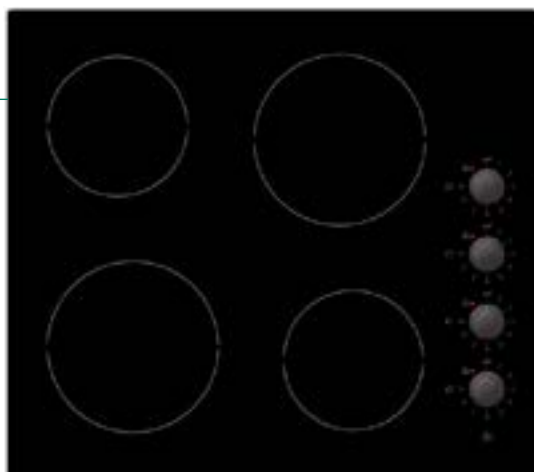
● **Black** GH75GB

- Front Dial Control
- Automatic Ignition
- 5 Burners: 1 Triple Crown Wok Burner, 1 Rapid, 2 Semi-Rapid and 1 Simmer
- Includes LPG Conversion Kit
- Durable Cast Iron Pan Supports

Dimensions (mm):

H:90 x W:750 x D:510

For installation diagrams, please see page 49



60cm 4 Zone Ceramic Hob with Dial Control

● **Black** CHZ460D

- 6000W Total Power Output
- Side Dial Control
- Front Left / Rear Right Zones: 1.8kW Power, 200mm Diameter
- Rear Left / Front Right Zones: 1.2kW Power, 135mm Diameter
- Programmable Timer
- Residual Heat Indicators
- 9 Stage Power Settings
- Child Lock
- Easy Clean Black Scott Glass

Dimensions (mm):

H:50 x W:590 x D:520

For installation diagrams, please see page 48



60cm 4 Zone Ceramic Hob with Touch Control

● **Black** CHZ460T

- 6400W Total Power Output
- Touch Control
- Dual Zone Function (Front Left Zone Only)
- Front Left Zone: 1.1 / 2.2kw Power, 140 / 230mm Diameter
- Rear Left / Front Right Zones: 1.2kW Power, 135mm Diameter
- Rear Right Zone: 1.8kW Power, 200mm Diameter
- Programmable Timer
- Residual Heat Indicators
- 9 Stage Power Settings
- Child Lock
- Easy Clean Black Scott Glass

Dimensions (mm):

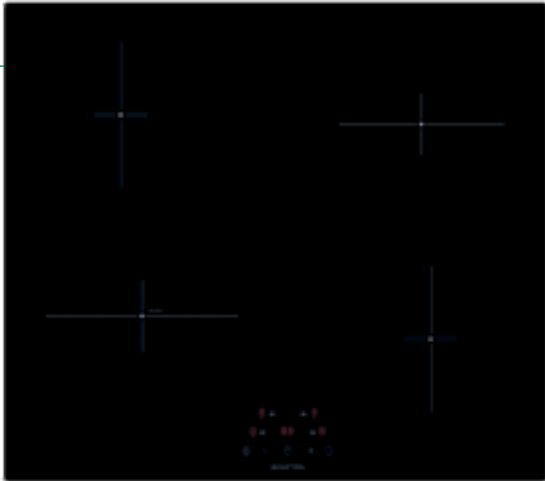
H:50 x W:590 x D:520

For installation diagrams, please see page 48



60cm 4 Zone Induction Hob Touch Control

● Black IHZ460



- 6800W Total Power Output
- Touch Control
- Boost Function (Front Left Zone Only)
- Front Left Zone: 1.8 / 2.2kW Power, 210mm Diameter
- Rear Left / Front Right Zones: 1.4kW Power, 160mm Diameter
- Rear Right Zone: 1.8kW Power, 180mm Diameter
- Programmable Timer
- Residual Heat Indicators
- 9 Stage Power Settings
- Child Lock
- Easy Clean Black Scott Glass

Dimensions (mm):

H:58 x W:590 x D:520

For installation diagrams, please see page 48





60cm Visor Cooker Hood

○ White VH60WH ● Stainless Steel VH60SS



- 2 Speed Settings
- Push Button Control
- Metal and Aluminium Grease Filters
- 1.5W LED Light
- Noise Level: 60 dB(A)
- Extraction Rate: 166 m³/h

Energy Rating: C

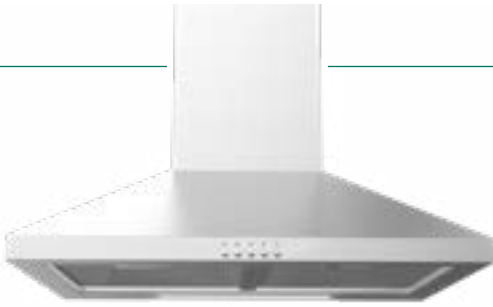
Dimensions (mm):

H:105 x W:600 x D:480

For installation diagrams, please see page 49

60cm Chimney Cooker Hood

● **Stainless Steel** CHM60SS



- 3 Speed Settings
- Slide Control
- Aluminum Mesh Washable Grease Filter
- 1.5W LED Light
- Noise Level: 65 dB(A)
- Extraction Rate: 320m³/h

Energy Rating: B

Dimensions (mm):

H:569 x W:600 x D:448

For installation diagrams, please see page 49

60cm Curved Glass Chimney Cooker Hood

● **Stainless Steel** CGH60GS



- 2 Speeds Settings
- Push Button Control
- Aluminum Mesh Washable Grease Filter
- 1.5W LED Light
- Noise Level: 65 dB(A)
- Extraction Rate: 320m³/h

Energy Rating: B

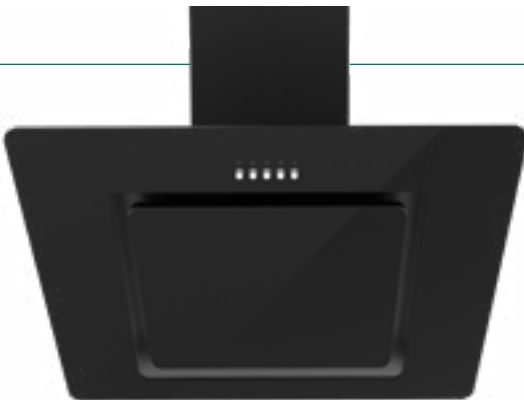
Dimensions (mm):

H:480 x W:600 x D:440

For installation diagrams, please see page 49

60cm Angled Glass Chimney Cooker Hood

● **Black** ACH60BL



- 3 Speeds Settings
- Push Button Control
- Aluminum Mesh Washable Grease Filter
- 1.5W LED Light
- Noise Level: 65 dB(A)
- Extraction Rate: 300m³/h

Energy Rating: B

Dimensions (mm):

H:400 x W:600 x D:392

For installation diagrams, please see page 49

DISHWASHING

Freestanding • Integrated

Statesman offers both freestanding and integrated dishwashing options to complement any kitchen design.

With 12 place settings, collapsible lower racks, flood protection and up to 9 wash programs, our versatile range of Statesman dishwashers offer superb cleaning solutions and outstanding wash performance every time.





45cm Slimline 10 Place Dishwasher

○ White FD10PWE

- 10 Place Settings
- 6 Wash Programs (All in One 50°C, Intensive 60°C, ECO 45°C, 90 Min 65°C, Glass 60°C and Soak)
- Half Load Wash Function
- Program Indicator
- Water Softness Adjustment
- Cold Water Fill
- Water Consumption (L/Cycle): 9
- Energy Consumption (kWh/Cycle): 0.76
- Noise Level: 49dB

Energy Rating: E*

Dimensions (mm):

H:845 x W:448 x D:610

*new rating to meet updated energy labelling regulations for 2021. Previous rating A++



60cm 12 Place Dishwasher

○ White FD12PWE

- 12 Place Settings
- 6 Wash Programs (All in One, Intensive 60°C, Eco 45°C, 90 Min 65°C, Glass 40°C, Soak)
- Half Load Wash Function
- Program Indicator
- Water Softness Adjustment
- Cold Water Fill
- Water Consumption (L/Cycle): 11
- Energy Consumption (kWh/Cycle): 0.93
- Noise Level: 49dB

Energy Rating: E*

Dimensions (mm):

H:845 x W:598 x D:610

*new rating to meet updated energy labelling regulations for 2021. Previous rating A++



45cm Slimline 9 Place Integrated Dishwasher

○ White BDW4509

- 9 Place Settings
- 5 Wash Programs: Intensive, Normal, Eco, 90min, Rapid
- 3/6/9 Hour Timer
- Adjustable Basket
- Indicator Lights

Energy Rating: E

Dimensions (mm):

H:815 x W:448 x D:550

For installation diagram, please see page 46



60cm 14 Place Integrated Dishwasher

○ White BDW6014

- 14 Place Settings
- 5 Wash Programs: Intensive, Normal, Eco, 90min, Rapid
- 3/6/9 Hour Timer
- Water Softness Adjustment
- LED Light
- Cutlery Basket

Energy Rating: E

Dimensions (mm):

H:815 x W:598 x D:550

For installation diagram, please see page 46



TECHNICAL

Specifications • Installation Diagrams

STATESMAN

Washing Machines
FWM0612E FWM0714E/SE FWM0814E BIW0814
Features

	FWM0612E	FWM0714E/SE	FWM0814E	BIW0814
Fit type	Freestanding	Freestanding	Freestanding	Integrated
Spin speed (rpm)	1200	1400	1400	1400
Load capacity (kg)	6	7	8	8
Water inlet	Cold	Cold	Cold	Cold
Add garment function	-	-	-	Yes
Variable spin	-	-	-	Yes
Delay timer	-	Yes	Yes	Yes
Delay timer length	-	Up to 23 hours	Up to 23 hours	Up to 24 hours
Load balancing system	-	-	-	Yes
Child lock	Yes	Yes	Yes	Yes
LED panel	-	Yes	Yes	Yes
Control type	Dial/Button	Dial/Button	Dial/Button	Dial/Button
Inverter motor	-	-	Yes	Yes

Programs

Spin	Yes	Yes	Yes	Yes
Rinse	Yes	Yes	Yes	Yes
Prewash	Yes	Yes	Yes	Yes
Quick wash	15min	15min	15min	15min
Number of Wash Programs	15	15	15	16

Performance

Energy rating <i>(New 2021 Energy Labelling Regulations)</i>	D	D	C	B
Energy consumption per cycle (kWh)	0.65	0.59	0.63	0.545
Voltage (V)	220-240	220-240	220-240	220-240
Frequency (Hz)	50	50	50	50
Power rating (W)	2100	2100	2100	1950
Weighted water consumption per cycle (lt)	43	45	48	48
Program duration at rated capacity (min)	193	205	215	A
Spin-drying efficiency	B	B	B	B
Spin noise level (dB)	78	79	75	76
Spin noise class	C	C	B	B

Dimensions and Weight

Product dimensions (HxWxDmm)	845x597x497	845x597x527	845x597x557	825x595x540
Packed dimensions (HxWxDmm)	881x641x547	881x641x557	881x641x610	875x680x605
Net weight (kg)	55.2	62.5	72	63
Gross weight (kg)	56.6	64	73.5	66

Colour

Colour	White	White/Silver	White	White
--------	-------	--------------	-------	-------

Statesman operate a policy of continual improvement and development. We therefore reserve the right to change/alter the specification and appearance without prior notice.

Washer Dryers	XD0806WE	BXD0806
Features		
Fit type	Freestanding	Integrated
Spin speed (rpm)	1400	1400
Wash capacity (kg)	8	8
Drying Capacity (kg)	6	6
Water inlet	Cold	Cold
Add garment function	Yes	Yes
Variable spin	Yes	Yes
Delay timer	Yes	Yes
Delay timer length	3-24 Hours	3-24 Hours
Load balancing system	Yes	Yes
Child lock	Yes	Yes
LED panel	Yes	Yes
Control type	Dial/Button	Dial/Button
Drying control	Sensor	Sensor
Heat Settings	Cold/20/30/ 40/60/90	Cold/20/30/ 40/60/90
Drying Programs	4	4
Programs		
Speed Wash	Yes	Yes
Extra Rinse	Yes	Yes
Prewash	Yes	No
Easy Iron	Yes	No
Extra Wash	Yes	No
Number of Programs	16	16
Performance		
Energy rating (wash only)	B	B
Energy rating (wash and dry)	E	E
Energy consumption per cycle wash only (kWh)	0.545	0.545
Energy consumption per cycle wash and dry (kWh)	3.6	3.6
Voltage (V)	220~240	220~240
Frequency (Hz)	50	50
Power rating	1900W	1900W
Water consumption per cycle (lt)	Wash and dry: 90 Wash only: 48	Wash and dry: 90 Wash only: 48
Spin noise level	76	76
Spin noise class	b	B
Dimensions and Weight		
Product dimensions (HxWxDmm)	850x595x470	825x595x540
Packed dimensions (HxWxDmm)	885x655x555	875x680x605
Net weight (kg)	65	64
Gross weight (kg)	68	68
Colour		
Colour	White	White

Tumble Dryers	TVM07W	TCM08W	THP08W
Features			
Drying type	Vented	Condensor	Heat Pump Condensor
Drying control	Electronic	Sensor	Sensor
Drying capacity (kg)	7	8	8
Door opening angle°	165	165	180
Door diameter (inner mm)	415	375	375
Drum material	Zinc	Galvanized	Galvanized
Venting position	Rear	N/A	N/A
Water collection	N/A	Top	Top
Number of programs	4	12	16
Reduced Ironing	Yes	Yes	Yes
Child lock	Yes	Yes	Yes
Performance			
Energy rating	C	B	A++
Voltage (V)	220~240	220~240	220~240
Power rating (W)	2000	2700	800
Frequency (Hz)	50	50	50
Cycle duration (mins)	100	140	175
Noise level (dB)	69	69	69
Dimensions and Weight			
Product dimensions (HxWxDmm)	840x595x550	845x595x615	845x595x650
Packed dimensions (HxWxDmm)	890x665x575	880x660x680	885x685x695
Net weight (kg)	33	41	49
Gross weight (kg)	36	44	52
Colour			
Colour	White	White	White

Statesman operate a policy of continual improvement and development. We therefore reserve the right to change/alter the specification and appearance without prior notice.

Under Counter Refrigeration **R155W/B/S** **L255W/B/S** **U355W/B/S**

Features

Type	U/C Fridge	U/C Fridge	U/C Freezer
Fit type	Freestanding	Freestanding	Freestanding
Internal light	Yes	Yes	-
Adjustable feet	Yes	Yes	Yes
Reversible doors	Yes	Yes	Yes
Star rating	4	-	4
Auto defrost fridge	Yes	Yes	-
Frost free	-	-	-
HFC free	Yes	Yes	Yes
Climate class	ST/N	ST/N	ST/N

Performance

Energy rating <i>(New 2021 Energy Labelling Regulations)</i>	F (was A+)	F (was A+)	F (was A+)
Energy consumption (kW/24h)	0.375	0.32	0.48
Voltage (V-AC)	220~240	220~240	220~240
Frequency (Hz)	50	50	50
Refrigerant	R600a	R600a	R600a
Gross total volume (lt/cft)	123/4.34	136/4.80	94/3.32
Net refrigerant volume (lt/cft)	97/3.43	133/4.7	-
Net freezing volume (lt/cft)	16/0.57	-	86/3.04
Freezing capacity (kg/24hr)	2	-	6

Dimensions and Weight

Gross weight	31.1	31.2	31.6
Product dimensions (HxWxDmm)	845x553x574	845x553x574	845x553x574
Packed dimension (HxWxDmm)	865x574x595	865x574x595	865x574x595

Colour

Colour	White, Black Silver	White, Black Silver	White, Black Silver
--------	---------------------	---------------------	---------------------

Integrated Under Counter **BU60LF4E** **BU60FZ4E**

Features

Type	U/C Fridge	U/C Freezer
Fit type	Integrated	Integrated
Internal light	Yes	-
Adjustable feet	Yes	Yes
Reversible doors	Yes	Yes
Star rating	-	4
Auto defrost fridge	Yes	-
Frost free	-	-
HFC free	Yes	Yes
Climate class	ST	SN

Performance

Energy rating <i>(New 2021 Energy Labelling Regulations)</i>	F (was A+)	F (was A+)
Energy consumption (kW/24h)	0.32	0.49
Voltage (V-AC)	220~240	220~240
Frequency (Hz)	50	50
Refrigerant	R600a	R600a
Gross total volume (lt/cft)	136/4.80	107/3.78
Net refrigerant volume (lt/cft)	133/4.7	-
Net freezing volume (lt/cft)	-	95/3.35
Freezing capacity (kg/24hr)	-	9

Dimensions and Weight

Gross weight	31	39
Product dimensions (HxWxDmm)	818x598x548	818x598x548
Packed dimension (HxWxDmm)	883x659x586	883x659x586

Colour

Colour	White	White
--------	-------	-------

Chest Freezers **CHF102** **CHF151** **CHF200**

Features

Internal light	Yes	Yes	Yes
Adjustable feet	Electronic	Electronic	Electronic
Balanced hinge	Yes	Yes	Yes
Star rating	4	4	4
HFC free	Yes	Yes	Yes
Climate class	ST/N/SN	ST/N/SN	ST/N/SN

Performance

Energy rating <i>(New 2021 Energy Labelling Regulations)</i>	F (was A+)	F (was A+)	F (was A+)
Energy consumption (kW/24h)	211	228	250
Voltage (V-AC)	220-240	220-240	220-240
Frequency (Hz)	50	50	50
Noise level (dB)	40	40	40
Refrigerant	R600a	R600a	R600a
Gross total volume (lt/cft)	100	145	200
Net freezing volume (lt/cft)	98/3.46	142/5.01	198/6.99
Freezing capacity (kg/24hr)	6	7	10

Dimensions and Weight

Gross weight	27	31	37
Product dimensions (HxWxDmm)	845x545x545	845x705x545	845x905x545
Packed dimension (HxWxDmm)	889x573x573	889x733x573	889x938x573

Colour

Colour	White	White	White
--------	-------	-------	-------

Statesman operate a policy of continual improvement and development. We therefore reserve the right to change/alter the specification and appearance without prior notice.

Freestanding Refrigeration	TL235LWE	TL335LWE	TF160LWE	TF170LWE	F1350APWE	LF1418W
Features						
Type	Tall Fridge	Tall Fridge	Tall Freezer	Tall Freezer	Fridge Freezer	Fridge Freezer
Fit type	Freestanding	Freestanding	Freestanding	Freestanding	Freestanding	Freestanding
Internal light	Yes	Yes	No	No	Yes	Yes
Adjustable feet	Yes	Yes	Yes	Yes	Yes	Yes
Reversible doors	Yes	Yes	Yes	Yes	Yes	Yes
Star rating	4	4	4	4	4	3
Auto defrost fridge	Yes	Yes	-	-	Yes	Yes
Frost free	-	-	-	-	-	Low Frost
Total no frost	-	-	-	-	-	-
HFC free	Yes	Yes	Yes	Yes	Yes	Yes
Climate class	ST/N/SN	ST	ST/N	ST/N	ST/N	ST/N/SN
Performance						
Energy rating <i>(New 2021 Energy Labelling Regulations)</i>	F (was A+)	F (was A+)	F (was A+)	F (was A+)	F (was A+)	F
Energy consumption (kW/24h)	0.35	0.37	0.584	0.670	0.53	240
Voltage (V-AC)	220~240	220~240	220~240	220~240	220~240	22-240
Frequency (Hz)	50	50	50	50	50	50
Refrigerant	R600a	R600a	R600a	R600a	R600a	R600a
Gross total volume (lt)	236	340	170	245	135	170
Net refrigerant volume (lt)	235	335	-	-	90	118
Net freezing volume (lt)	-	-	157	225	45	52
Freezing capacity (kg/24hr)	-	-	10	10	2	-
Dimensions and Weight						
Gross weight	44	56	49	64	44	42
Product dimensions (HxWxDmm)	1420x550x550	1700x600x600	1420x550x550	1700x600x600	1225x500x540	1418x500x540
Packed dimension (HxWxDmm)	1440x580x580	1783x650x635	1440x580x580	1783x650x635	1245x540x578	1478x540x580
Colour						
Colour	White	White	White	White	White	White

Freestanding Refrigeration	F1654APWE/SE	FF1525APWE/SE	FF2310APWE	FF1755X	TNF1860WE/XE
Features					
Type	Fridge Freezer	Fridge Freezer	Fridge Freezer	Fridge Freezer	Fridge Freezer
Fit type	Freestanding	Freestanding	Freestanding	Freestanding	Freestanding
Internal light	Yes	Yes	Yes	Yes	Yes
Adjustable feet	Yes	Yes	Yes	Yes	Yes
Reversible doors	Yes	Yes	Yes	Yes	Yes
Water dispenser	-	-	-	Yes	-
Star rating	4	4	4	4	4
Auto defrost fridge	-	Yes	Yes	Yes	Yes
Frost free	Low Frost	Yes	Yes	Yes	-
Total no frost	-	-	-	-	Yes
HFC free	Yes	Yes	Yes	Yes	Yes
Climate class	ST/N	ST/N	ST	N/ST	SN/ST
Performance					
Energy rating <i>(New 2021 Energy Labelling Regulations)</i>	F (was A+)	F (was A+)	F (was A+)	F (was A+)	F (was A+)
Energy consumption (kW/24h)	0.717	0.59	0.67	276	0.868
Voltage (V-AC)	220~240	220~240	220~240	220-240	220~240
Frequency (Hz)	50	50	50	50	50
Noise level (dB)	-	-	-	40	-
Refrigerant	R600a	R600a	R600a	R600a	R600a
Gross total volume (lt)	255	175	259	256	357
Net refrigerant volume (lt)	142	119	165	161	199
Net freezing volume (lt)	109	53	66	71	97
Freezing capacity (kg/24hr)	5	2.5	3	3.2	12
Dimensions and Weight					
Gross weight	55	51	52	57	71
Product dimensions (HxWxDmm)	1660x540x595	1525x501x560	1770x550x580	1770x550x580	1850x600x685
Packed dimension (HxWxDmm)	1712x578x632	1560x540x600	1828x575x605	1828x575x605	1928x640x715
Colour					
Colour	White, Silver	White, Black, Silver	White	Inox	White, Inox

Statesman operate a policy of continual improvement and development. We therefore reserve the right to change/alter the specification and appearance without prior notice.

Freestanding Refrigeration SBS177X

Features	
Type	Fridge Freezer
Fit type	Freestanding
Internal light	Yes
Adjustable feet	Yes
Reversible doors	Yes
Water dispenser	-
Star rating	4
Auto defrost fridge	Yes
Frost free	-
Total no frost	Yes
HFC free	Yes
Climate class	ST/N/ST
Performance	
Energy rating	F
Energy consumption (kW/24h)	276
Voltage (V-AC)	220~240
Frequency (Hz)	50
Noise level (dB)	40
Refrigerant	R600a
Gross total volume (lt)	532
Net refrigerant volume (lt)	347
Net freezing volume (lt)	185
Freezing capacity (kg/24hr)	14
Dimensions and Weight	
Gross weight	98
Product dimensions (HxWxDmm)	1770x905x670
Packed dimension (HxWxDmm)	1862x972x710
Colour	
Colour	Inox

Integrated Refrigeration BIFF7030TNFE

Features	
Type	Fridge Freezer
Fit type	Integrated
Internal light	Yes
Adjustable feet	No
Reversible doors	Yes
Star rating	4
Auto defrost fridge	Yes
Frost free	No
Total no frost	-
HFC free	Yes
Climate class	ST/T/N
Performance	
Energy rating <i>(New 2021 Energy Labelling Regulations)</i>	F (was A+)
Energy consumption (kW/annum)	280
Voltage (V-AC)	220~240
Frequency (Hz)	50
Refrigerant	R600a
Gross total volume (lt)	249
Net refrigerant volume (lt)	180
Net freezing volume (lt)	68
Freezing capacity (kg/24hr)	3.5
Dimensions and Weight	
Gross weight	62
Product dimensions (HxWxDmm)	1770x540x545
Packed dimension (HxWxDmm)	1880x580x585
Colour	
Colour	White

Cookers

DELTA50W

FUSION50W

NAPIER60EW

STUDIO2

LEGACY50GSLF

MAXI60GSF

Features	DELTA50W	FUSION50W	NAPIER60EW	STUDIO2	LEGACY50GSLF	MAXI60GSF
Fuel type	Electric	Electric	Electric	Gas	Gas	Gas
Pan supports	-	-	-	Enamel	Enamel	Enamel
Lid	-	-	-	-	Yes	-
Storage compartments	Yes	-	Yes	Yes	Yes	-
Hob						
Type	Hotplate	Hotplate	Hotplate	Burner	Burner	Burner
Rear left hotplate (kW)	1.5	1.5	1.5	1.75	1.65	1.75
Front left (kW)	1	1	1	3	3	3
Front right (kW)	2	2.5	2	1	1	1
Rear right (kW)	1	1	1	1.75	1.65	1.75
Controls						
Button ignition	-	No	-	Yes	Yes	Yes
Double glazed door	Yes	Yes	Yes	Yes	Yes	Yes
LPG conversion kit	-	-	-	Yes	Yes	-
Oven volume (lt)	53	53	61	53	51	62
Performance						
Energy rating	A	A	A	A	A	A
Energy consumption (kW/24hr)	0.81	0.81	0.85	1.65	1.63	1.75
Dimensions and Weight						
Product dimensions (HxWxDmm)	900x500x600	900x500x600	900x600x600	900x500x600	900x500x500	900x600x600
Packed dimensions (HxWxDmm)	974x545x684	974x545x684	977x645x684	974x545x684	967x545x586	977x645x684
Net weight (kg)	43	43	46	37	36	43
Gross weight (kg)	46.2	46.2	49.5	40	39	46.5
Colour						
Colour	White	White	White	White	White	White

Statesman operate a policy of continual improvement and development. We therefore reserve the right to change/alter the specification and appearance without prior notice.

Cookers	EDC50W	EDC60W	TDC60X	GTL50W	GDL60W
Features					
Fuel type	Electric/Radiant	Electric/Radiant	Electric/Radiant	Gas	Gas
Pan supports	-	-	-	Enamel	Enamel
Lid	-	-	-	Yes	Yes
Storage compartments	-	-	-	-	-
Hob					
Type	Heat Zone	Heat Zone	Heat Zone	Burner	Burner
Rear left hotplate (kW)	1.2	1.2		1.75	1.75
Front left (kW)	1.7	1.7		3	3
Front right (kW)	1.2	1.2		1	1
Rear right (kW)	1.7	1.7		1.75	1.75
Controls					
Button ignition	-	-	-	Yes	Yes
Double glazed door	Yes	Yes		Yes	Yes
LPG conversion kit	-	-	-	Yes	Yes
Net main oven volume (lt)	58	76	63	63	73
Net main top volume (lt)	48	56	36	45	52
Performance					
Energy rating	A	A	A	A	A
Energy consumption (kW/24hr)					
Main oven	0.81	0.74	0.77	-	1.35
Top oven	0.79	0.82	0.74	1.32	1.39
Dimensions and Weight					
Product dimensions (HxWxDmm)	900x500x600	900x600x600	900x600x600	900x500x600	900x600x600
Packed dimensions (HxWxDmm)	974x545x684	977x645x684	977x645x684	974x545x684	977x645x684
Net weight (kg)	40	43	50.3	43.5	49.1
Gross weight (kg)	42	45	52.3	45.5	51.1
Colour					
Colour	White	White, Black, Silver	Inox	White	White

Built-In Ovens	BSF60WH/SS	BSM60WH/BL/SS	BDM373SS/BL
Features			
Fuel type	Electric	Electric	Electric
Controls type	Manual	Digital	Digital
LED panel	-	Yes	Yes
Program electronic timer	-	Yes	Yes
Light	Yes	Yes	Yes
Removable door	Yes	Yes	Yes
Easy clean enamel	Yes	Yes	-
Catalytic liners	-	-	Yes
Defrost	Yes	Yes	Yes
Fan oven	Yes	Yes	Yes
Fan assisted cooking	-	Yes	Yes
Fan assisted grilling	Yes	Yes	Yes
Dual grilling	-	Yes	Yes
Top oven volume (lt)	-	-	35
Main oven volume (lt)	-	-	70
Net oven volume (lt)	65	70	105
Performance			
Energy rating	A	A	A
Dimensions and Weight			
Product dimensions (HxWxDmm)	595x595x575	595x595x575	885x594x550
Packed dimensions (HxWxDmm)	670x648x688	670x648x688	965x693x718
Net weight (kg)	29.4	31.6	
Gross weight (kg)	32.6	34	
Colour			
Colour	White, Stainless Steel	White, Black, Stainless Steel	Stainless Steel, Black

Statesman operate a policy of continual improvement and development. We therefore reserve the right to change/alter the specification and appearance without prior notice.

Hobs	ESH630WH/SS	GH60WH	GH61SS	GH60GB	GH75SS
Features					
Type	Solid Plate	Gas	Gas	Gas	Gas
Cooking zones	4	4	4	4	5
Residual heat indicator	-	-	-	-	-
Control type	Dial	Dial	Dial	Dial	Dial
Control position	Side	Front	Front	Front	Front
Pan supports	-	Enamel	Cast iron	Cast iron	Cast iron
Ignition type	-	Automatic	Automatic	Automatic	Automatic
Flame failure device	-	Yes	Yes	Yes	Yes
LPG conversion kit	-	Yes	Yes	Yes	Yes
Child lock	-	-	-	-	-
Performance					
Voltage	220~240	220~240	220~240	220~240	220~240
Front left rating (kW)	2	3	1	1	1
Front right rating (kW)	1.5	1.75	1.75	1.75	1.75
Rear left rating (kW)	1.5	1.75	3.6	3.6	3
Rear right rating (kW)	2	1	1.75	1.75	1.75
Middle rating (kW)	-	-	-	-	3.6
Dimensions and Weight					
Product dimensions (HxWxDmm)	75x580x550	95x590x500	90x590x510	90x600x515	90x750x510
Packed dimensions (HxWxDmm)	150x675x645	168x652x562	180x678x590	165x672x582	182x837x602
Aperture dimensions (WxDmm)	560x490	560x490	560x490	560x490	560x490
Colour					
Colour	Stainless Steel, White	White	Stainless Steel	Black Glass	Stainless Steel

Hobs	CHZ460D	CHZ460T	IHZ460
Features			
Type	Ceramic	Ceramic	Induction
Cooking zones	4	4	4
Residual heat indicator	Yes	Yes	Yes
Control type	Dial	Touch	Touch
Control position	Side	Front	Front
Pan supports	-	-	-
Flame failure device	-	-	-
LPG conversion kit	-	-	-
Child lock	Yes	Yes	Yes
Programmable timer	No	Yes	Yes
Performance			
Voltage	220~240	220~240	220~240
Front left rating (kW)	1.8	1.1/2.2	1.8/2.2
Front right rating (kW)	1.2	1.2	1.4
Rear left rating (kW)	1.2	1.2	1.4
Rear right rating (kW)	1.8	1.8	1.8
Middle rating (kW)	-	-	-
Dimensions and Weight			
Product dimensions (HxWxDmm)	590x520x50	590x520x50	590x520x58
Packed dimensions (HxWxDmm)	660x590x120	650x580x115	650x580x115
Colour			
Colour	Black	Black	Black

Statesman operate a policy of continual improvement and development. We therefore reserve the right to change/alter the specification and appearance without prior notice.

Hoods	VH60WH/SS	CHM60SS	CHM90SS	CGH60GS
Features				
Type	Visor	Chimney	Chimney	Chimney curved glass
Light	1 x 40W	2 x 40W	2 x 40W	2 x LED 1.5W
Speed settings	3	3	3	3
Grease filter type	Metal and Aluminium	Aluminium	Aluminium	Aluminium
Performance				
Energy rating	E	E	E	C
Noise level (dB)	65	65	65	65
Extraction rate (m3/hr)	191	393.2	424.1	612.5
Energy consumption (kwh/annum)	87	133	130	95
Dimensions and Weight				
Product dimensions (HxWxDmm)	150x596x500	720x600x500	720x900x500	455x600x500
Packaging dimensions (HxWxDmm)	185x640x550	570x660x380	570x960x370	578x660x480
Gross weight (kg)	8	12	14	16
Hose diameter (mm)	120	150	150	150
Colour				
Colour	White, Stainless Steel	Stainless Steel	Stainless Steel	Stainless Steel

Dishwashers	FD10PWE	FD12PWE	BDW4509	BDW6014
Features				
Type	Freestanding	Freestanding	Integrated	Integrated
Place settings	10	12	9	14
Adjustable basket	Yes	Yes	Yes	Yes
Indicator lights	Yes	Yes	Yes	Yes
Temperatures (°C)	35/45/50/55/60/65/70	35/45/50/55/60/65/70	40/50/55/65	45/50/55/60/65
Flood protection	Yes	Yes	Yes	Yes
Heater protection	Yes	Yes	Yes	Yes
Wash cycle indicators	Yes	Yes	Yes	Yes
Programs				
Prewash	Yes	Yes	-	-
Eco	45°C	45°C	50°C	50°C
Intensive	60°C	60°C	65°C	65°C
3-in-1 55°C	50-70°C	50-70°C	-	-
Normal	-	-	55°C	55°C
Rapid	40°C	40°C	40°C	40°C
90 Mins	60-65°C	60-65°C	Yes	60-65°C
Delay Timer Length (Hrs)	1-24	1-24	3/6/9	3/6/9
Performance				
Noise level (db)	49	49	49	49
Energy consumption (kWh/cycle)	0.76	0.92	0.691	0.95
Voltage	230	230	220-240	220-240
Frequency	50	50	50	50
Energy rating	E	E	E	E
Dimensions and Weight				
Product dimensions (HxWxDmm)	845x448x610	845x598x610	815x448x550	815x598x550
Packed dimensions (HxWxDmm)	890x495x672	890x645x672	890x495x645	890x645x645
Net weight (kg)	35.5	41.5	29.5	32.5
Gross weight (kg)	40.5	47	34.5	38.5
Colour				
Colour	White	White	White	White

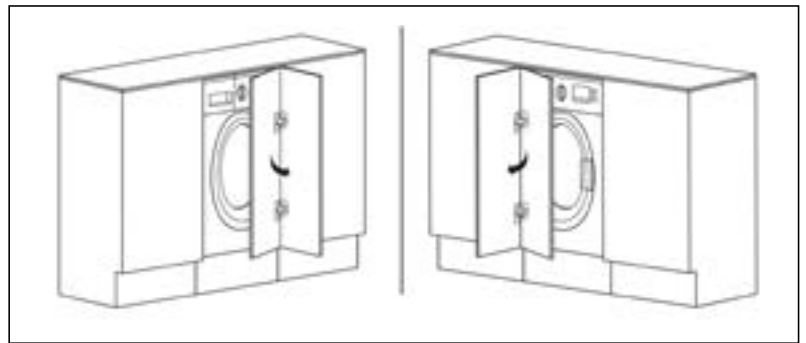
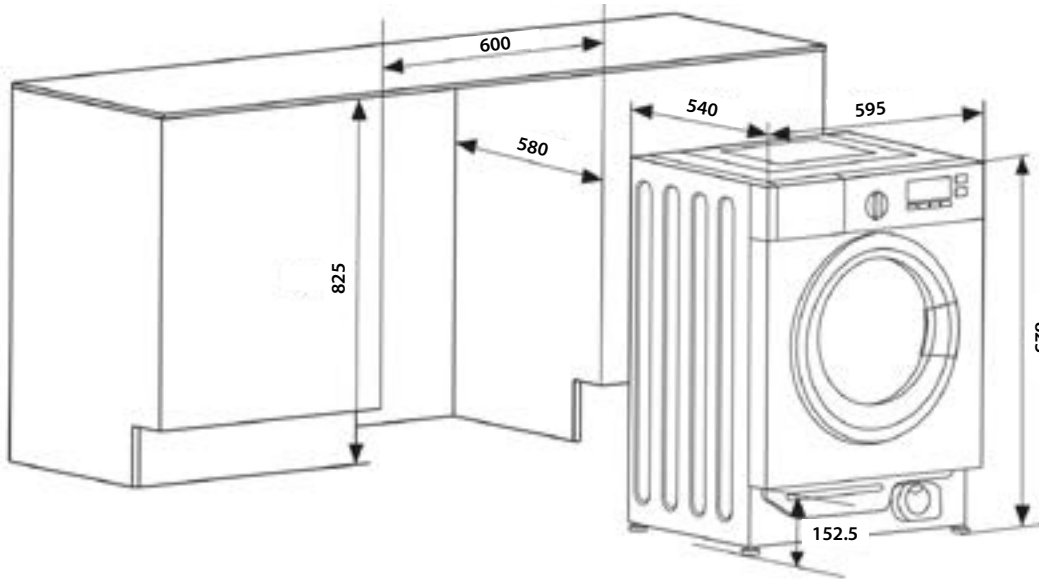
Statesman operate a policy of continual improvement and development. We therefore reserve the right to change/alter the specification and appearance without prior notice.

BIW0814

8kg Integrated Washing Machine

BXD0806

8kg/6kg Integrated Washer Dryer

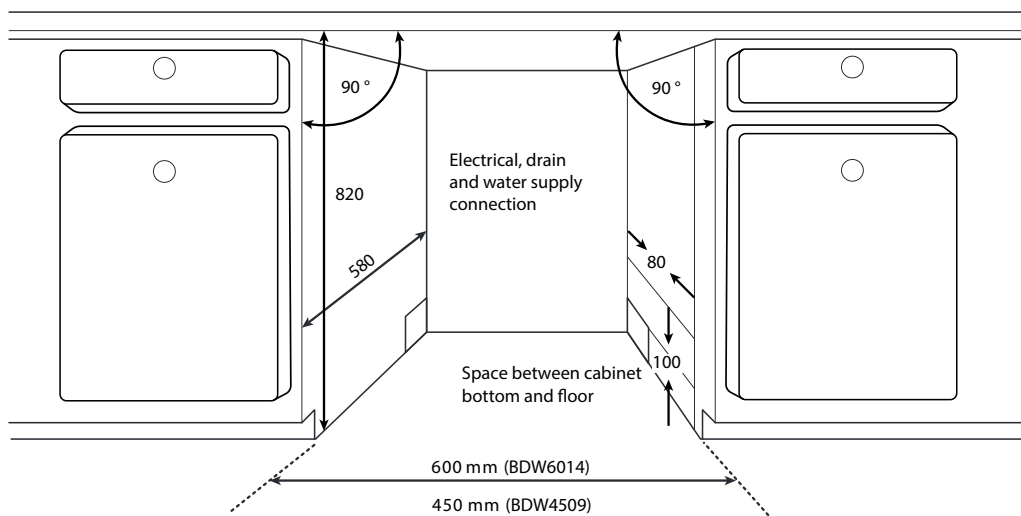


BDW4509

45cm Slimline 9 Place Integrated Dishwasher

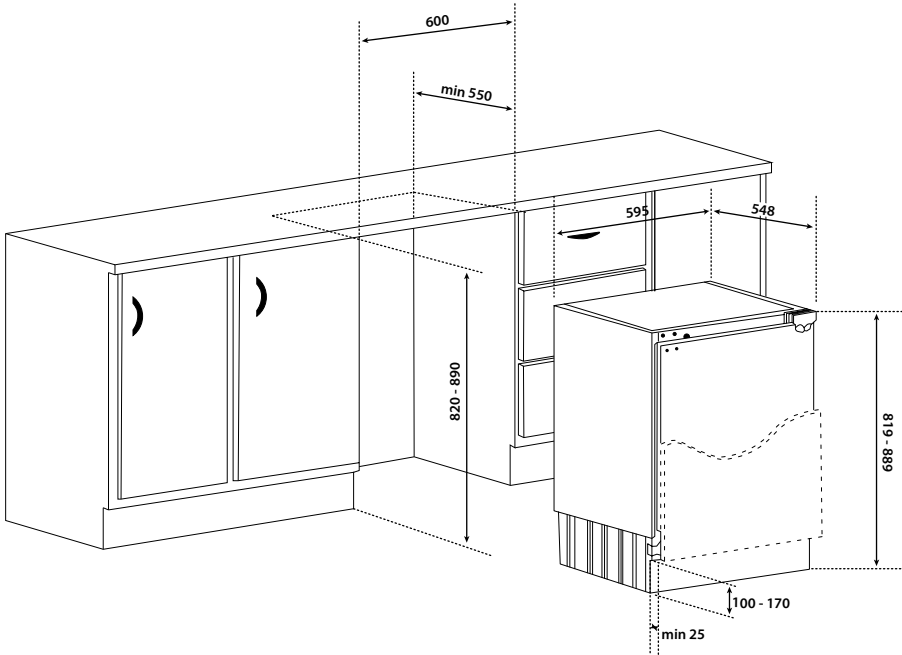
BDW6014

60cm 14 Place Integrated Dishwasher

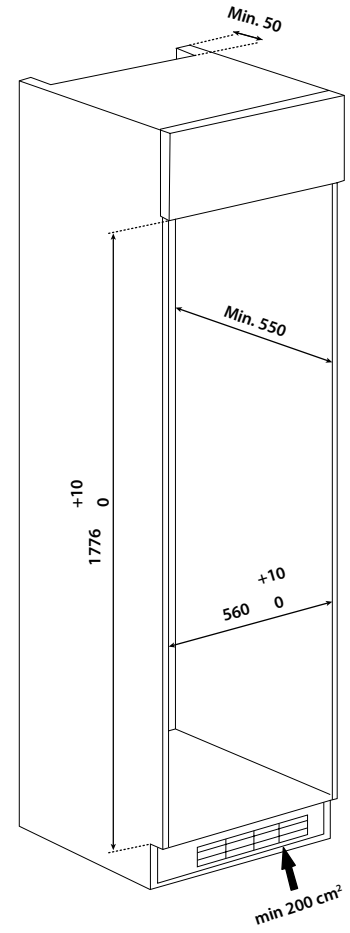


All measurements are in mm unless otherwise stated

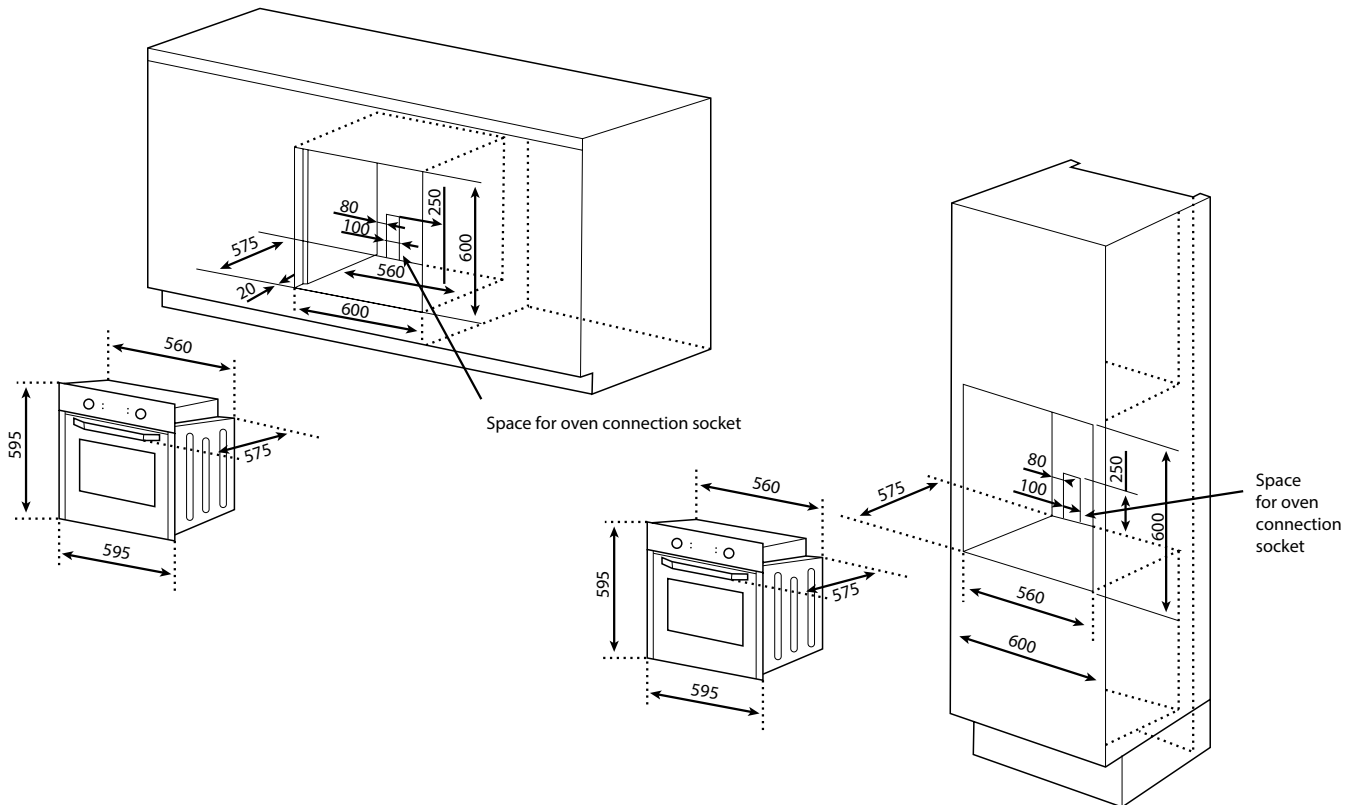
BU60LF4E / BU60FZ4E
Under Counter Refrigeration Units



BIFF7030TNFE
55cm 70/30 Integrated Fridge Freezer



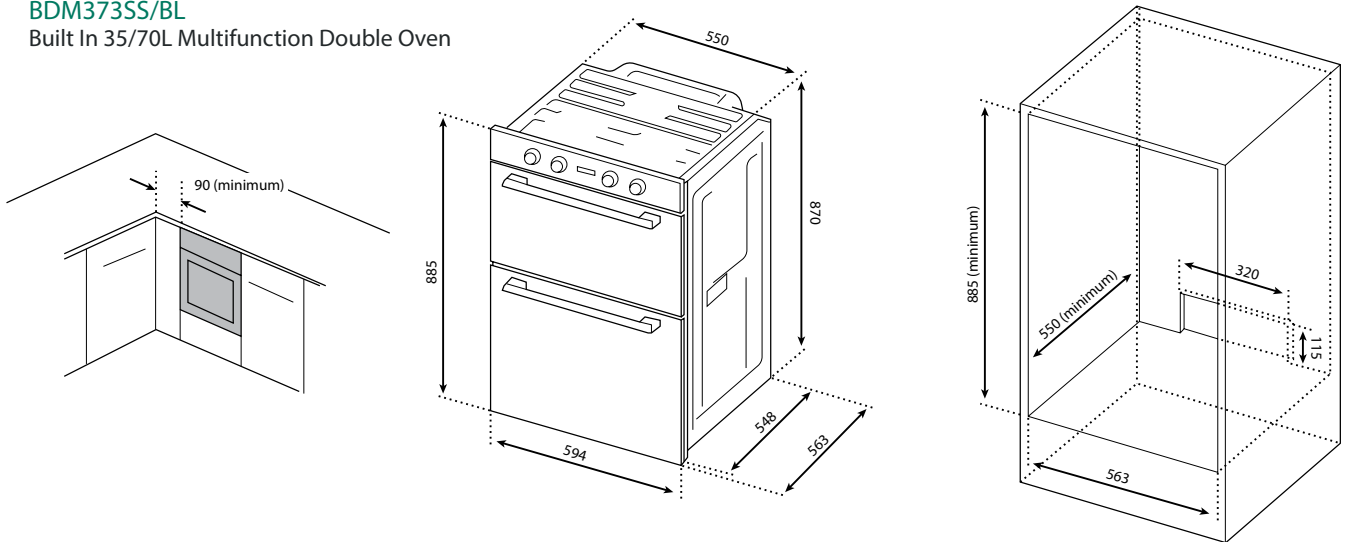
BSF60SS/WH & BSM60SS/WH/BL
Built-In Oven



All measurements are in mm unless otherwise stated

BDM373SS/BL

Built In 35/70L Multifunction Double Oven



CHZ460D

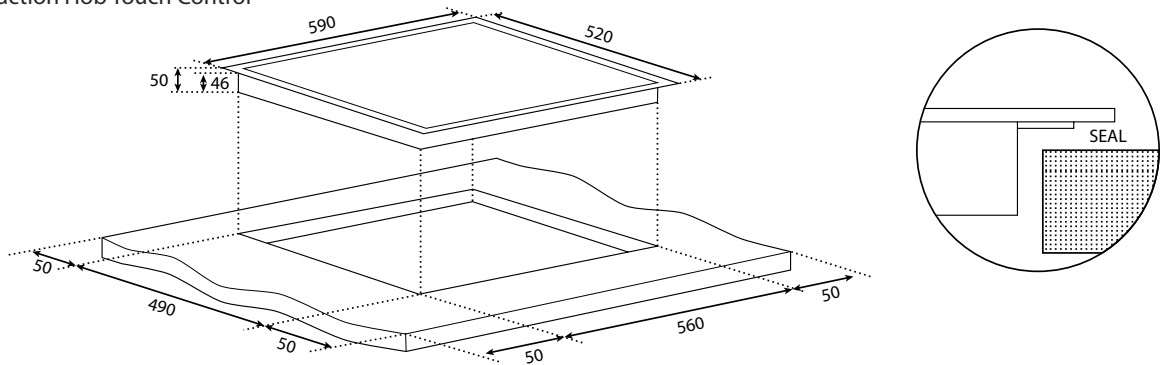
60cm 4 Zone Ceramic Hob with Dial Control

CHZ460T

60cm 4 Zone Ceramic Hob with Touch Control

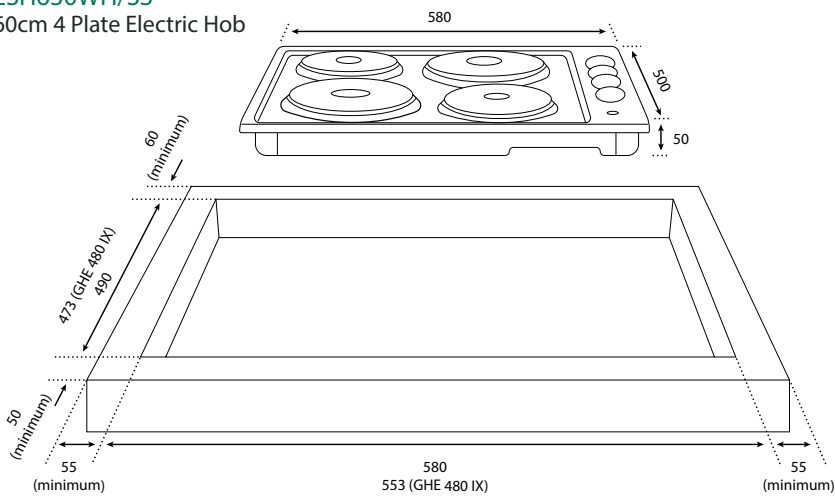
IHZ460

60cm 4 Zone Induction Hob Touch Control



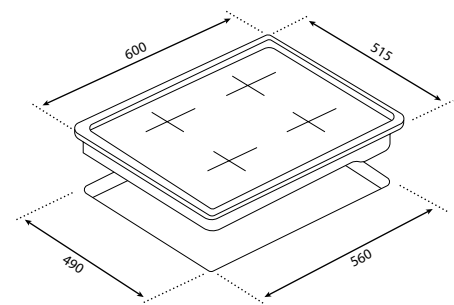
ESH630WH/SS

60cm 4 Plate Electric Hob



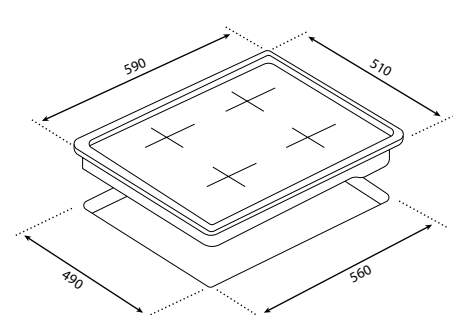
GH60GB

60cm 4 Zone Gas Glass Hob



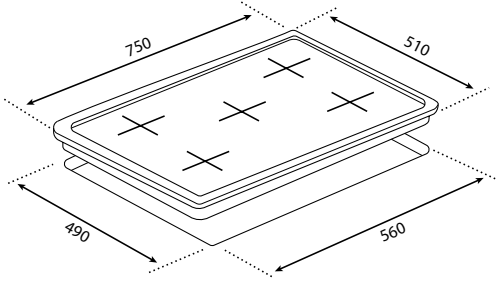
GH61SS

60cm 4 Zone Gas Hob

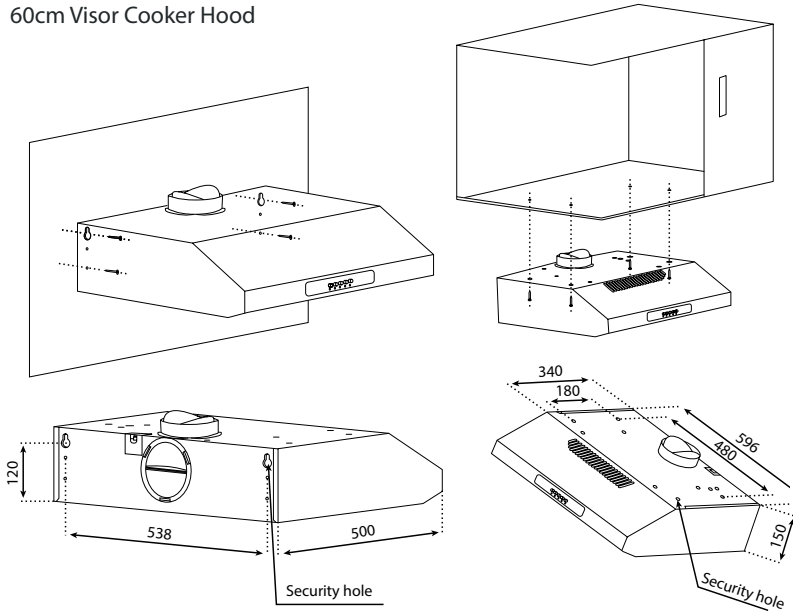


All measurements are in mm unless otherwise stated

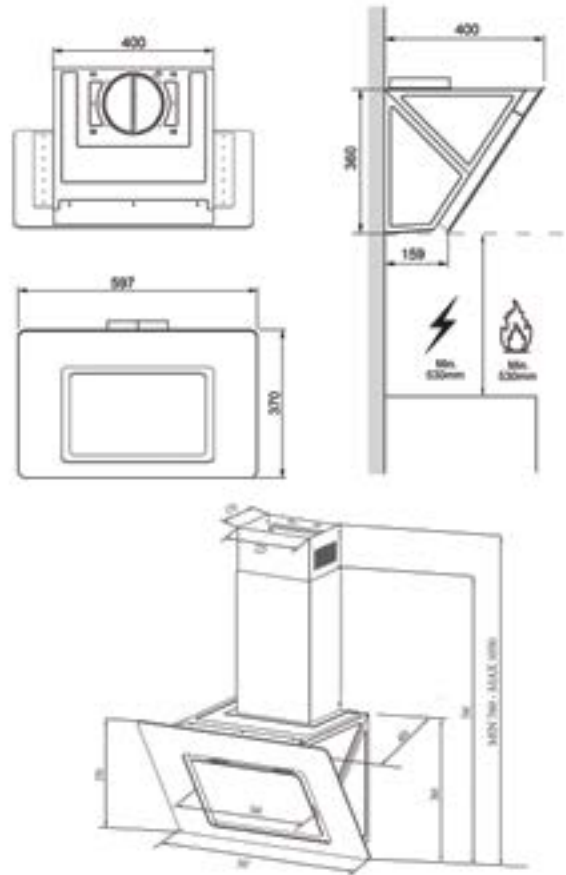
GH75SS
75cm 5 Zone Gas Hob



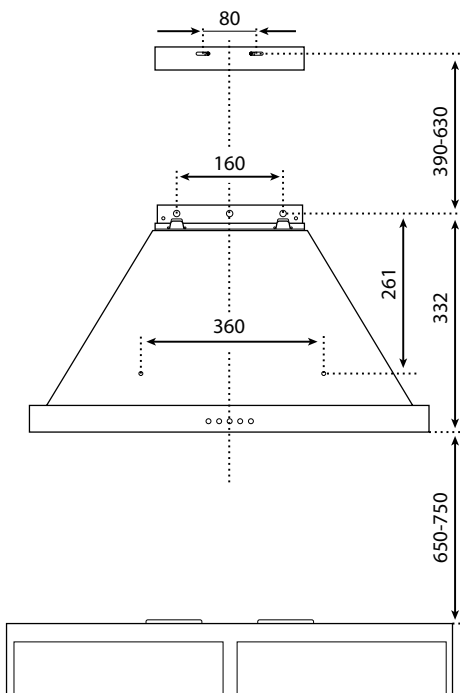
VH60WH/SS
60cm Visor Cooker Hood



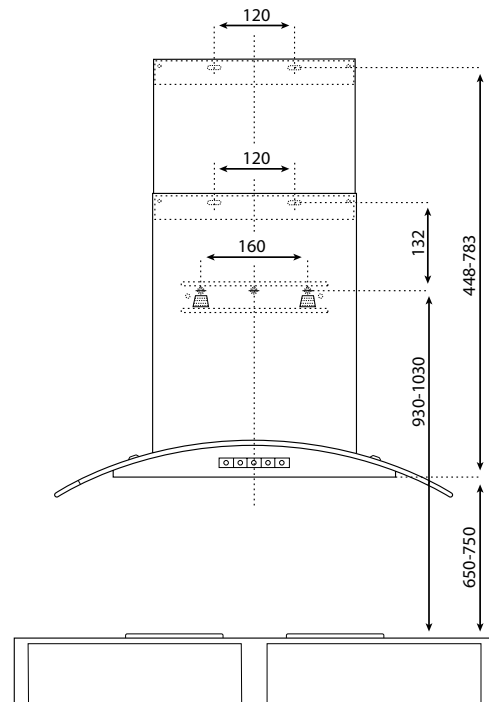
ACH60BL
60cm Angled Glass Chimney Cooker Hood



CHM60SS
60cm Chimney Cooker Hood



CGH60GS
60cm Curved Glass Chimney Cooker Hood



All measurements are in mm unless otherwise stated



CUSTOMER CARE

Reliable • Trustworthy • Dedicated

At Statesman, customer service is at the heart of our business and we aim to exceed the expectations of our customers.

We are passionate about the service we deliver which is why our dedicated customer service advisors receive thorough training and continual development.

This ensures they are able to assist you in a quick and efficient manner.

Our service team are fully trained to help diagnose and troubleshoot with you over the phone, which may prevent you from needlessly wasting time on unnecessary engineer visits.

We offer a free 2 year parts and labour guarantee upon registration which will ensure you have a trouble-free experience.

Sales, Customer Service & Spare Parts

01473 277508

Our service department is open 5 days a week Monday to Friday from 8.30am to 5.00pm



STATESMAN

FRONTLOAD

SAFETY
START
PAUSE
STOP
POWER
ON/OFF
ACQUY 1000

1:55

WASH RINSE SPIN HOLD

38 Bluestem Road, Ransomes Europark, Ipswich, Suffolk, IP3 9RR

Sales, Customer Service & Spare Parts: 01473 277508

sales@statesmanappliances.co.uk

www.statesmanappliances.co.uk